

# YAMAHA

## RD250/400(E)

Baujahr 1978  
RD250 Typ 2R8  
(Typ 2T0)  
RD400 Typ 2R9  
für Europa

Ersatzteile

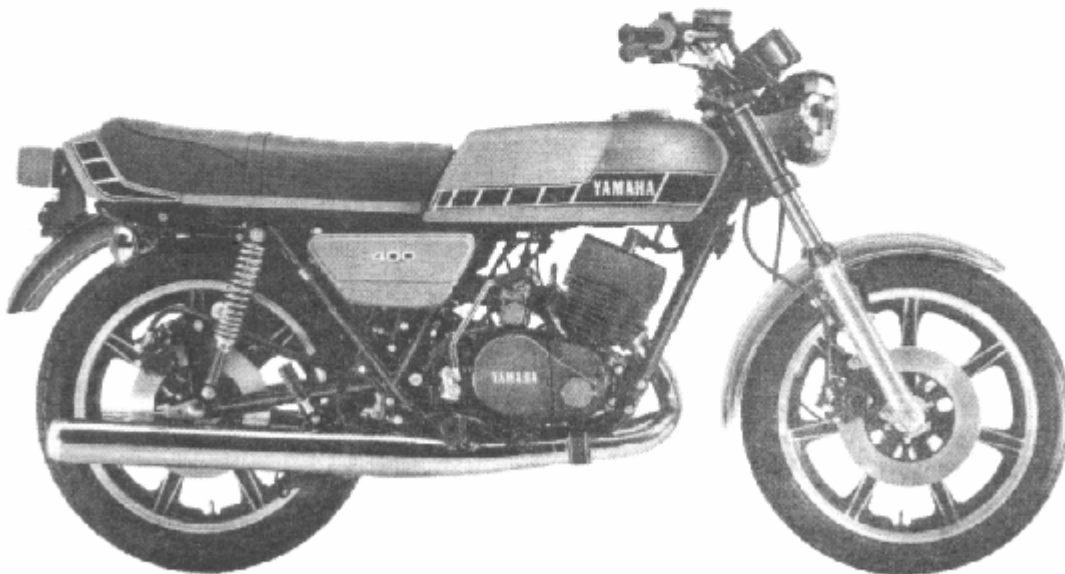
Auflisting mit Bestellnummern

[www.RD400.de](http://www.RD400.de)





RD250('78)



RD400('78)



## CONTENTS

CONTENTS .....	3
<b>ENGINE .....</b>	<b>5</b>
Fig. 1 CYLINDER HEAD - CYLINDER .....	6
Fig. 2 CRANKCASE .....	7
Fig. 3 CRANKCASE COVER .....	8
Fig. 4 CRANK - PISTON (1) .....	9
Fig. 4 CRANK - PISTON (2) .....	10
Fig. 5 CLUTCH .....	11
Fig. 6 TRANSMISSION (1) .....	12
Fig. 6 TRANSMISSION (2) .....	13
Fig. 7 SHIFTER 1 (1) .....	14
Fig. 7 SHIFTER 1 (2) .....	15
Fig. 8 SHIFTER 2 .....	16
Fig. 9 KICK STARTER .....	17
Fig. 10 TACHOMETER GEAR .....	18
Fig. 11 INTAKE (1) .....	19
Fig. 11 INTAKE (2) .....	20
Fig. 12 CARBURETOR (1) .....	21
Fig. 12 CARBURETOR (2) .....	22
Fig. 13 EXHAUST .....	23
Fig. 14 OIL PUMP .....	24
Fig. 15 A. C. GENERATOR .....	25
<b>CHASSIS .....</b>	<b>26</b>
Fig. 16 FRAME (1) .....	27
Fig. 16 FRAME (2) .....	28
Fig. 17 SIDE COVER BOX .....	29
Fig. 18 REAR ARM - REAR CUSHION - CHAIN CASE .....	30
Fig. 19 STAND - FOOTREST (1) .....	31
Fig. 19 STAND - FOOTREST (2) .....	32
Fig. 20 BRAKE PEDAL - MASTER CYLINDER (1) .....	33
Fig. 20 BRAKE PEDAL - MASTER CYLINDER (2) .....	34
Fig. 21 FRONT FENDER - REAR FENDER (1) .....	35
Fig. 21 FRONT FENDER - REAR FENDER (2) .....	36
Fig. 22 FRONT FORK (1) .....	37
Fig. 22 FRONT FORK (2) .....	38
Fig. 23 STEERING .....	39
Fig. 24 HANDLE - WIRE .....	40
Fig. 25 MASTER CYLINDER - BRAKE HOSE (1) .....	41
Fig. 25 MASTER CYLINDER - BRAKE HOSE (2) .....	42
Fig. 26 FUEL TANK (1) .....	43
Fig. 26 FUEL TANK (2) .....	44
Fig. 27 OIL TANK .....	45
Fig. 28 SEAT (1) .....	46
Fig. 28 SEAT (2) .....	47
Fig. 29 FRONT WHEEL (1) (Casting Wheel Type) .....	48
Fig. 29 FRONT WHEEL (2) (Casting Wheel Type) .....	49
Fig. 30 FRONT WHEEL (1) (Spoke Wheel Type - ALTERNATE PARTS: ENGLAND Only) .....	50
Fig. 30 FRONT WHEEL (2) (Spoke Wheel Type - ALTERNATE PARTS: ENGLAND Only) .....	51
Fig. 31 FRONT DISK BRAKE - CALIPER .....	52
Fig. 32 REAR WHEEL (Casting Wheel Type) (1) .....	53
Fig. 32 REAR WHEEL (Casting Wheel Type) (2) .....	54
Fig. 33 REAR WHEEL (1) (Spoke Wheel Type - ALTERNATE PARTS: ENGLAND Only) .....	55
Fig. 33 REAR WHEEL (2) (Spoke Wheel Type - ALTERNATE PARTS: ENGLAND Only) .....	56
Fig. 34 REAR DISK BRAKE - CALIPER .....	57
Fig. 35 HEAD LAMP 1 .....	58
Fig. 36 HEAD LAMP 2 .....	59
Fig. 37 HEAD LAMP 3 .....	60
Fig. 38 SPEEDOMETER - TACHOMETER (1) .....	61
Fig. 38 SPEEDOMETER - TACHOMETER (2) .....	62
Fig. 39 TAIL LAMP .....	63
Fig. 40 FLASHER LAMP 1 .....	64
Fig. 41 FLASHER LAMP 2 .....	65
Fig. 42 ELECTRICAL (1) .....	66
Fig. 43 ELECTRICAL (2) .....	67
<b>REPAIR KIT .....</b>	<b>68</b>
Fig. 44 REPAIR KIT (1) .....	69
Fig. 44 REPAIR KIT (2) .....	71
<b>NUMERICAL INDEX .....</b>	<b>73</b>
NUMERICAL INDEX (1) .....	74
NUMERICAL INDEX (2) .....	75
NUMERICAL INDEX (3) .....	76
NUMERICAL INDEX (4) .....	77
NUMERICAL INDEX (5) .....	78
NUMERICAL INDEX (6) .....	79



Impressum:

H.Novak  
70327 Stuttgart  
**www.RD400.de**

V1.0 30.09.2002  
\*\\t\yam\RD78\_Ersatzteile\RD250\_400\_E\_78\_Ersatzteile.doc#  
Bilder in \*\\T\YAM\RD78\_Ersatzteile\BLD\\*

Dieses Dokument ist unter Berücksichtigung eventueller Rechte dritter anhand originaler Druckschriften von YAMAHA MOTOR CO., LTD erstellt worden. Sollten trotz grösster Sorgfalt eventuelle Fehler entdeckt werden, bitte um Nachricht zur Korrektur an mich.

Es darf als Druckwerk und Kopie wie auch als elektronische Datei unentgeltlich weitergegeben oder verbreitet werden. Es darf hierzu nicht verändert oder erweitert werden. Es darf vor allem **nicht** in irgendeiner Form verkauft oder zu sonstigen gewinnbringenden Zwecken verwendet werden! Zuwiderhandlungen sind mir unverzüglich zu melden.

Dieser Hinweis darf bei der Weitergabe nicht entfernt oder geändert werden.

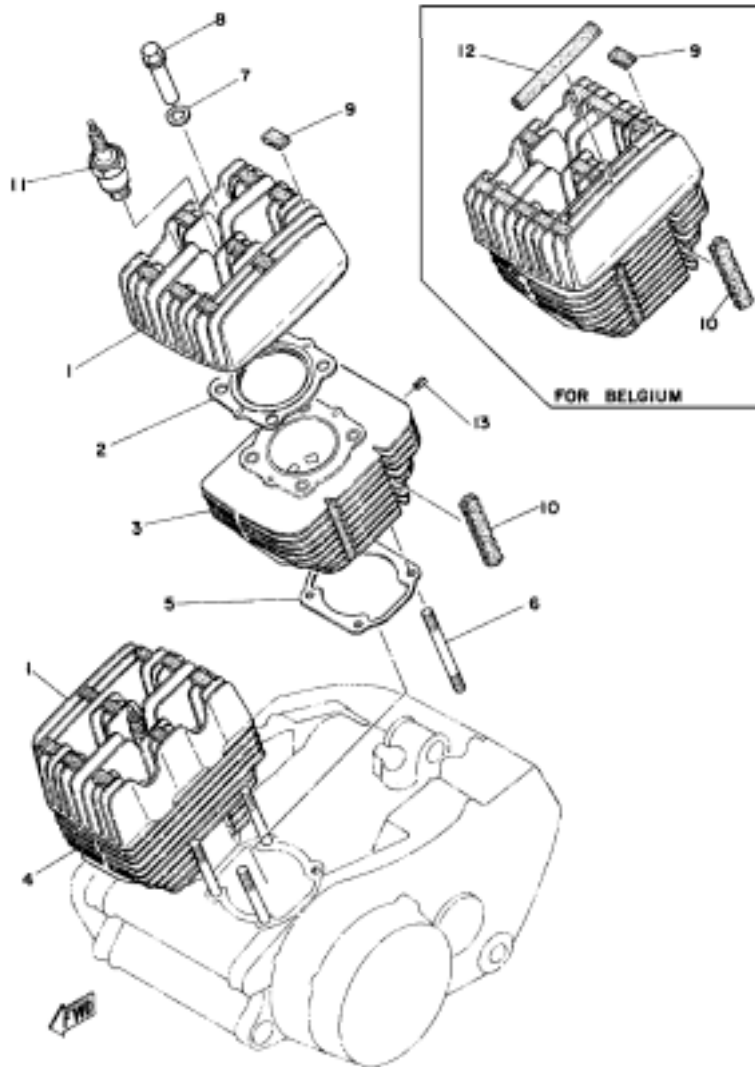


# ENGINE





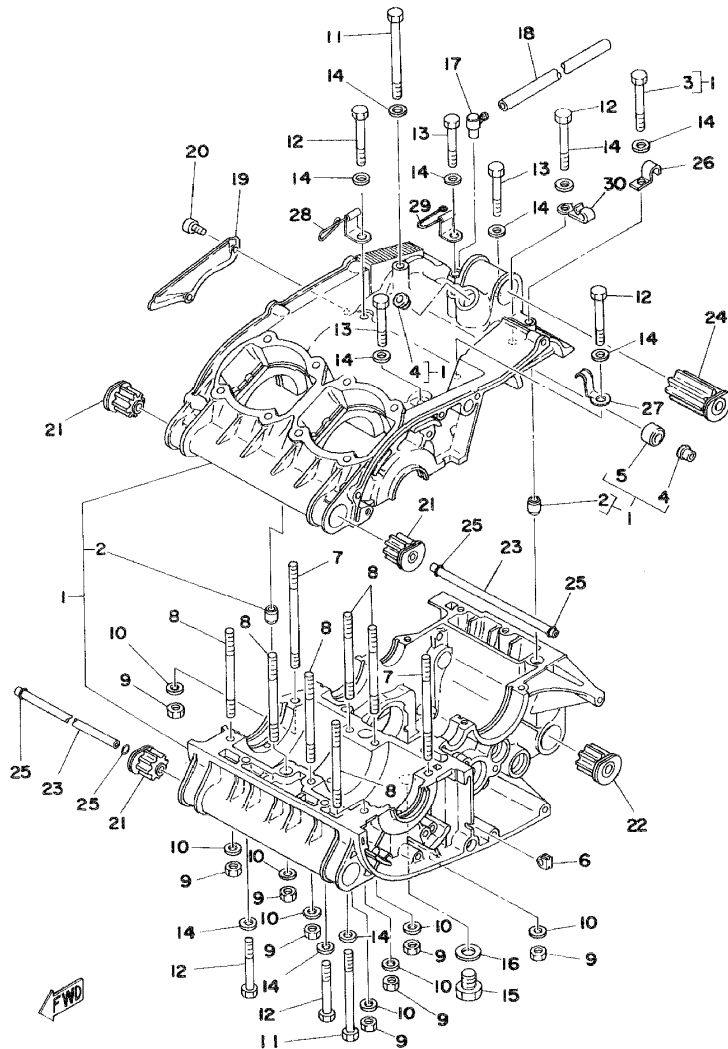
Fig. 1 CYLINDER HEAD - CYLINDER



Ref.No.	Parts No.	Description	Q'ty 250	Q'ty 400	Applicable Machine No.	Remarks
1-1	2R8-11111-00	HEAD, cylinder	2			
	2R9-11111-01	HEAD, cylinder		2		
1-2	1A0-11181-00	GASKET, cylinder head	2			
	1A1-11181-00	GASKET, cylinder head		2		
1-3	2R8-11311-00	CYLINDER, left	1			
1-4	2R9-11311-00	CYLINDER, left		1		
	2R8-11321-00	CYLINDER, right	1			
1-5	2R9-11321-00	CYLINDER, right		1		
	278-11351-01	GASKET, cylinder	2	2		
1-6	90116-08065	BOLT, stud (276-11361-00)	8			
	90116-08232	BOLT, stud		8		
1-7	90201-12362	WASHER, plate (278-11175-00)	8	8		
1-8	90179-08026	NUT (278-11171-00)	8	8		
1-9	521-11161-01	ABSORBER 1	18	18		
	521-11161-01	ABSORBER 1	27	27		For Belgium
1-10	1A0-11162-02	ABSORBER 2	4	4		
1-11	94701-00046	PLUG, spark (B-9ES)	2	2		
	94701-00045	PLUG, spark (B-8ES)		2		For W.Germany
1-12	1A3-11161-10	ABSORBER 1		4		For Belgium
1-13	91609-30010	PIN, spring		2		



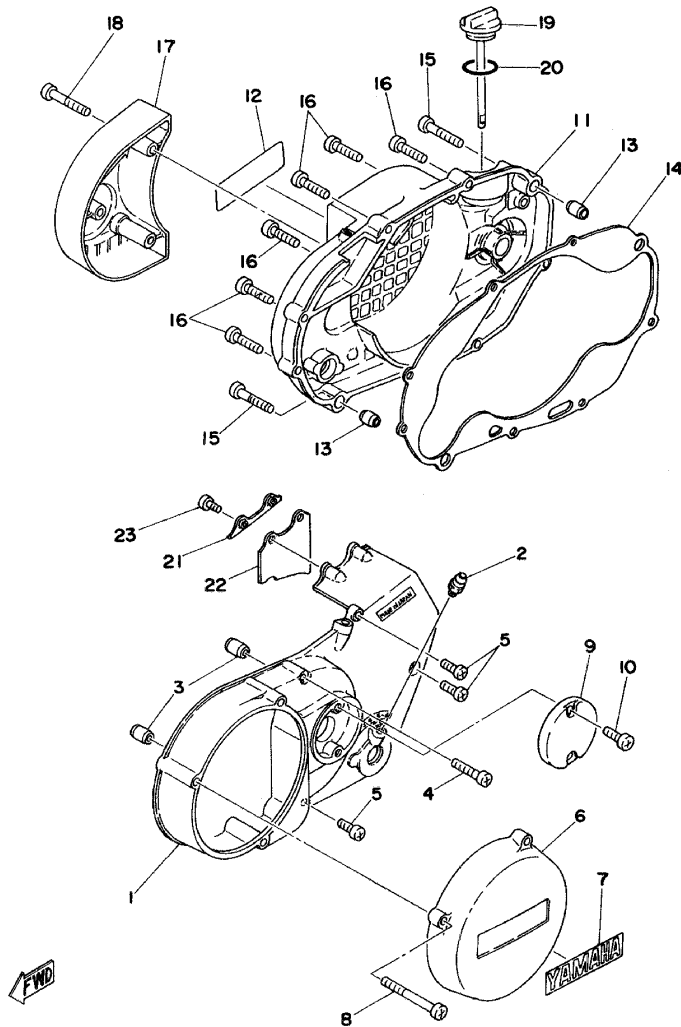
Fig. 2 CRANKCASE



Ref.No.	Parts No.	Description	Q'ty 250	Q'ty 400	Applicable Machine No.	Remarks
2-1	1A0-15100-02	CRANKCASE ASS'Y	1			
	2R9-15100-01	CRANKCASE ASS'Y		1		
2-2	91830-22016	. PIN, dowel (8.4-12-16)	2	2		
2-3	97321-06055	. BOLT, hexagon	1	1		
2-4	90381-08002	. BUSHING	2	2		
2-5	90380-14040	. BUSHING (278-17833-00)	1	1		
2-6	90480-01148	GROMMET (136-82545-00)	1	1		
2-7	90116-08232	BOLT, stud	2	2		
2-8	90116-08064	BOLT, stud (248-11361-00)	6	6		
2-9	95301-08600	NUT, hexagon	8	8		
2-10	92901-08200	WASHER, plain	8	8		
2-11	97321-06090	BOLT, hexagon	1	2		
2-12	97321-06055	BOLT, hexagon	3	5		
2-13	97321-06045	BOLT, hexagon	3	3		
2-14	92901-06200	WASHER, plain	8	11		
2-15	90340-14034	PLUG, drain (431-15351-00)	1	1		
2-16	137-15353-00	GASKET, drain plug (14.5-21-1.5)	1	1		
2-17	498-15371-00	BREATHER	1	1		
2-18	90446-07008	HOSE (248-15373-00 5-150)	1	1		
2-19	278-15492-01	COVER	1	1		
2-20	98501-05010	SCREW, panhead	2	2		
2-21	1A1-15316-00	DAMPER, engine mount		4		
2-22	1A1-15326-00	DAMPER, engine mount		2		
2-23	1A1-15317-00	SPACER, engine mount		2		
2-24	1A1-15336-00	DAMPER, engine mount		2		
2-25	93210-11073	O-RING (2.4-10.8)		4		
2-26	90462-05004	CLAMP (278-15485-00)	1	1		
2-27	90462-06025	CLAMP	1	1		
2-28	90465-06093	CLAMP	1	1		
2-29	90465-06094	CLAMP	1	1		
2-30	90465-08125	CLAMP	1	1		



**Fig. 3 CRANKCASE COVER**

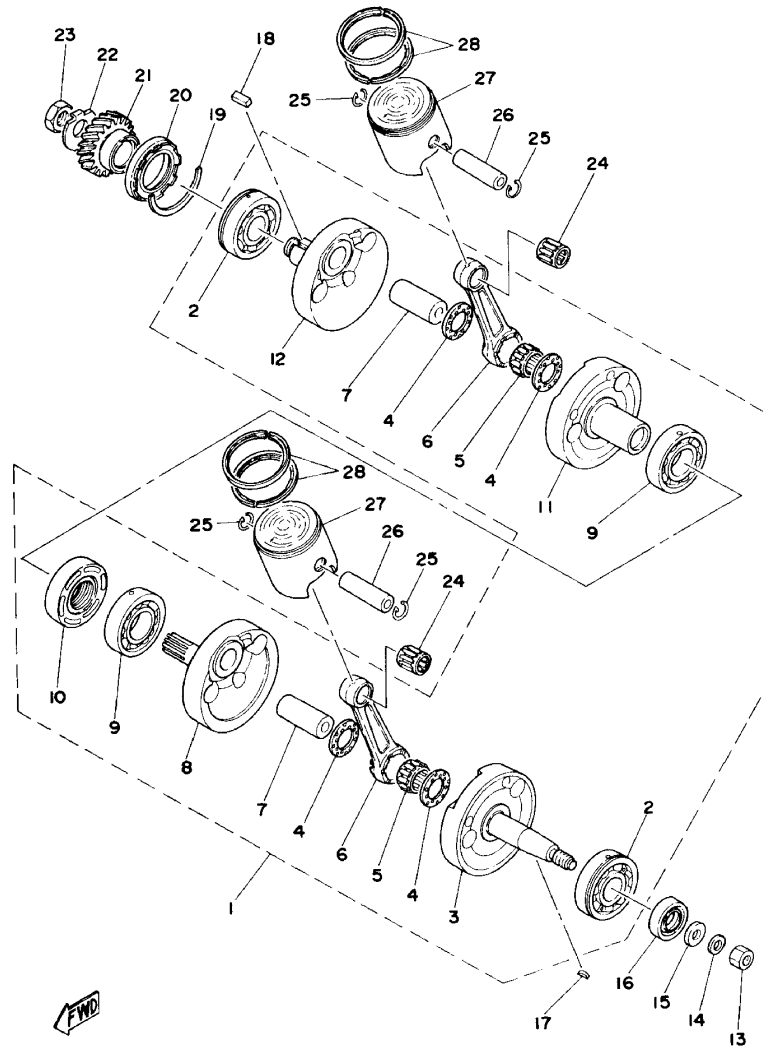


Ref.No.	Parts No.	Description	Q'ty		Applicable Machine No.	Remarks
			250	400		
3-1	1A0-15411-01	COVER, crankcase left	1			
	1A1-15411-01	COVER, crankcase left		1		
3-2	93700-06004	NIPPLE, grease		1		
3-3	91830-22016	PIN, dowel (8.4-12-16)	2	2		
3-4	92506-06035	SCREW, panhead	1	1		
3-5	92506-06020	SCREW, panhead	3	3		
3-6	1A0-15415-00	COVER, generator	1	1		
3-7	1A0-15435-00	EMBLEM	1	1		
3-8	92506-06070	SCREW, panhead	3	3		
3-9	1A0-15417-00	COVER, cap	1	1		
3-10	92506-06020	SCREW, panhead	2	2		
3-11	1A0-15421-00	COVER, crankcase right	1	1		
3-12	1A0-15435-00	EMBLEM	1	1		
3-13	91830-22016	PIN, dowel (8.4-12-16)	2	2		
3-14	1A0-15461-00	GASKET, crankcase cover right	1	1		
3-15	92506-06040	SCREW, panhead	2	2		
3-16	92506-06030	SCREW, panhead	7	7		
3-17	1A0-15416-00	Cover, oil pump	1	1		
3-18	92506-06045	SCREW, panhead	3	3		
3-19	360-15363-01	PLUG, oil level	1	1		
3-20	93210-27194	O-RING (2.5-27)	1	1		
3-21	1A0-15491-00	PROTECTOR, cover	1	1		
3-22	1A0-15497-00	PLATE, dust seal	1	1		
3-23	98506-05012	SCREW, panhead	2	2		





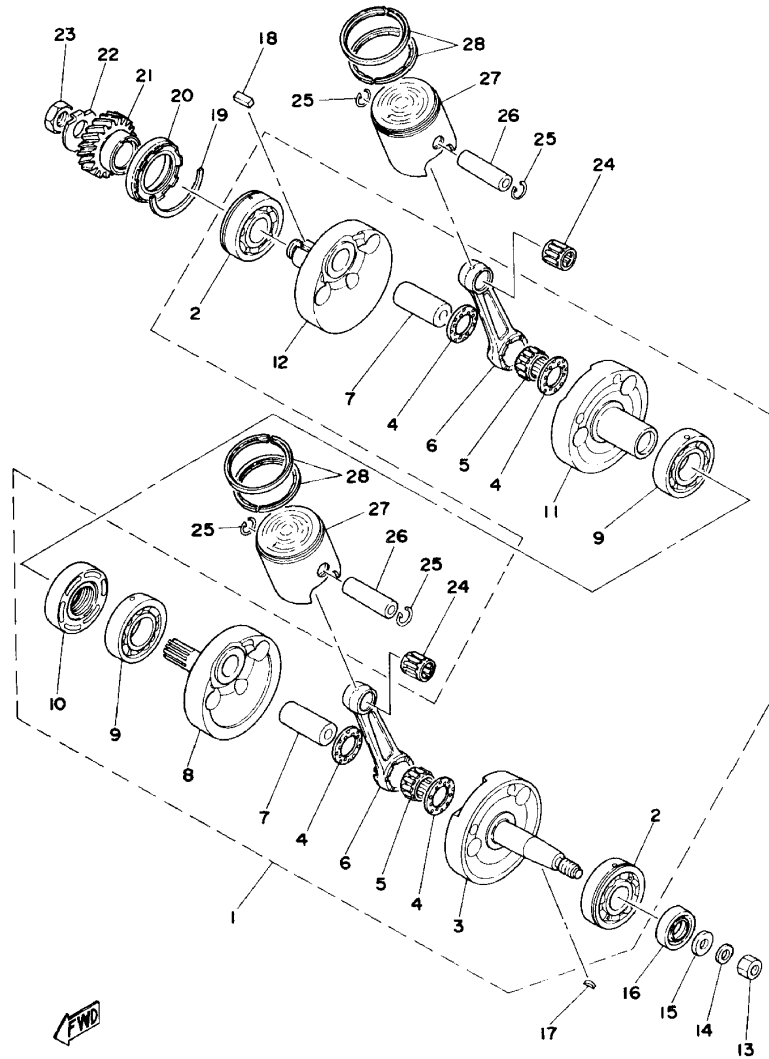
Fig. 4 CRANK - PISTON (1)



Ref.No.	Parts No.	Description	Q'ty 250	Q'ty 400	Applicable Machine No.	Remarks
4-1	2R8-11400-00	CRANK ASS'Y	1			
	2R9-11400-00	CRANK ASS'Y		1		
4-2	93306-30508	. BEARING (B6305)	2	2		
4-3	2R8-11412-00	. CRANK 1, left	1			
	2R9-11412-00	. CRANK 1, left		1		
4-4	90209-22071	. WASHER (164-11685-00)	4	4		
4-5	93310-42231	. BEARING, con-rod big end	2	2		
4-6	2R8-11651-00	. ROD, connecting	2			
	2R9-11651-00	. ROD, connecting		2		
4-7	2R8-11681-00	. PIN, crank	2			
	2R9-11681-00	. PIN, crank		2		
4-8	2R8-11422-00	. CRANK 1, right	1			
	2R9-11422-00	. CRANK 1, right		1		
4-9	93306-20604	. BEARING (B6206)	2	2		
4-10	278-11515-00	. SEAL, labyrinth	1	1		
4-11	2R8-11432-00	. CRANK 2, left	1			
	2R9-11432-00	. CRANK 2, left		1		
4-12	2R8-11442-00	. CRANK 2, right	1			
	2R9-11442-00	. CRANK 2, right		1		
4-13	90170-120667	NUT, hexagon (214-11555-01)	1	1		
4-14	90201-12100	WASHER, plate	1	1		
4-15	90201-12593	WASHER, plate (12.2-22-4)	1	1		
4-16	93103-25108	OIL SEAL	1	1		
4-17	90280-05013	KEY, woodruff	1	1		
4-18	90282-07006	KEY, straight (278-11546-00)	1	1		
4-19	278-17424-00	CIRCLIP	1	1		
4-20	93103-40077	OIL SEAL (SW-40-62-10)	1	1		
4-21	1A0-16111-00	GGEAR, primary drive (21T)	1			
	1A1-16111-00	GGEAR, primary drive (23T)		1		



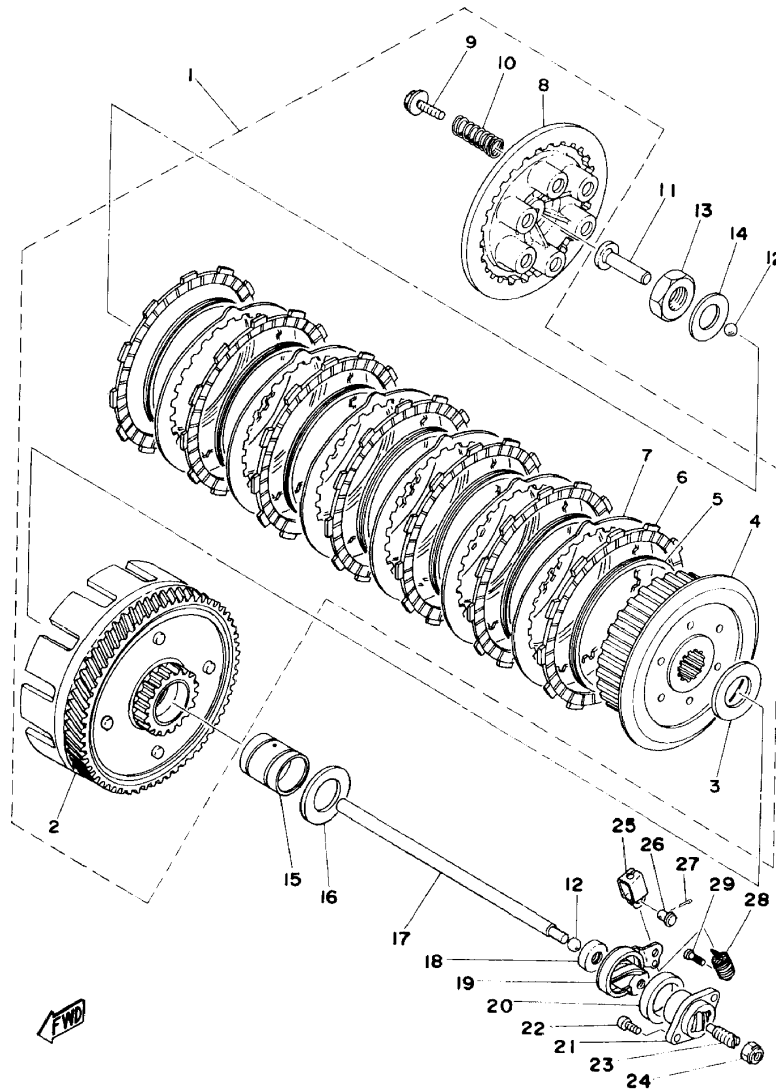
Fig. 4 CRANK - PISTON (2)



Ref.No.	Parts No.	Description	Q'ty 250	Q'ty 400	Applicable Machine No.	Remarks
4-22	90215-18131	WASHER, lock	1	1		
4-23	90170-16182	NUT	1	1		
4-24	93310-216A3	BEARING, con-rod small end	1			
	93310-216E1	BEARING, con-rod small end		1		
4-25	93450-170250	CIRCLIP (137-11634-00)	4	4		
4-26	280-11633-00	PIN, piston	2			
	278-11633-00	PIN, piston		2		
4-27	2R8-11631-00-96	PISTON (53.96mm STD)	U.R.			
	2R8-11631-00-98	PISTON (53.98mm STD)	2			
	2R8-11635-00	PISTON (54.25mm 1st O.S.)	2			Alternate Parts
	2R8-11636-00	PISTON (54.50mm 2nd O.S.)	2			Alternate Parts
	2R8-11637-00	PISTON (54.75mm 3rd O.S.)	2			Alternate Parts
	2R8-11638-00	PISTON (55.00mm 4th O.S.)	2			Alternate Parts
	2R9-11631-00-96	PISTON (63.96mm STD)		U.R.		
	2R9-11631-00-98	PISTON (63.98mm STD)		2		
	2R9-11635-00	PISTON (64.25mm 1st O.S.)		2		Alternate Parts
	2R9-11636-00	PISTON (64.50mm 2nd O.S.)		2		Alternate Parts
	2R9-11637-00	PISTON (64.75mm 3rd O.S.)		2		Alternate Parts
	2R9-11638-00	PISTON (65.00mm 4th O.S.)		2		Alternate Parts
4-28	2R8-11610-00	PISTON RING SET (STD)	2s			
	2R8-11610-10	PISTON RING SET (1st O.S.)	2s			Alternate Parts
	2R8-11610-20	PISTON RING SET (2nd O.S.)	2s			Alternate Parts
	2R8-11610-30	PISTON RING SET (3rd O.S.)	2s			Alternate Parts
	2R8-11610-40	PISTON RING SET (4th O.S.)	2s			Alternate Parts
	1A1-11610-00	PISTON RING SET (STD)		2s		
	1A1-11610-10	PISTON RING SET (1st O.S.)		2s		Alternate Parts
	1A1-11610-20	PISTON RING SET (2nd O.S.)		2s		Alternate Parts
	1A1-11610-30	PISTON RING SET (3rd O.S.)		2s		Alternate Parts
	1A1-11610-40	PISTON RING SET (4th O.S.)		2s		Alternate Parts



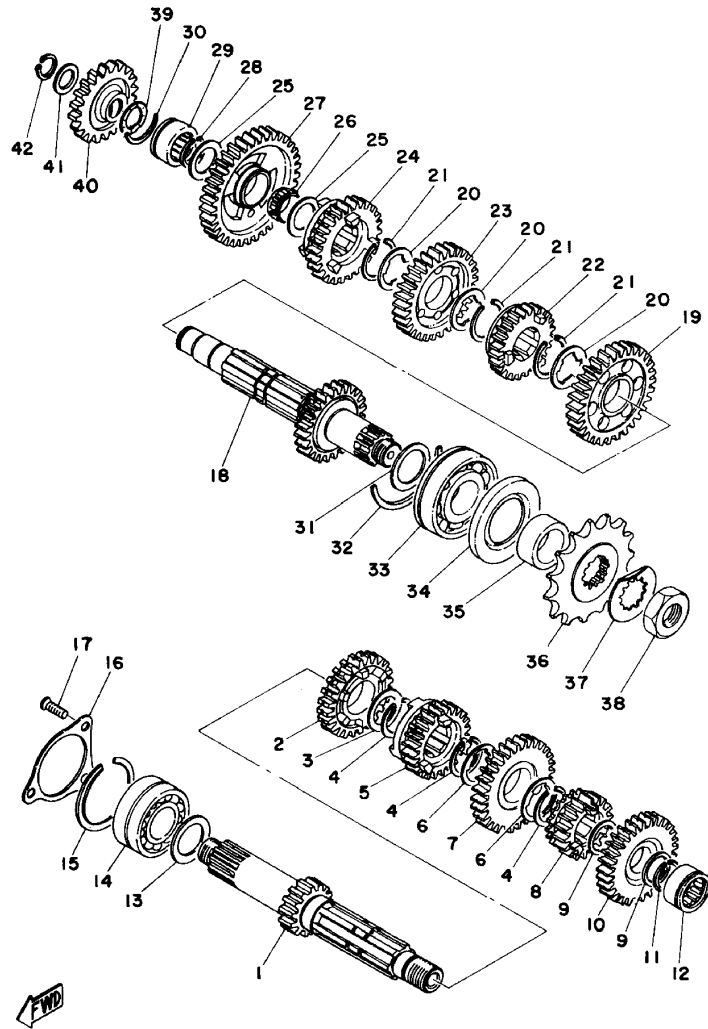
Fig. 5 CLUTCH



Ref.No.	Parts No.	Description	Q'ty	Q'ty	Applicable Machine No.	Remarks
			250	400		
5-1	2R8-16301-00	CLUTCH ASS'Y	1			
	2R9-16301-00	CLUTCH ASS'Y		1		
5-2	2R8-16150-00	. PRIMARY DRIVEN GEAR COMP.	1			68T
	2R9-16150-00	. PRIMARY DRIVEN GEAR COMP.		1		66T
5-3	360-16154-00	. PLATE, thrust (25-50-2)	1	1		
5-4	1A0-16371-00	. BOSS, clutch	1	1		
5-5	278-16367-00	. RING, cushion	7	7		
5-6	360-16321-00	. PLATE, friction	7	7		
5-7	498-16325-00	. PLATE, clutch	6	6		
5-8	1A0-16351-00	. PLATE, pressure	1	1		
5-9	90159-06010	. SCREW, with washer	6	6		
5-10	90501-23138	. SPRING (168-16333-00)	6	6		
5-11	174-16356-00	ROD, push	1	1		
5-12	93505-16006	BALL (5/16 inch)	2	2		
5-13	90170-18089	NUT, hexagon (156-16174-00)	1	1		
5-14	214-16119-00	SPRING, bellevile	1	1		
5-15	278-16181-01	SPACER	1	1		
5-16	360-16154-00	PLATE, thrust (25.2-44-3)	1	1		
5-17	328-16357-00	ROD, push	1	1		
5-18	237-15389-00	SEAL, push rod	1	1		
5-19	360-16340-00	PUSH LEVER ASS'Y	1	1		
5-20	214-16347-01	SEAL, dust	1	1		
5-21	256-16396-01	HOUSING, push screw	1	1		
5-22	98501-05012	SCREW, panhead	2	2		
5-23	90113-08021	BOLT, set (256-16343-01)	1	1		
5-24	90179-08179	NUT	1	1		
5-25	214-16389-00	JOINT	1	1		
5-26	90240-06005	PIN, with hole (214-16379-00)	1	1		
5-27	91401-10010	PIN, cotter	1	1		
5-28	90506-10069	SPRING, tension (360-16345-00)	1	1		
5-29	132-16346-00	HOOK, spring	1	1		



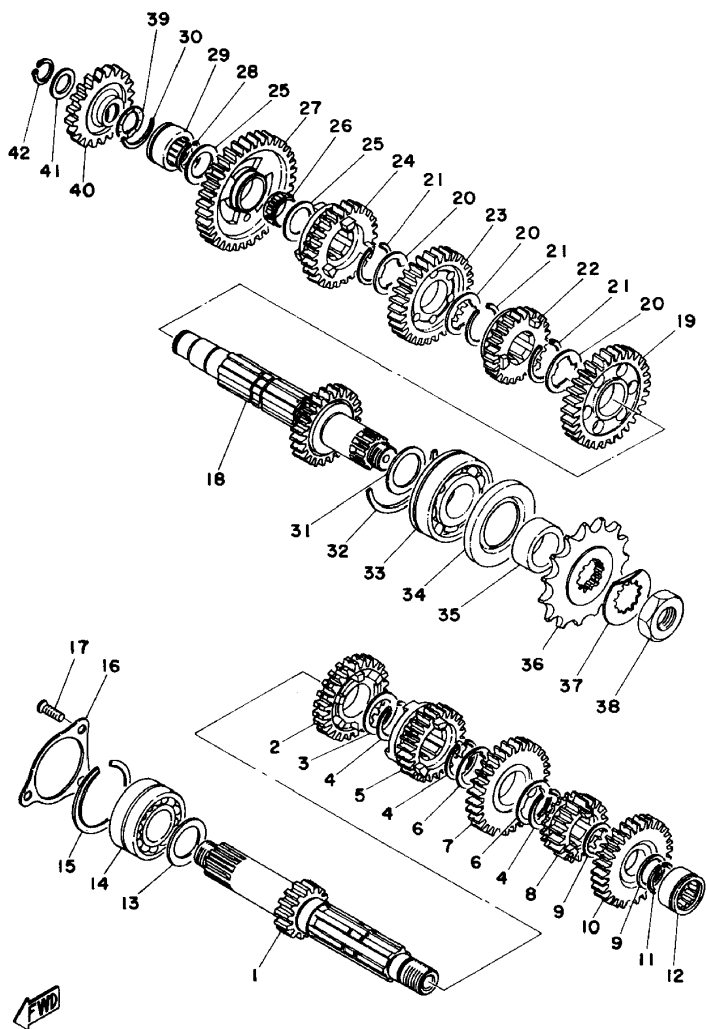
Fig. 6 TRANSMISSION (1)



Ref.No.	Parts No.	Description	Q'ty 250	Q'ty 400	Applicable Machine No.	Remarks
6-1	1A0-17411-00	AXLE, main (14T)	1	1		
6-2	521-17141-00	GEAR, 4th pinion (24T)	1	1		
6-3	90201-25490	WASHER, plate (152-17226-00)	1	1		
6-4	93440-25019	CIRCLIP 25Ø special	3	3		
6-5	1A1-17131-00	GEAR, 3rd pinion (22T)	1	1		
6-6	90209-21105	WASHER, (328-17216-00)	2	2		
6-7	2R8-17161-00	GEAR, 6th pinion (27T)	1	1		
6-8	1A1-17121-00	GEAR, 2nd pinion (18T)	1	1		
6-9	90201-20266	WASHER, plate (132-17216-00)	2	2		
6-10	2R8-17151-00	GEAR, 5th pinion (28T)	1	1		
6-11	93410-20009	CIRCLIP, (S-20)	1	1		
6-12	93311-22005	BEARING	1	1		
6-13	168-17428-01-03	SHIM, drive axle (25-34-0.3)	U.R.	U.R.		
	168-17428-01-05	SHIM, drive axle (25-34-0.5)	1	1		
6-14	93305-20502	BEARING (5205)	1	1		
6-15	93440-52009	CIRCLIP, (52Ø special)	1	1		
6-16	360-17471-00	PLATE, bearing cover	1	1		
6-17	92701-06015	SCREW flathead	3	3		
6-18	1A0-17420-00	DRIVE AXLE ASS'Y (25T)	1	1		
6-19	360-17221-00	GEAR, 2nd wheel (32T)	1	1		
6-20	90209-21105	WASHER (328-17216-00)	3	3		
6-21	93440-25019	CIRCLIP (25Ø special)	3	3		
6-22	521-17261-00	GEAR, 6th wheel (24T)	1	1		
6-23	360-17231-00	GEAR, 3rd wheel (29T)	1	1		
6-24	521-17241-00	GEAR, 4th wheel (26T)	1	1		
6-25	90201-20276	WASHER, plate (328-17116-00)	2	2		
6-26	93310-22057	BEARING	1	1		
6-27	360-17211-00	GEAR, 1st wheel (36T)	1	1		
6-28	93410-20009	CIRCLIP (S-20)	1	1		



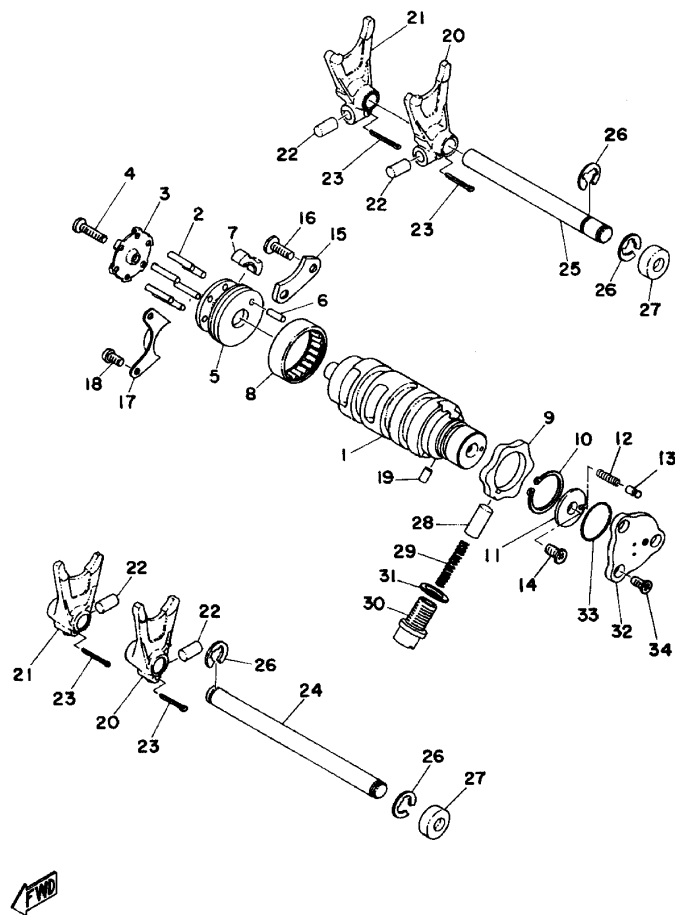
Fig. 6 TRANSMISSION (2)



Ref.No.	Parts No.	Description	Q'ty 250	Q'ty 400	Applicable Machine No.	Remarks
6-29	93311-42032	BEARING	1	1		
6-30	278-17425-00	CIRCLIP	1	1		
6-31	168-17428-01-03	SHIM, drive axle (25-34-0.3)	U.R.	U.R.		
	168-17428-01-05	SHIM, drive axle (25-34-0.5)	1	1		
6-32	278-17424-00	CIRCLIP	1	1		
6-33	93306-30504	BEARING (B6305)	1	1		
6-34	93102-35054	OIL SEAL (SD-35-62-6)	1	1		
6-35	90387-25192	COLLAR (169-17462-00)	1	1		
6-36	1A0-17461-70	SPROCKET, drive (17T)	1			
	1A1-17461-70	SPROCKET, drive (17T)		1		
6-37	90215-21121	WASHER, lock	1	1		
6-38	90179-18020	NUT, lock (152-17463-00)	1	1		
6-39	90206-15055	WASHER, wave	1	1		
6-40	2R8-15651-00	GEAR, sprocket idle (26T)	1	1		
6-41	164-17417-00-10	SHIM, main axle (15.2-20-1)	1	1		
6-42	93410-15005	CIRCLIP (S-15)	1	1		



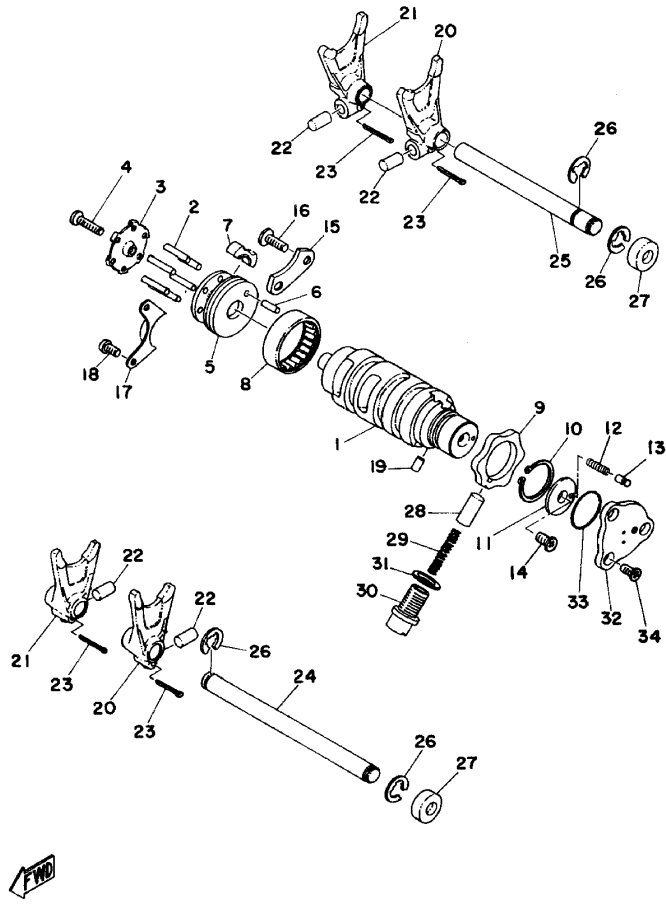
Fig. 7 SHIFTER 1 (1)



Ref.No.	Parts No.	Description	Q'ty	Q'ty	Applicable Machine No.	Remarks
			250	400		
7-1	360-18541-00	CAM, shift	1	1		
7-2	93604-22050	PIN, dowel (4-21.8)	6	6		
7-3	328-18561-00	PLATE, side	1	1		
7-4	98701-05020	SCREW, flathead	1	1		
7-5	328-18185-00	SEGMENT	1	1		
7-6	93604-14012	PIN, dowel (4-13.8)	1	1		
7-7	328-18352-10	PLATE, pawl	1	1		
7-8	93315-23612	BEARING	1	1		
7-9	360-18141-01	PLATE, stopper	1	1		
7-10	93410-30012	CIRCLIP (S-30)	1	1		
7-11	278-18566-00	PLATE, side	1	1		
7-12	90501-06022	SPRING, compression (278-18545-00)	1	1		
7-13	278-18542-00	POINT, neutral	1	1		
7-14	98701-05012	SCREW, flathead	1	1		
7-15	328-18562-00	PLATE, stopper 2	1	1		
7-16	92701-06015	SCREW, flathead	2	2		
7-17	328-18179-00	GUIDE, change lever	1	1		
7-18	98501-05010	SCREW, panhead	2	2		
7-19	93604-08071	PIN, dowel (4-8)	1	1		
7-20	328-18511-00	FORK, shift 1	2	2		
7-21	328-18512-00	FORK, shift 2	2	2		
7-22	90250-08017	PIN (278-18552-00)	4	4		
7-23	91401-25020	PIN, cotter	4	4		
7-24	278-18531-00	BAR, shift fork guide 1	1	1		
7-25	278-18535-00	BAR, shift fork guide 2	1	1		
7-26	93430-10016	CIRCLIP (E-10)	4	4		
7-27	90338-22009	PLUG, blind (278-18149-00)	2	2		
7-28	278-18547-02	STOPPER, cam	1	1		



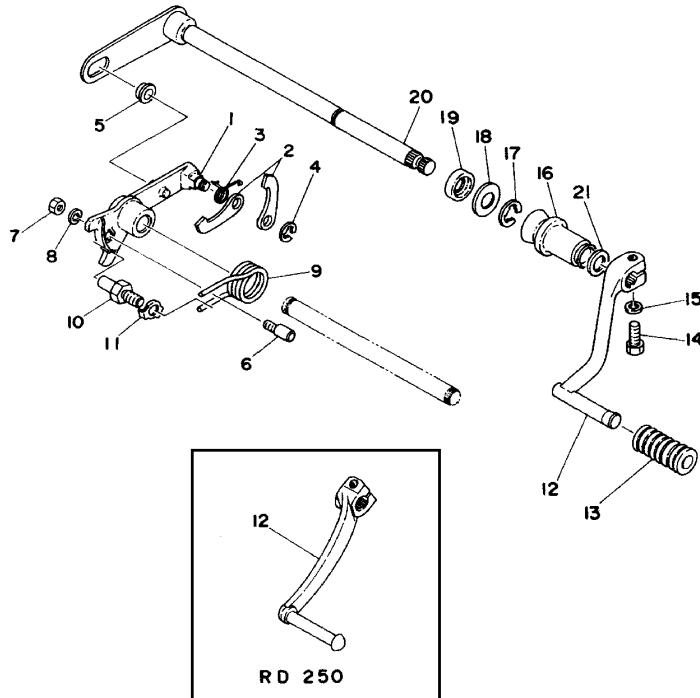
Fig. 7 SHIFTER 1 (2)



Ref.No.	Parts No.	Description	Qty		Applicable Machine No.	Remarks
			250	400		
7-29	90501-10062	SPRING, compression (278-18557-00)	1	1		
7-30	90149-14031	SCREW (278-18577-03)	1	1		
7-31	137-15353-00	GASKET, drain plug	1	1		
7-32	278-82540-01	NEUTRAL SWITCH ASS'Y	1	1		
7-33	93210-29147	O-RING (2.4-29.4)	1	1		
7-34	98701-05012	SCREW, flathead	3	3		



**Fig. 8 SHIFTER 2**

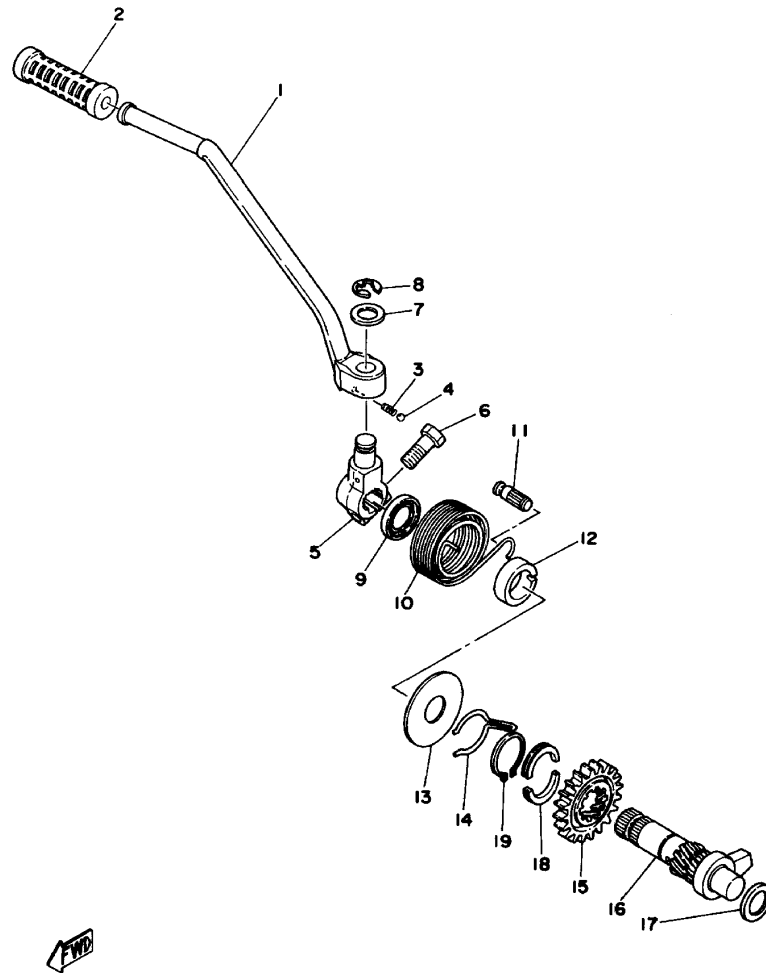


Ref.No.	Parts No.	Description	Q'ty		Applicable Machine No.	Remarks
			250	400		
8-1	2R8-18128-00	BRACKET	1	1		
8-2	328-18151-00	LEVER, change 3	2	2		
8-3	90508-08007	SPRING, torsion (214-18123-00)	1	1		
8-4	93430-07012	CIRCLIP (E-7)	1	1		
8-5	214-18178-00	ROLLER, change lever 1	1	1		
8-6	90149-06017	SCREW (214-18186-00)	1	1		
8-7	95301-06600	NUT, hexagon	1	1		
8-8	92901-06100	WASHER, spring	1	1		
8-9	90508-32055	SPRING, torsion (278-18124-00)	1	1		
8-10	278-18127-00	STOPPER, screw	1	1		
8-11	90215-08015	WASHER, lock (214-18139-02)	1	1		
8-12	2R8-18111-00-93	PEDAL, change	1			
	2R9-18111-00-93	PEDAL, change		1		
8-13	132-18113-01	COVER, change pedal	1	1		
8-14	97311-06020	BOLT, hexagon	1	1		
8-15	92901-06100	WASHER, spring	1	1		
8-16	278-18131-00	BOOT, sealing	1	1		
8-17	93430-10016	CIRCLIP (E-10)	1	1		
8-18	90201-12575	WASHER, plate	1	1		
8-19	93101-12004	OIL SEAL (S-12-22-5)	1	1		
8-20	2R8-18101-00	CHANGE SHAFT ASS'Y	1	1		
8-21	93104-11056	OIL SEAL (SO-12-17-2.5)		1		





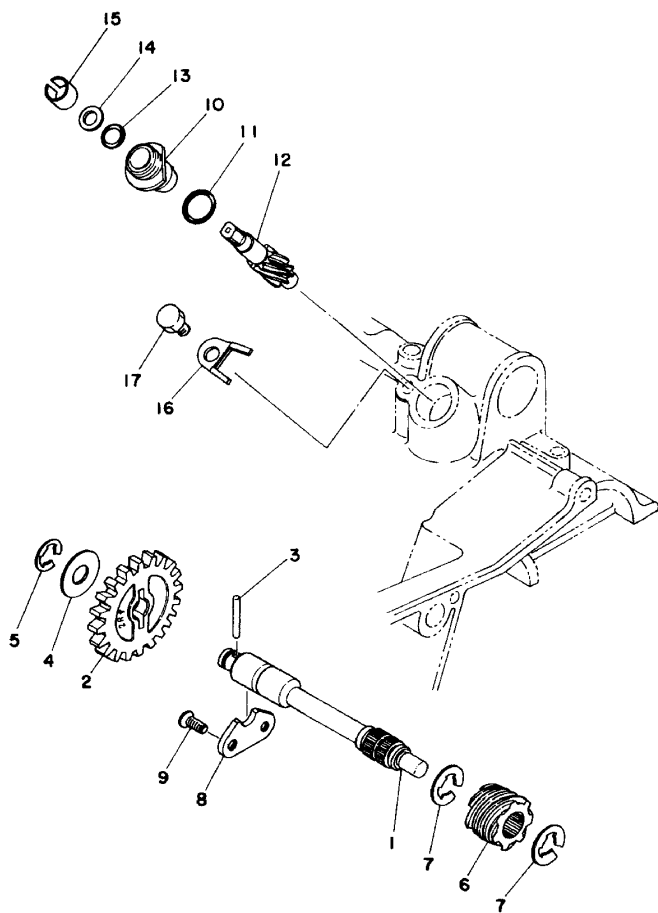
Fig. 9 KICK STARTER



Ref.No.	Parts No.	Description	Q'ty 250	Q'ty 400	Applicable Machine No.	Remarks
9-1	2R8-15611-00-93	CRANK, kick	1	1		
9-2	156-15618-01	COVER, kick lever	1	1		
9-3	90501-12081	SPRING, compression (278-15622-00)	1	1		
9-4	93507-32009	BALL (7/32 inch)	1	1		
9-5	278-15621-00	BOSS, kick crank	1			
	1A1-15621-00	BOSS, kick crank		1		
9-6	97321-08030	BOLT, hexagon	1	1		
9-7	90201-15340	WASHER, plate	1	1		
9-8	93430-10016	CIRCLIP (E-10)	1	1		
9-9	93104-20007	OIL SEAL (SO-20-30-4.5)	1	1		
9-10	90508-30051	SPRING, torsion (278-15665-00)	1	1		
9-11	248-15668-00	STOPPER, kick spring	1	1		
9-12	2R8-15666-00	SPACER	1	1		
9-13	2R8-15676-00	COVER, spring	1	1		
9-14	90468-26091	CLIP	1	1		
9-15	2R8-15641-00	GEAR, kick (22T)	1	1		
9-16	2R8-15660-00	KICK AXLE ASS'Y	1	1		
9-17	136-17417-00-10	SHIM, main axle (17.2-28-1)	1	1		
9-18	248-15654-00	HOLDER, kick gear	2	2		
9-19	93410-30012	CIRCLIP (S-30)	1	1		



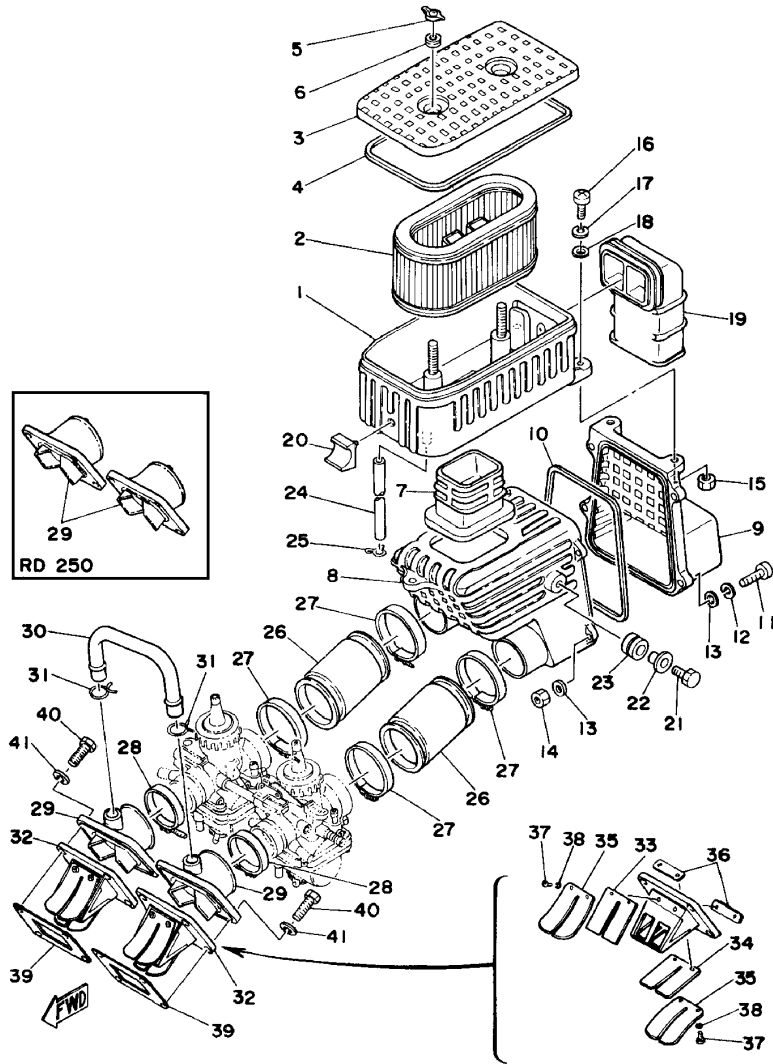
Fig. 10 TACHOMETER GEAR



Ref.No.	Parts No.	Description	Q'ty		Applicable Machine No.	Remarks
			250	400		
10-1	2R8-17861-00	AXLE	1	1		
10-2	2R8-17851-00	GEAR, primary	1			
	2R9-17851-00	GEAR, primary		1		
10-3	93603-22028	PIN, dowel (3-21.8)	1	1		
10-4	90201-10135	WASHER, plate (102-18138-00)	1	1		
10-5	93430-08006	CIRCLIP (E-8)	1	1		
10-6	2R8-17831-00	GEAR, drive	1	1		
10-7	93430-10016	CIRCLIP (E-10)	2	2		
10-8	278-17812-00	STOPPER	1	1		
10-9	98701-05012	SCREW, flathead	2	2		
10-10	214-17811-02	HOUSING	1	1		
10-11	93210-13016	O-RING (1.8-13)	1	1		
10-12	2R8-17841-00	GEAR, driven	1	1		
10-13	353-17816-00	SEAL, housing	1	1		
10-14	214-17847-00	SHIM (7.5-10.8-0.4)	1	1		
10-15	90383-10005	BUSHING (214-17815-00)	1	1		
10-16	214-17812-00	STOPPER	1	1		
10-17	97301-06010	BOLT, hexagon	1	1		



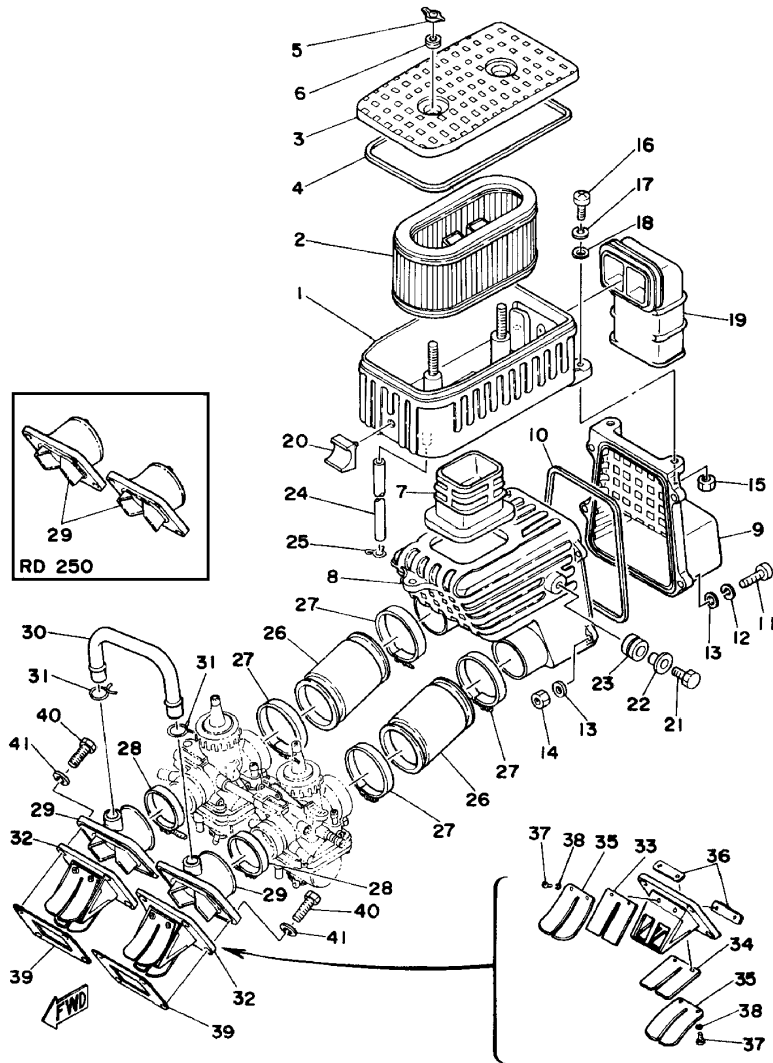
Fig. 11 INTAKE (I)



Ref.No.	Parts No.	Description	Q'ty 250	Q'ty 400	Applicable Machine No.	Remarks
11-1	1A0-14411-00	CASE, air cleaner	1	1		
11-2	1A2-14451-00	ELEMENT, cleaner	1	1		
	1A0-14451-01	ELEMENT, cleaner		1		For Belgium
11-3	1A0-14412-00	CAP, air cleaner	1	1		
11-4	1A0-14457-01	SEAL, air cleaner 1	1	1		
11-5	90175-06012	NUT, wing	2	2		
11-6	90202-05101	WASHER, plate	2	2		
11-7	1A2-14419-00	PIPE	1			
	1A0-14419-01	PIPE		1		
11-8	1A0-14431-00	SILENCER BOX 1	1	1		
11-9	1A0-14441-00	SILENCER BOX 2	1	1		
11-10	1A0-14467-01	SEAL, air cleaner 2	1	1		
11-11	98501-05025	SCREW, panhead	4	4		
11-12	92901-05100	WASHER, spring	4	4		
11-13	92901-05200	WASHER, plain	8	8		
11-14	95301-05600	NUT, hexagon	4	4		
11-15	95301-06600	NUT, hexagon	2	2		
11-16	92501-06020	SCREW, panhead	3	3		
11-17	92901-06100	WASHER, spring	3	3		
11-18	92901-06600	WASHER, plate	3	3		
11-19	1A0-14437-00	DUCT	1	1		
11-20	1A0-14435-01	DAMPER	1	1		
11-21	97301-06020	BOLT, hexagon	2	2		
11-22	90387-07391	COLLAR (437-21633-00)	2	2		
11-23	90480-14102	GROMMET (214-21717-00)	2	2		
11-24	90445-09078	HOSE (132-24311-00 5-190)	2	2		
11-25	90467-08003	CLIP (101-24356-00)	2	2		
11-26	1A0-14453-01	JOINT, air cleaner	2	2		
11-27	90460-49058	CLAMP, hose (278-14455-00)	4	4		



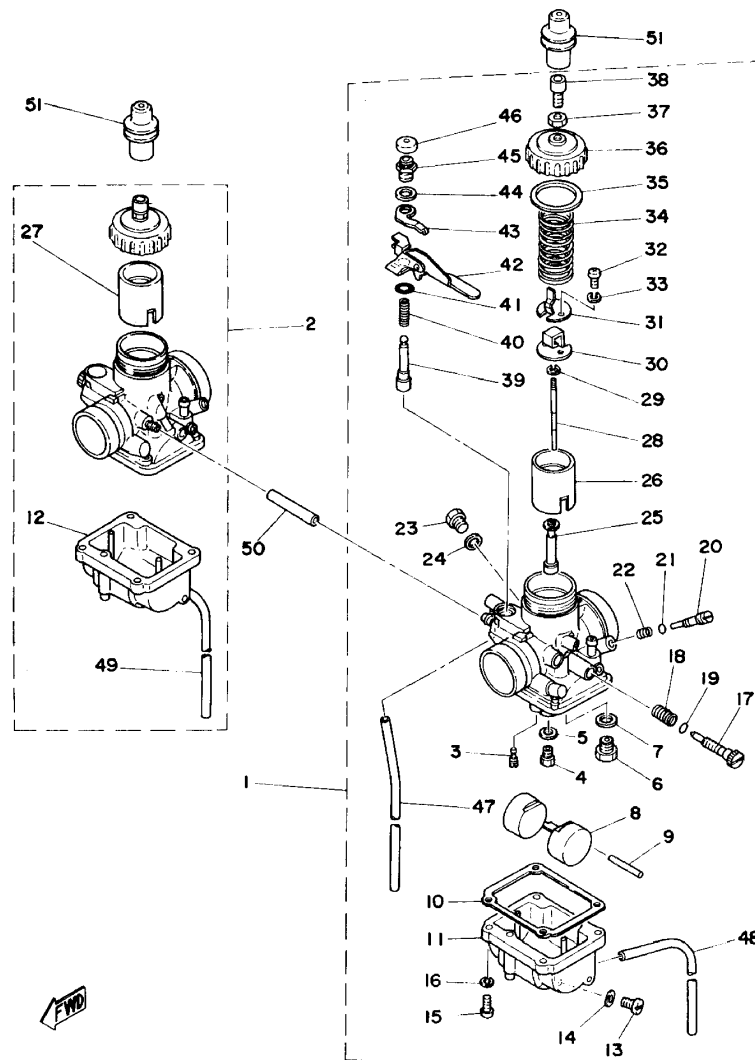
Fig. 11 INTAKE (2)



Ref.No.	Parts No.	Description	Q'ty 250	Q'ty 400	Applicable Machine No.	Remarks
11-28	90460-43053	CLAMP, hose (304-14455-70)	2	2		
11-29	345-13565-71	JOINT, carburetor	2			
	2R9-13565-00	JOINT, carburetor		2		
11-30	2R9-14465-00	PIPE, balance		1		
11-31	90467-15012	CLIP (806-24358-00)		2		
11-32	1A0-13610-00	REED VALVE ASS'Y	2			
	2R9-13610-00	REED VALVE ASS'Y		2		
11-33	1A0-13613-00	. REED, valve	2	2		
11-34	1A0-13613-00	. REED, valve	2			
	2R9-13613-00	. REED, valve		2		
11-35	345-13616-70	. STOPPER, reed valve	4	4		
11-36	1A0-13624-00	. PLATE, reed valve	4	4		
11-37	98502-03010	. SCREW, panhead	8	8		
11-38	92901-03100	. WASHER, spring	8	8		
11-39	1A1-13621-01	PACKING, valve seat	2	2		
11-40	97301-06025	BOLT, hexagon	8	8		
11-41	92901-06600	WASHER, spring	8	8		



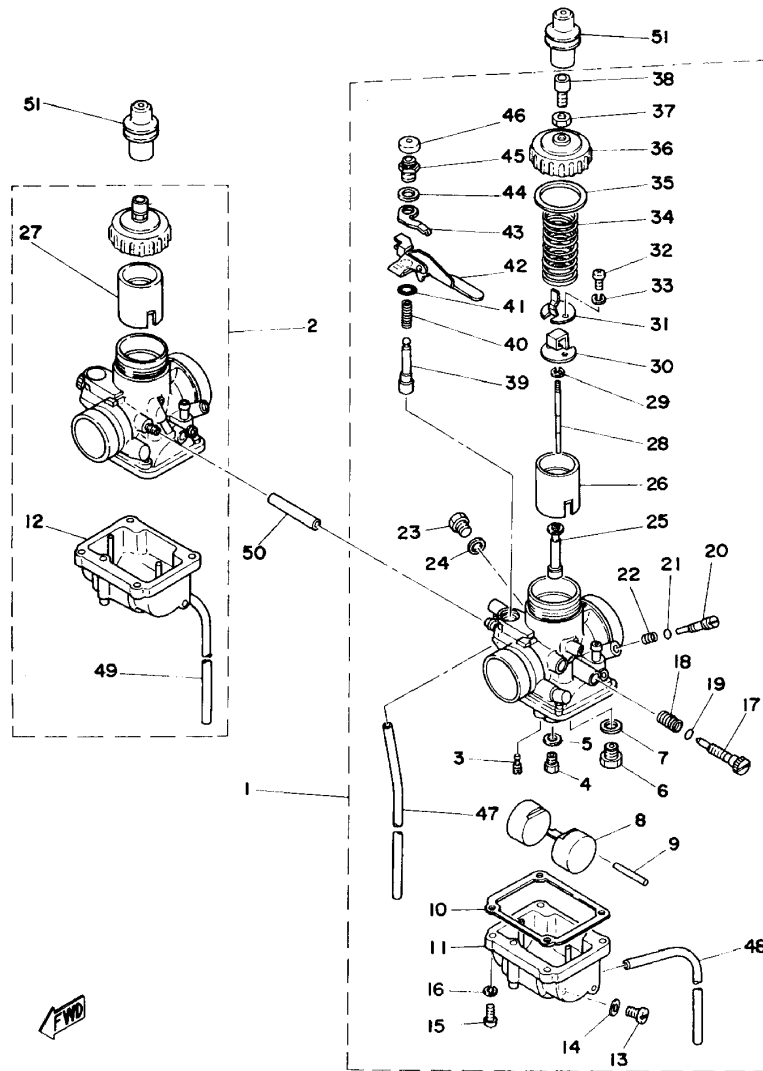
Fig. 12 CARBURETOR (1)



Ref.No.	Parts No.	Description	Q'ty 250	Q'ty 400	Applicable Machine No.	Remarks
12-1	2R8-14101-00	CARBURETOR ASS'Y, left	1			
	2R9-14101-00	CARBURETOR ASS'Y, left		1		
	2R9-14101-10	CARBURETOR ASS'Y, left		1		For Belgium
12-2	2R8-14102-00	CARBURETOR ASS'Y, right	1			
	2R9-14102-00	CARBURETOR ASS'Y, right		1		
	2R9-14102-10	CARBURETOR ASS'Y, right		1		For Belgium
12-3	193-14142-22	. JET, pilot (#22.5)	2			
	193-14142-25	. JET, pilot (#25)		2		
12-4	137-14143-23	. JET, main (#115)	2			
	137-14143-24	. JET, main (#120)		2		For Belgium
	137-14143-29	. JET, main (#145)		2		
12-5	137-14153-00	. WASHER, main jet	2	2		
12-6	168-14190-25	. VALVE SEAT ASS'Y (#2.5)	2	2		
12-7	214-14195-00	. WASHER, valve seat	2	2		
12-8	1A0-14185-00	. FLOAT	2	2		
12-9	127-14186-00	. PIN, float	2	2		
12-10	360-14184-01	. GASKET, float chamber	2	2		
12-11	1A0-14181-14	. BODY, float chamber left	1	1		
12-12	1A0-14183-00	. BODY, float chamber left	1	1		
12-13	266-14191-00	. PLUG, drain	2	2		
12-14	266-14126-00	. PACKING	2	2		
12-15	98501-04016	. SCREW, panhead	8	8		M4x15
12-16	92901-04100	. WASHER, spring	8	8		
12-17	493-14122-00	. SCREW, throttle	2	2		
12-18	493-14133-00	. SPRING, throttle stop	2	2		
12-19	214-14147-00	. O-RING	2	2		
12-20	525-14123-00	. SCREW, air adjusting	2	2		
12-21	354-14147-00	. O-RING	2	2		
12-22	127-14134-00	. SPRING, air adjusting	2	2		
12-23	1A0-14991-00	. PLUG, screw	2	2		
12-24	256-14956-01	. WASHER	2	2		



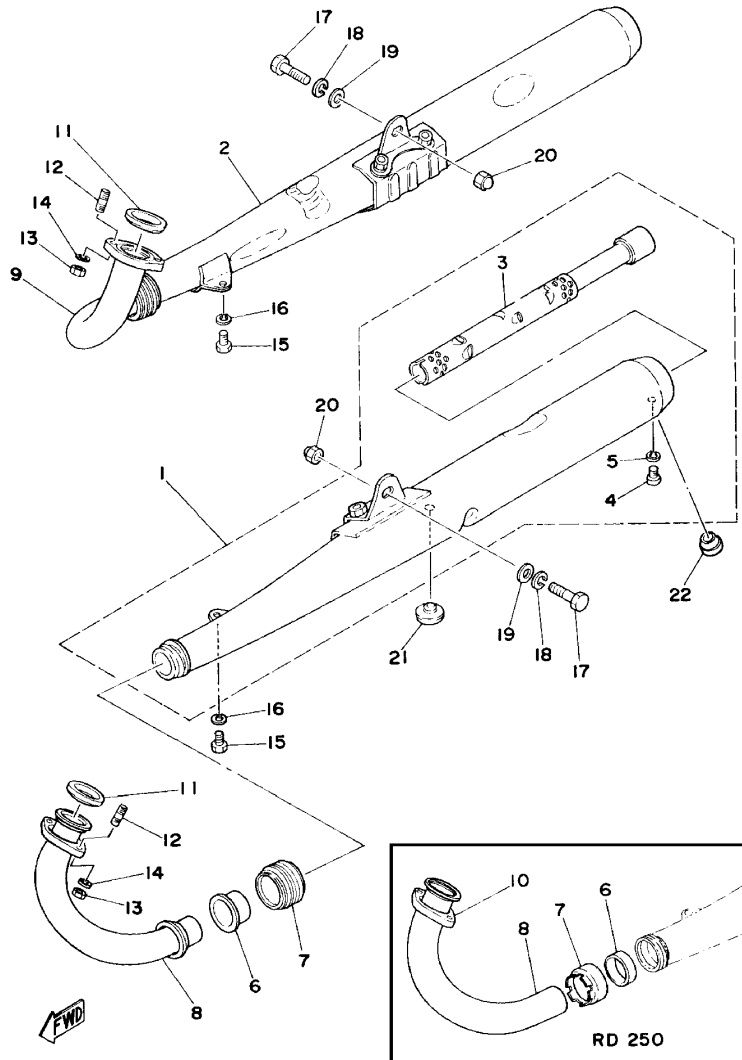
Fig. 12 CARBURETOR (2)



Ref.No.	Parts No.	Description	Q'ty 250	Q'ty 400	Applicable Machine No.	Remarks
12-25	360-14141-38	. NOZZLE, main (0-6)	2			
	2R9-14141-38	. NOZZLE, main (0-8)		2		
12-26	1A0-14112-20	. VALVE, throttle left (#2.0)	1			
	1A0-14112-25	. VALVE, throttle left (#2.5)		1		
12-27	1A0-14112-20	. VALVE, throttle right (#2.0)	1			
	1A0-14112-25	. VALVE, throttle right (#2.5)		1		
	1A0-14113-25	. VALVE, throttle right (#2.5)		1		For Belgium
12-28	522-14116-01	. NEEDLE (5L1-4)	2			
	316-14116-06	. NEEDLE (5J6-3)		2		
12-29	164-14137-00	. CLIP	2	2		
12-30	1A0-14243-00	. PLATE	2	2		
12-31	1A0-14253-00	. PLATE, spring	2	2		
12-32	98502-03010	. SCREW, panhead	4	4		
12-33	92901-03100	. WASHER, spring	4	4		
12-34	360-14131-00	. SPRING, throttle valve	2	2		
12-35	246-14126-00	. PACKING	2	2		
12-36	802-14158-00	. TOP, mixing chamber	2	2		
12-37	802-14161-00	. NUT, wire adjusting	2	2		
12-38	360-14124-20	. SCREW, wire adjusting	2	2		
12-39	1A0-14171-00	. PLUNGER	1	1		
12-40	256-14135-00	. SPRING, plunger	1	1		
12-41	93220-09001	. O-RING	1	1		
12-42	1A0-14175-00	. LEVER, starter left	1	1		
12-43	170-14178-00	. PLATE, starter lever	1	1		
12-44	1A0-14179-00	. WASHER, starter lever	1	1		
12-45	500-14174-00	. CAP, plunger	1	1		
12-46	802-14173-00	. COVER, plunger cap	1	1		
12-47	1A0-14197-00	. HOSE, air vent	2	2		
12-48	1A0-14196-00	. HOSE, overflow left	1	1		
12-49	1A0-14193-00	. HOSE, overflow right	1	1		
12-50	90445-09056	HOSE (360-14485-00)	1	1		
12-51	1A0-14169-00	CAP	2	2		



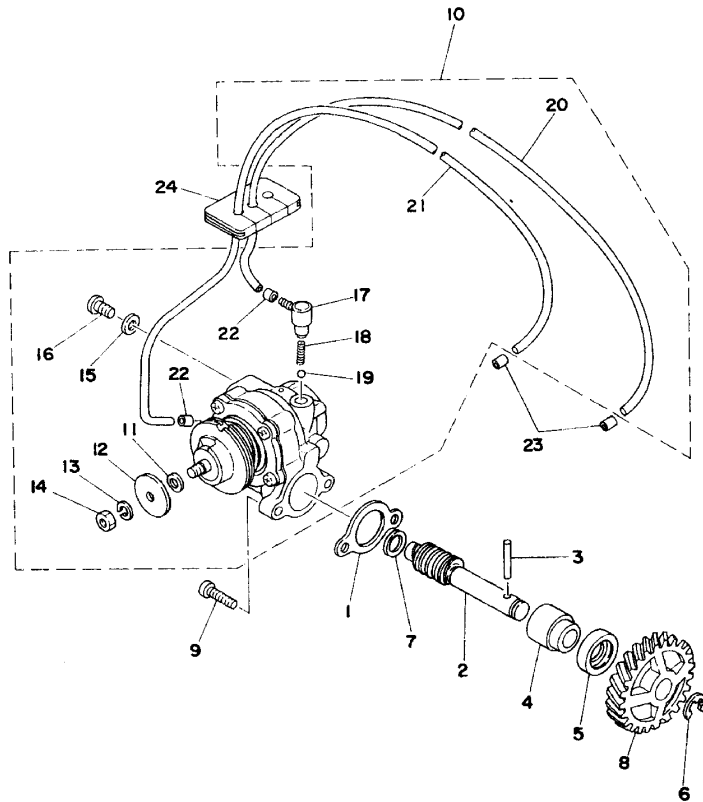
Fig. 13 EXHAUST



Ref.No.	Parts No.	Description	Q'ty	Q'ty	Applicable Machine No.	Remarks
			250	400		
13-1	2R8-14710-00	MUFFLER ASS'Y, left	1			
	2R9-14710-00	MUFFLER ASS'Y, left		1		
13-2	2R8-14720-00	MUFFLER ASS'Y, right	1			
	2R9-14720-00	MUFFLER ASS'Y, right		1		
13-3	521-14753-00	. SILENCER	2	2		
13-4	92501-06010	. SCREW, panhead	2	2		
13-5	92901-06100	. WASHER, spring	2	2		
13-6	2R8-14714-00	GASKET, muffler joint	2			
	2R9-14714-01	GASKET, muffler joint		2		
13-7	2R8-14713-00	NUT, muffler joint	2			
	2R9-14615-00	JOINT, exhaust		2		
13-8	2R8-14611-00	PIPE, exhaust left	1			
	2T0-14611-00	PIPE, exhaust left	1			for W.GERMANY
	2R9-14611-00	PIPE, exhaust left		1		
13-9	2R8-14621-00	PIPE, exhaust right	1			
	2T0-14621-00	PIPE, exhaust right	1			for W.GERMANY
	2R9-14621-00	PIPE, exhaust right		1		
13-10	1A0-14612-01	NUT, ring	2	2		
13-11	1A0-14613-00	GASKET, exhaust pipe	2	2		
13-12	90116-08116	BOLT, stud	4	4		
13-13	95303-08600	NUT, hexagon	4	4		
13-14	92901-08100	WASHER, spring	4	4		
13-15	97301-08014	BOLT, hexagon	2	2		
13-16	92901-08100	WASHER, spring	2	2		
13-17	823-21481-00	BOLT	2	2		
13-18	92901-10100	WASHER, spring	2	2		
13-19	92901-10200	WASHER, plain	2	2		
13-20	95301-10800	NUT, crown	2	2		
13-21	1A0-27114-00	STOPPER, main stand	1	1		
13-22	90480-14153	GROMMET	2	2		



Fig. 14 OIL PUMP

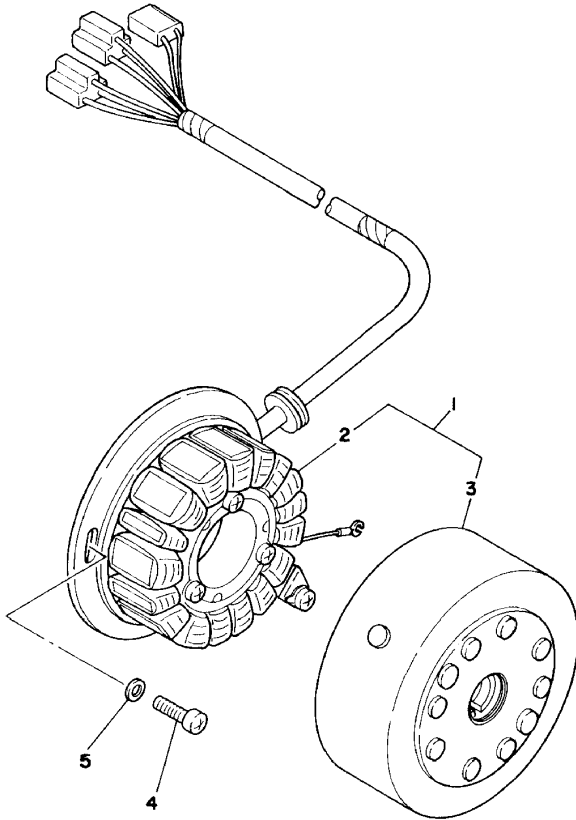


Ref.No.	Parts No.	Description	Q'ty 250	Q'ty 400	Applicable Machine No.	Remarks
14-1	126-13116-00	GASKET, pump case	1	1		
14-2	522-13175-01	SHAFT, worm	1			
	214-13175-02	SHAFT, worm		1		
14-3	93603-22028	PIN, dowel (3-22)	1	1		
14-4	137-13176-00	METAL, worm shaft outer	1	1		
14-5	93101-10002	OIL SEAL (S-10-22-7)	1	1		
14-6	93430-08006	CIRCLIP (E-8)	1	1		
14-7	90201-08624	WASHER, plate (8.2-11-1.0)	1	1		
14-8	1A0-13178-00	GEAR, pump drive (22T)	1			
	1A1-13178-00	GEAR, pump drive (21T)		1		
14-9	98501-05016	SCREW, panhead	2	2		
14-10	1A0-13101-01	OIL PUMP ASS'Y	1			
	2R9-13101-00	OIL PUMP ASS'Y		1		
14-11	137-13137-00-03	. SHIM, plunger (5.8-10-0.3)	U.R.	U.R.		
	137-13137-00-05	. SHIM, plunger (5.8-10-0.5)	1	1		
14-12	137-13138-01	. PLATE, adjusting	1	1		
14-13	92901-05100	. WASHER, spring	1	1		
14-14	95301-05600	. NUT, hexagon	1	1		
14-15	90430-04004	. GASKET (137-13187-00)	1	1		
14-16	98901-04008	. SCREW, bind	1	1		
14-17	353-13552-01	. NOZZLE	2	2		
14-18	278-13169-00	. SPRING, compression	2	2		
14-19	93505-32002	. BALL (5/32 inch)	2	2		
14-20	90445-05302	. HOSE (3-420)	1	1		
14-21	90445-05301	. HOSE (3-240)	1	1		
14-22	90468-02033	. CLIP (214-13164-00)	2	2		
14-23	90468-02033	CLIP (214-13164-00)	2	2		
14-24	278-13174-00	HOLDER, oil pipe	1	1		





Fig. 15 A. C. GENERATOR



Ref.No.	Parts No.	Description	Q'ty	Q'ty	Applicable	Remarks
			250	400		
15-1	2R8-81400-50	A. C. GENERATOR ASS'Y	1	1		
15-2	2R8-81410-50	. STATOR ASS'Y	1	1		
15-3	2R8-81450-50	. ROTOR ASS'Y	1	1		
15-4	90153-06007	SCREW (341-22331-00)	2	2		
15-5	90201-06045	WASHER, plate (6-14-2)	2	2		

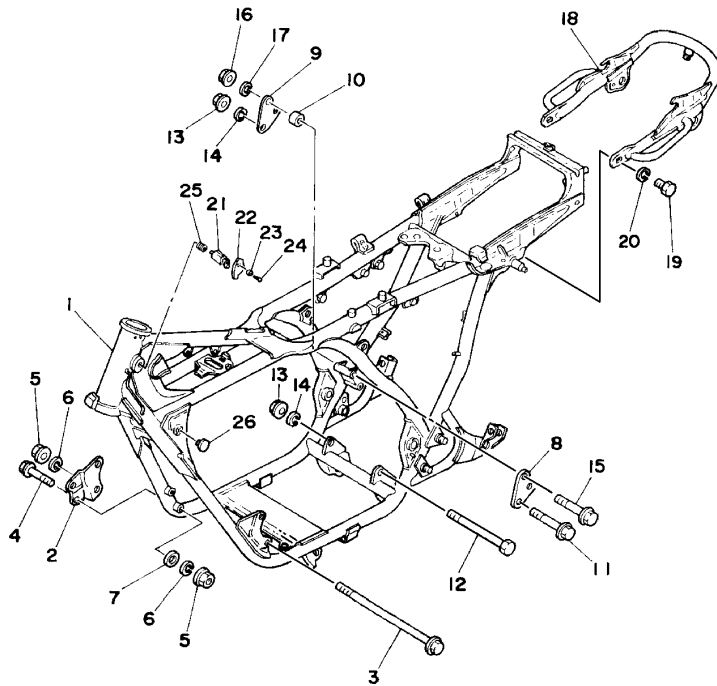


# CHASSIS





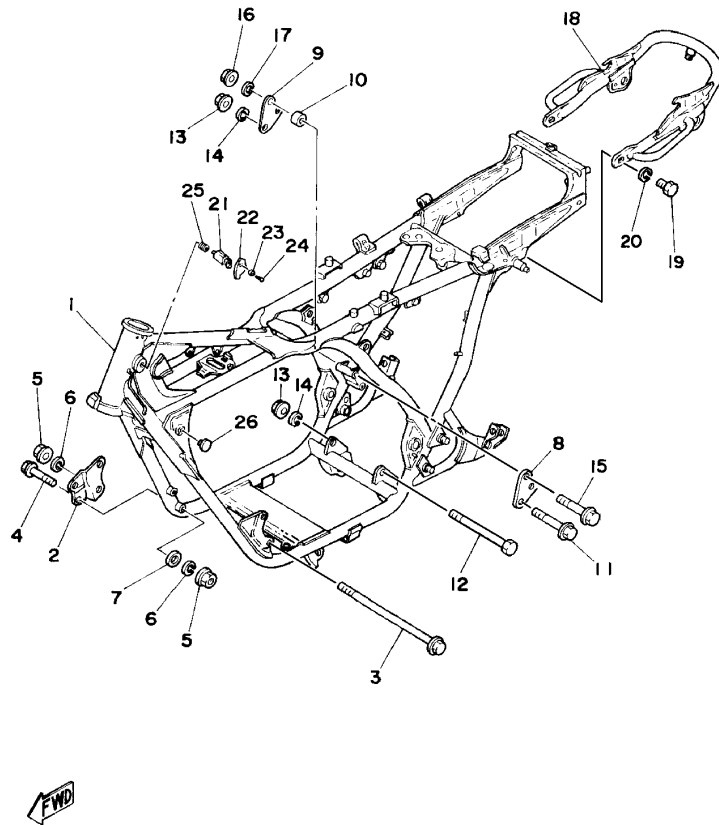
Fig. 16 FRAME (1)



Ref. No.	Parts No.	Description	Q'ty 250	Q'ty 400	France	Holland	W.Germany	Switzerland	Belgium	Sweden	Finland	Denmark	Norway	Austria	England	Italy	Remarks
16-1	2R8-21110-00-33	FRAME COMP.	1	1		x							x	x	x	x	Yamaha Black
	2R8-21110-20-33	FRAME COMP.	1	1				x	x								Yamaha Black
	2R8-21110-30-33	FRAME COMP.	1	1	x												Yamaha Black
	2R8-21110-40-33	FRAME COMP.	1	1			x										Yamaha Black
	2R8-21110-80-33	FRAME COMP.	1	1						x							Yamaha Black
16-2	1A0-21317-00-33	STAY, engine 3	1	1	x	x	x	x	x	x			x	x	x	x	Yamaha Black
16-3	90105-08033	BOLT	2	2	x	x	x	x	x	x			x	x	x	x	
16-4	95821-08055	BOLT, flange	2	2	x	x	x	x	x	x			x	x	x	x	
16-5	95701-08100	NUT, flange	4	4	x	x	x	x	x	x			x	x	x	x	
16-6	92901-08100	WASHER, spring	4	4	x	x	x	x	x	x			x	x	x	x	
16-7	92901-08200	WASHER, plain	2	2	x	x	x	x	x	x			x	x	x	x	
16-8	1A0-21315-00	STAY, engine rear upper left	1		x	x	x	x	x				x	x	x		
	1A1-21315-00	STAY, engine rear upper left	1		x	x	x	x	x				x	x	x		
16-9	1A0-21316-00	STAY, engine rear upper right	1		x	x	x	x	x				x	x	x		
	1A1-21315-00	STAY, engine rear upper right	1		x	x	x	x	x				x	x	x		
16-10	90387-10516	COLLAR	1		x	x	x	x	x				x	x	x		
16-11	95821-10080	BOLT, flange	1		x	x	x	x	x	x			x	x	x		
	95821-10070	BOLT, flange	1		x	x	x	x	x	x			x	x	x		
16-12	90101-10313	BOLT	1	1	x	x	x	x	x	x			x	x	x		
16-13	95701-10100	NUT, flange	2	2	x	x	x	x	x	x			x	x	x		
16-14	92901-10100	WASHER, spring	2	2	x	x	x	x	x	x			x	x	x		
16-15	95821-08070	BOLT, flange	2	2	x	x	x	x	x	x			x	x	x		
16-16	95701-08100	NUT, flange	2	2	x	x	x	x	x	x			x	x	x		
16-17	92901-08100	WASHER, spring	2	2	x	x	x	x	x	x			x	x	x		
16-18	1A0-21645-10	STAY, rear	1	1	x	x	x	x	x	x			x	x	x		
16-19	97301-08020	BOLT, hexagon	2	2	x	x	x	x	x	x			x	x	x		
16-20	92901-08100	WASHER, spring	2	2	x	x	x	x	x	x			x	x	x		



Fig. 16 FRAME (2)

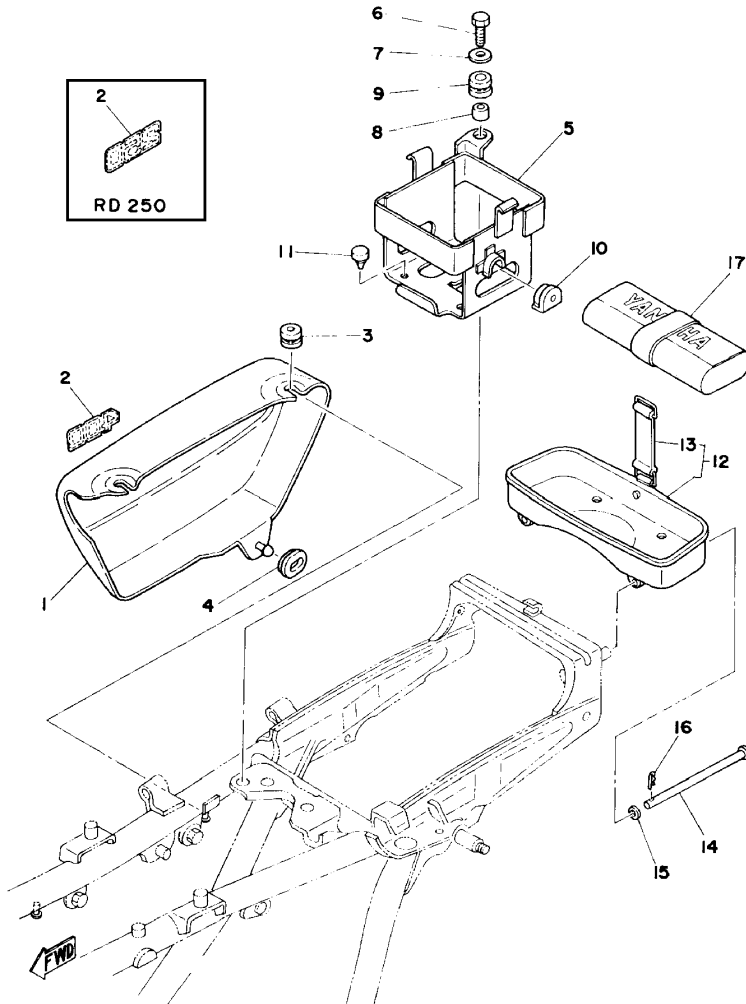


Ref.No.	Parts No.	Description	Q'ty 250	Q'ty 400	France	Holland	W.Germany	Switzerland	Belgium	Sweden	Finland	Denmark	Norway	Austria	England	Italy	Rest of Europe
16-21	1A0-23408-00	STEERING LOCK ASS'Y	1	1			x	x	x						x	x	x
	*	STEERING LOCK ASS'Y	1	1	x		x			x							
16-22	584-23484-00	CAP, handle lock	1	1	x		x	x					x		x	x	x
	134-23484-10	CAP, handle lock	1	1	x		x			x							
16-23	90206-04003	WASHER, wave (214-23488-00)	1	1	x	x	x	x	x	x			x		x	x	x
16-24	90269-04003	RIVET (214-23483-00)	1	1	x	x	x	x	x				x		x	x	x
16-25	90502-09024	SPRING, conical	1	1			x	x	x					x		x	x
	*	SPRING	1	1	x		x			x							
16-26	90338-04010	PLUG	2	2	x	x	x	x	x	x			x		x	x	x

\* The parts marked with \* in the part No. Column are not supplied with by Yamaha, those have to be found locally



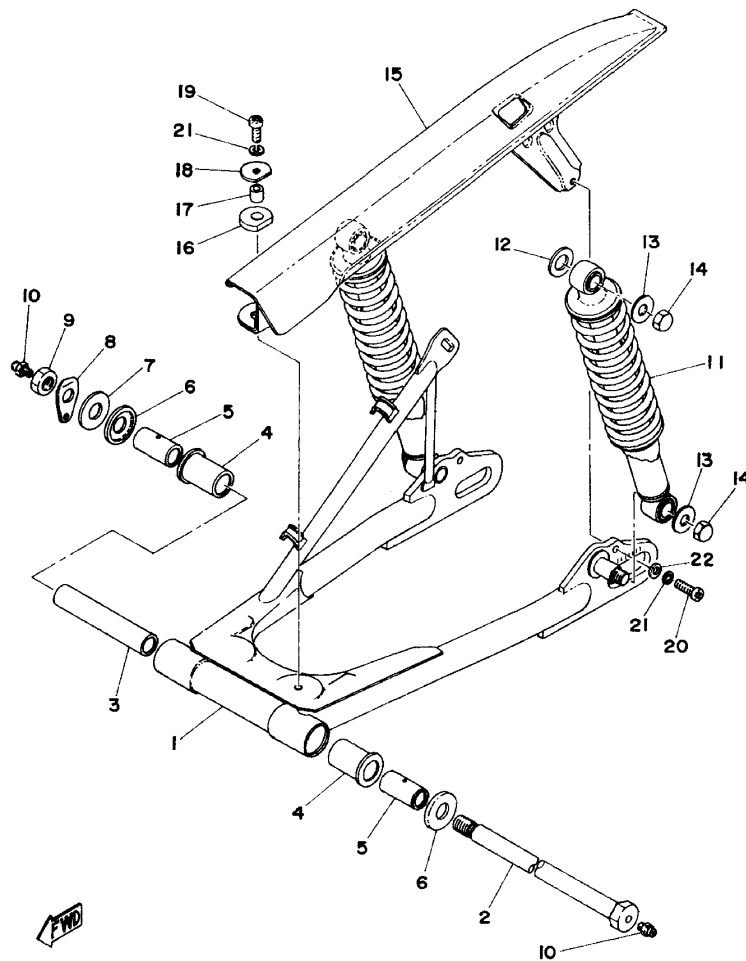
Fig. 17 SIDE COVER BOX



Ref. No.	Parts No.	Description	Q'ty 250	Q'ty 400	France	Holland	W.Germany	Switzerland	Belgium	Sweden	Finland	Denmark	Norway	Austria	England	Italy	Remarks
17-1	1A1-21721-00-H6	COVER, side	1	1	x	x	x	x	x	x	x	x	x	x	x	x	Macho Maroon
	1A1-21721-00-20	COVER, side	1	1	x	x	x	x	x	x	x	x	x	x	x	x	Cristal Silver
	1A1-21721-00-36	COVER, side	1	1	x	x	x	x	x	x	x	x	x	x	x	x	Clean White
	1A1-21721-00-75	COVER, side	1	1	x	x	x	x	x	x	x	x	x	x	x	x	Marin Blue
17-2	2R8-21781-00	EMBLEM, 250	1		x	x	x	x	x				x	x	x		
	2R9-21781-00	EMBLEM, 400		1	x	x	x	x	x				x	x	x		
17-3	90480-12053	GROMMET	2	2	x	x	x	x	x	x	x	x	x	x	x	x	
17-4	90480-01141	GROMMET (371-21747-00)	1	1	x	x	x	x	x	x	x	x	x	x	x	x	
17-5	1A0-21170-01-33	BOX COMP., battery	1	1	x	x	x	x	x	x	x	x	x	x	x	x	Yamaha Black
17-6	97301-06025	BOLT, hexagon	1	1	x	x	x	x	x	x	x	x	x	x	x	x	
17-7	90201-06380	WASHER, plate (6.5-20-1.6)	1	1	x	x	x	x	x	x	x	x	x	x	x	x	
17-8	90387-07390	COLLAR	1	1	x	x	x	x	x	x	x	x	x	x	x	x	
17-9	90480-14102	GROMMET (214-21717-00)	1	1	x	x	x	x	x	x	x	x	x	x	x	x	
17-10	1A0-21746-01	DAMPER, battery box	2	2	x	x	x	x	x	x	x	x	x	x	x	x	
17-11	141-21717-00	DAMPER, side cover	4	4	x	x	x	x	x	x	x	x	x	x	x	x	
17-12	1A0-21107-00	TOOL BOX COMP.	1	1	x	x	x	x	x	x	x	x	x	x	x	x	
17-13	116-82131-00	BAND, tool	1	1	x	x	x	x	x	x	x	x	x	x	x	x	
17-14	91701-05120	PIN, clevis	2	2	x	x	x	x	x	x	x	x	x	x	x	x	
17-15	92901-05600	WASHER, plate	2	2	x	x	x	x	x	x	x	x	x	x	x	x	
17-16	90468-10050	CLIP (156-83525-00)	2	2	x	x	x	x	x	x	x	x	x	x	x	x	
17-17	2R8-28100-10	TOOL ASS'Y	1	1	x	x	x	x	x	x	x	x	x	x	x	x	



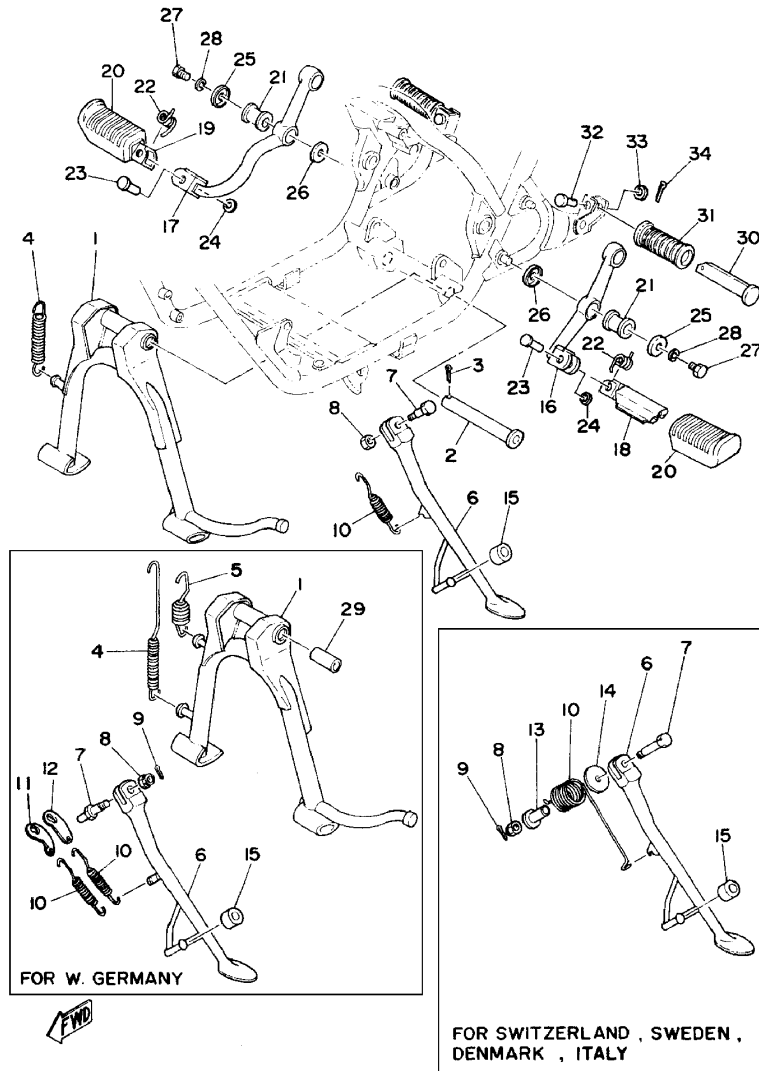
Fig. 18 REAR ARM - REAR CUSHION - CHAIN CASE



Ref.No.	Parts No.	Description	Q'ty	Q'ty	Applicable Machine No.	Remarks
			250	400		
18-1	2R8-22110-00-33	REAR ARM COMP.	1	1		Yamaha black
18-2	2R8-22141-00	SHAFT, pivot	1	1		
18-3	90387-16128	COLLAR (150-22126-00)	1	1		
18-4	90386-22018	BUSHING (148-22123-00)	2	2		
18-5	90387-16226	COLLAR (150-22124-00)	2	2		
18-6	1A0-22128-00	COVER, thrust	2	2		
18-7	240-22127-00	SHIM, rear arm	U.N.	U.N.		
18-8	1A0-22149-00	WASHER, lock	1	1		
18-9	90170-14174	NUT	1	1		
18-10	93700-06004	NIPPLE, grease	2	2		
18-11	1A3-22210-20	REAR CUSHION ASS'Y	2	2		
18-12	90201-14218	WASHER, plate (135-22243-00)	2	2		
18-13	90201-10140	WASHER, plate (10-25-2)	4	4		
18-14	90176-10013	NUT, cap	4	4		
18-15	1A0-22311-00-33	CASE, chain	1	1		Yamaha black
18-16	278-22332-00	DAMPER, chain case	1	1		
18-17	90387-07389	COLLAR (256-21544-00)	1	1		
18-18	90209-06034	WASHER (278-22316-00)	1	1		
18-19	92501-06020	SCREW, panhead	1	1		
18-20	92501-06018	SCREW, panhead	1	1		
18-21	92901-06100	WASHER, spring	2	2		
18-22	92901-06600	WASHER, plate	1	1		



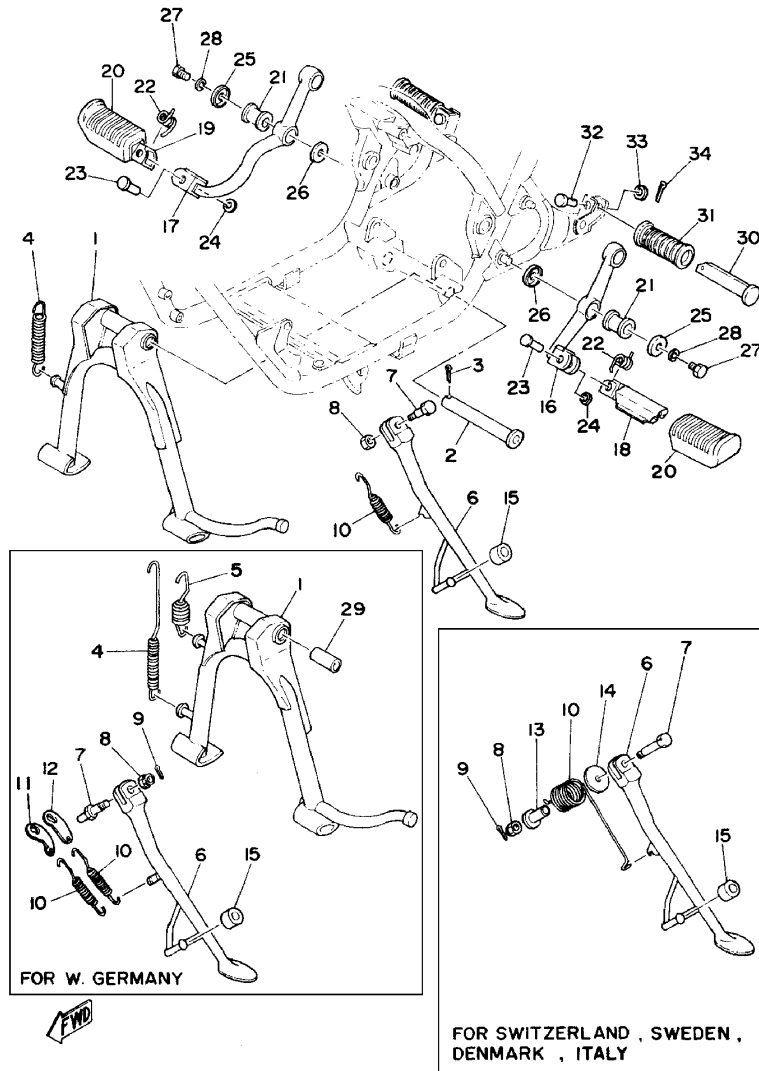
Fig. 19 STAND - FOOTREST (1)



Ref. No.	Parts No.	Description	Q'ty	Q'ty	France	Holland	Switzerland	Belgium	Sweden	Finland	Denmark	Norway	Austria	England	Italy	Remarks
			250	400												
19-1	278-27111-00	STAND, main	1	1	x	x	x	x	x	x	x	x	x	x	x	
	1A2-27111-00	STAND, main	1	1			x									
19-2	278-27112-00	SHAFT, main stand	1	1	x	x	x	x	x	x	x	x	x	x	x	
19-3	91401-30025	PIN, cotter	1	1	x	x	x	x	x	x	x	x	x	x	x	
19-4	90506-35058	Spring, tension (278-27116-00)	1	1	x	x	x	x	x	x	x	x	x	x	x	
	90507-32027	SPRING, tension	1	1			x									
19-5	90507-32028	SPRING, tension	1	1			x									
19-6	1A0-27311-00-33	STAND, side	1	1	x	x		x						x	x	Yamaha black
	278-27311-01	STAND, side	1	1			x		x	x					x	
	1A2-27311-00-33	STAND, side	1	1			x									Yamaha black
19-7	90109-08034	BOLT (266-27317-00)	1	1	x	x		x						x	x	
	90109-08415	BOLT	1	1			x		x	x					x	
	1A2-27317-00	BOLT, side stand	1	1			x									
19-8	95301-08700	NUT, hexagon	1	1	x	x		x						x	x	
	95301-08900	NUT, slotted	1	1			x	x	x	x					x	
19-9	91401-20020	PIN, cotter	1	1			x	x	x	x					x	
19-10	90507-25023	SPRING, tension	1	1	x	x		x						x	x	
	90508-32177	SPRING (360-27316-00)	1	1			x		x	x					x	
	90507-25023	SPRING, tension	2	2			x									
19-11	1A2-27315-00	LINK, side stand	1	1			x									
19-12	1A2-27315-10	LINK, side stand	1	1			x									
19-13	90387-10255	COLLAR (360-27313-90)	1	1			x		x	x					x	
19-14	90201-08569	WASHER (8.2-38-1.6)	1	1			x		x	x					x	
19-15	278-27314-00	STOPPER, side stand	1	1	x	x	x	x	x	x	x	x	x	x	x	
19-16	2R8-27411-00-33	FOOTREST 1, left	1	1	x	x	x	x	x	x	x	x	x	x	x	Yamaha black
19-17	2R8-27421-00-33	FOOTREST 2, right	1	1	x	x	x	x	x	x	x	x	x	x	x	Yamaha black
19-18	1T3-27451-00	FOOTREST 3, left	1	1	x	x	x	x	x	x	x	x	x	x	x	
19-19	1T3-27461-00	FOOTREST 4, right	1	1	x	x	x	x	x	x	x	x	x	x	x	



Fig. 19 STAND - FOOTREST (2)

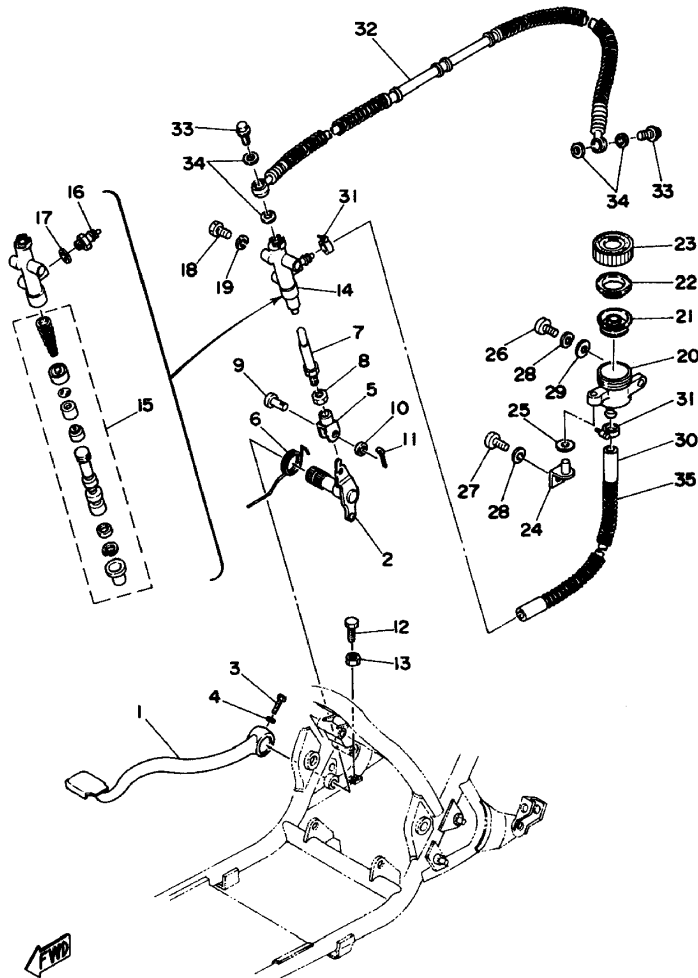


Ref. No.	Parts No.	Description	Q'ty 250	Q'ty 400	France	Holland	Switzerland	Belgium	Sweden	Finland	Denmark	Norway	Austria	England	Italy	Remarks
19-20	1A0-27413-00	COVER, footrest	2	2	x	x	x	x	x	x	x	x	x	x	x	
19-21	90480-20195	GROMMET	4	4	x	x	x	x	x	x	x	x	x	x	x	
19-22	90508-20023	SPRING (214-27426-00)	2	2	x	x	x	x	x	x	x	x	x	x	x	
19-23	90243-08006	PIN (214-27418-00)	2	2	x	x	x	x	x	x	x	x	x	x	x	
19-24	90201-06042	WASHER (214-27417-00)	2	2	x	x	x	x	x	x	x	x	x	x	x	
19-25	90209-08150	WASHER	4	4	x	x	x	x	x	x	x	x	x	x	x	
19-26	90209-12157	WASHER	4	4	x	x	x	x	x	x	x	x	x	x	x	
19-27	90106-08033	BOLT, round hexagon	4	4	x	x	x	x	x	x	x	x	x	x	x	
19-28	92901-08100	WASHER, spring	4	4	x	x	x	x	x	x	x	x	x	x	x	
19-29	90445-19307	HOSE (16.5-40)	1	1			x									
19-30	120-27431-00	ARM, rear footrest	2	2	x	x	x	x	x	x	x	x	x	x	x	
19-31	120-27433-00	COVER, rear footrest	2	2	x	x	x	x	x	x	x	x	x	x	x	
19-32	91701-06035	PIN, clevis	2	2	x	x	x	x	x	x	x	x	x	x	x	
19-33	90201-20279	WASHER (20.5-32-2.0)	2	2	x	x	x	x	x	x	x	x	x	x	x	
19-34	91401-16012	PIN, cotter	2	2	x	x	x	x	x	x	x	x	x	x	x	





Fig. 20 BRAKE PEDAL - MASTER CYLINDER (1)

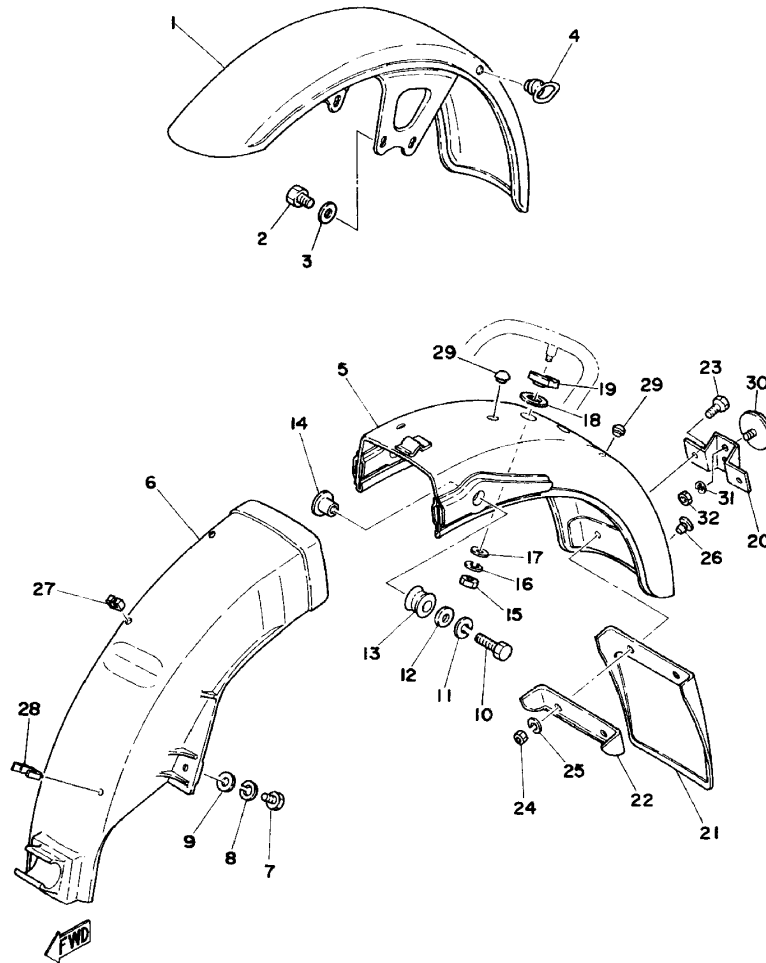


Ref.No.	Parts No.	Description	Q'ty	Q'ty	Applicable Machine No.	Remarks
			250	400		
20-1	2R8-27211-00-33	PEDAL, brake	1	1		Yamaha Black
20-2	2R8-27212-00	SHAFT, brake	1	1		
20-3	90109-06468	BOLT	1	1		
20-4	92901-06100	WASHER, spring	1	1		
20-5	1A1-27222-01	JOINT	1	1		
20-6	2R8-27216-00	SPRING, return	1	1		
20-7	1A1-27231-01	ROD, brake	1	1		
20-8	95301-08700	NUT, hexagon	1	1		
20-9	90240-08013	PIN, with hole (307-18118-00)	1	1		
20-10	90201-08083	WASHER, plate (156-27226-00)	1	1		
20-11	91401-16012	PIN, cotter	1	1		
20-12	97301-08020	BOLT, hexagon	1	1		
20-13	95301-06700	NUT, hexagon	1	1		
20-14	2R8-25850-50	MASTER CYLINDER ASS'Y, rear	1	1		
20-15	1A3-20000-50	. CYLINDER KIT, master	1	1		
20-16	1A1-25899-50	. BOLT, union	1	1		
20-17	1A1-25898-50	. GASKET	1	1		
20-18	97301-08016	BOLT, hexagon	2	2		
20-19	92901-08100	WASHER, spring	2	2		
20-20	1A1-25894-01	TANK, reservoir	1	1		
20-21	360-25854-00	DIAPHRAGM, reservoir	1	1		
20-22	360-25855-01	GASKET, diaphragm	1	1		
20-23	1A1-25852-00	CAP, reservoir	1	1		
20-24	1A1-21798-00	BRACKET, reservoir tank	1	1		
20-25	90201-06050	WASHER, plate	1	1		
20-26	92501-06018	SCREW, panhead	1	1		
20-27	92501-06015	SCREW, panhead	1	1		
20-28	92901-06100	WASHER, spring	2	2		
20-29	90201-06600	WASHER, plate	1	1		





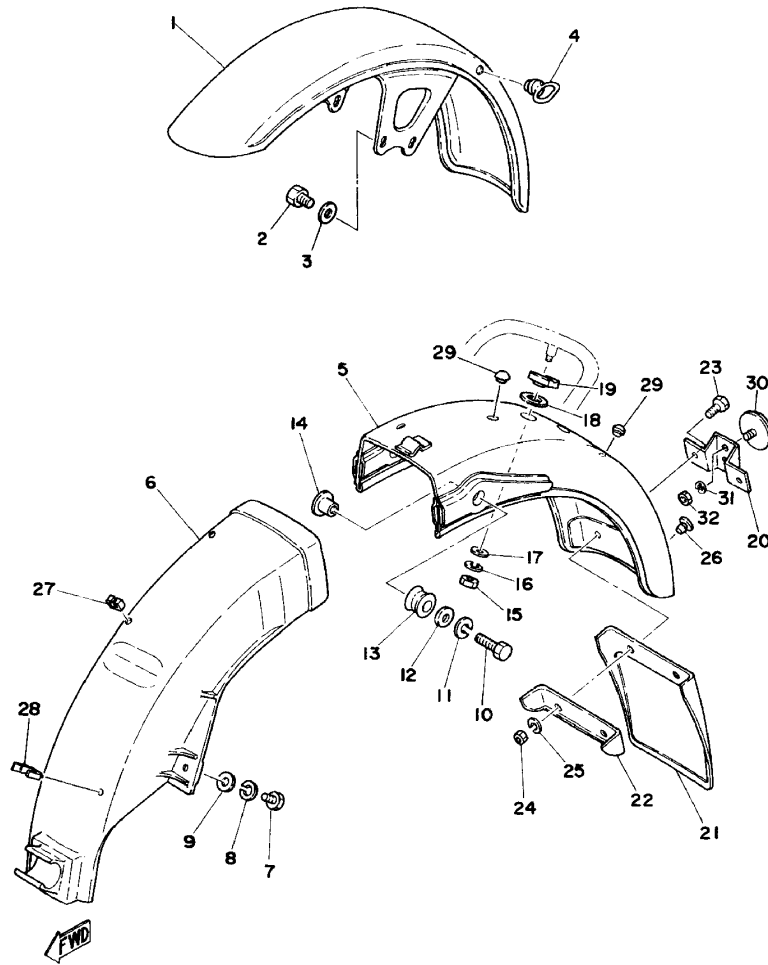
Fig. 21 FRONT FENDER - REAR FENDER (1)



Ref. No.	Parts No.	Description	Q'ty 250	Q'ty 400	France	Holland	Switzerland	Belgium	Sweden	Finland	Denmark	Norway	Austria	England	Italy	Remarks
21-1	1A0-21510-02-93	FRONT FENDER COMP.	1	1	x	x	x	x	x	x	x	x	x	x	x	
21-2	90101-08253	BOLT	4	4	x	x	x	x	x	x	x	x	x	x	x	
21-3	90201-08097	WASHER (700-48192-10)	4	4	x	x	x	x	x	x	x	x	x	x	x	
21-4	1A0-21518-00	HOLDER, wire	1	1	x	x	x	x	x	x	x	x	x	x	x	
21-5	1A2-21610-11-93	REAR FENDER COMP.	1	1			x	x		x	x					
	1A0-21610-11-93	REAR FENDER COMP.	1	1	x	x		x						x	x	
21-6	1A0-21629-01	MUD, guard	1	1	x	x	x	x	x	x	x	x	x	x	x	
21-7	97301-06016	BOLT, hexagon	2	2	x	x	x	x	x	x	x	x	x	x	x	
21-8	92901-06100	WASHER, spring	2	2	x	x	x	x	x	x	x	x	x	x	x	
21-9	92901-06600	WASHER, plate	2	2	x	x	x	x	x	x	x	x	x	x	x	
21-10	97301-10035	BOLT, hexagon	2	2	x	x	x	x	x	x	x	x	x	x	x	M10 L=35
21-11	92901-10100	WASHER, spring	2	2	x	x	x	x	x	x	x	x	x	x	x	
21-12	92901-10600	WASHER, plate	2	2	x	x	x	x	x	x	x	x	x	x	x	
21-13	168-21639-00	DAMPER, rear	2	2	x	x	x	x	x	x	x	x	x	x	x	
21-14	90179-10220	NUT	2	2	x	x	x	x	x	x	x	x	x	x	x	
21-15	95301-06600	NUT, hexagon	1	1	x	x	x	x	x	x	x	x	x	x	x	
21-16	92901-06100	WASHER, spring	1	1	x	x	x	x	x	x	x	x	x	x	x	
21-17	90201-06073	WASHER (156-24187-00)	1	1	x	x	x	x	x	x	x	x	x	x	x	
21-18	90202-15105	WASHER, plate	1	1	x	x	x	x	x	x	x	x	x	x	x	
21-19	1A2-21638-00	DAMPER, rear fender	1	1	x	x	x	x	x	x	x	x	x	x	x	
21-20	413-21641-00	BRACKET, reflector	1	1			x		x							
21-21	1H2-21621-00	FLAP, rear fender	1	1					x							
21-22	413-21622-90	BAND, flap	1	1					x							
21-23	97301-06016	BOLT, hexagon	2	2			x		x							
21-24	95301-06600	NUT, hexagon	2	2			x		x							
21-25	92901-06100	WASHER, spring	2	2			x		x							
21-26	90338-07043	PLUG (288-83319-00)	2	2				x				x				
21-27	90464-08020	CLAMP	2	2	x	x	x	x	x	x	x	x	x	x	x	
21-28	90464-16025	CLAMP	1	1	x	x	x	x	x	x	x	x	x	x	x	



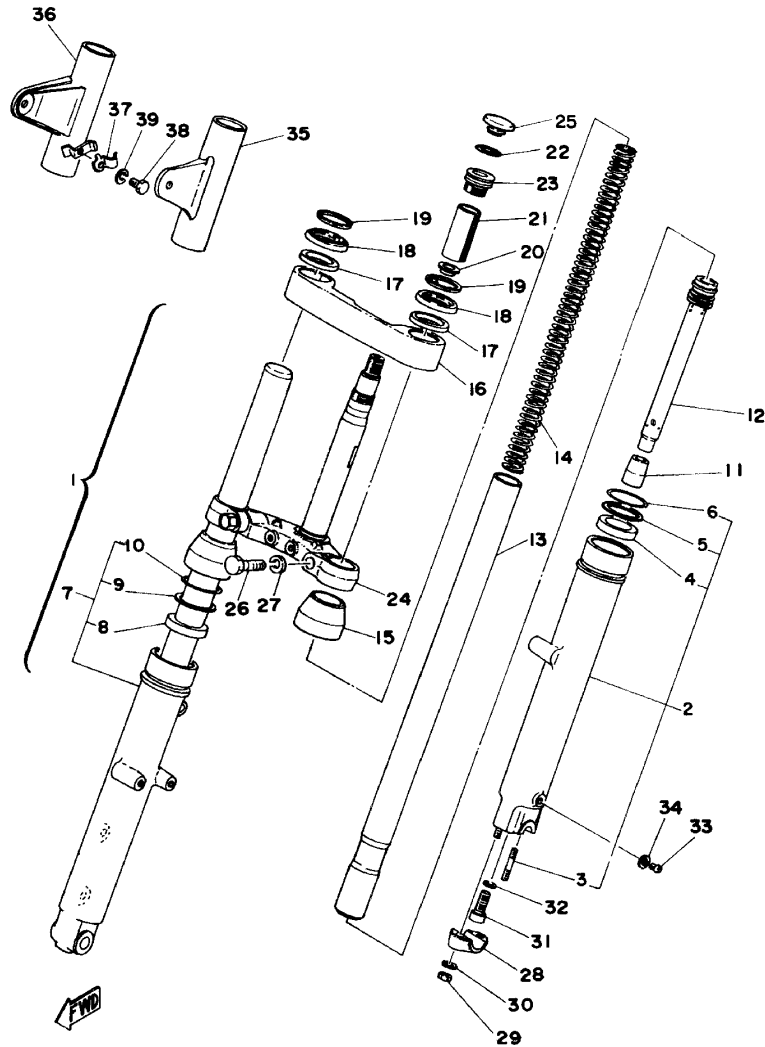
Fig. 21 FRONT FENDER - REAR FENDER (2)



Ref. No.	Parts No.	Description	Q'ty	Q'ty	France	Holland	Switzerland	W.Germany	Belgium	Sweden	Finland	Denmark	Norway	Austria	England	Italy	Remarks
			250	400													
21-29	170-21746-00	DAMPER, cleaner stopper	1	1	x		x	x	x	x							
	170-21746-00	DAMPER, cleaner stopper	2	2		x									x	x	x
21-30	449-85131-01	REFLECTOR	1	1			x										
21-31	92901-05100	WASHER, spring	1	1			x										
21-32	95301-05600	NUT, hexagon	1	1			x										



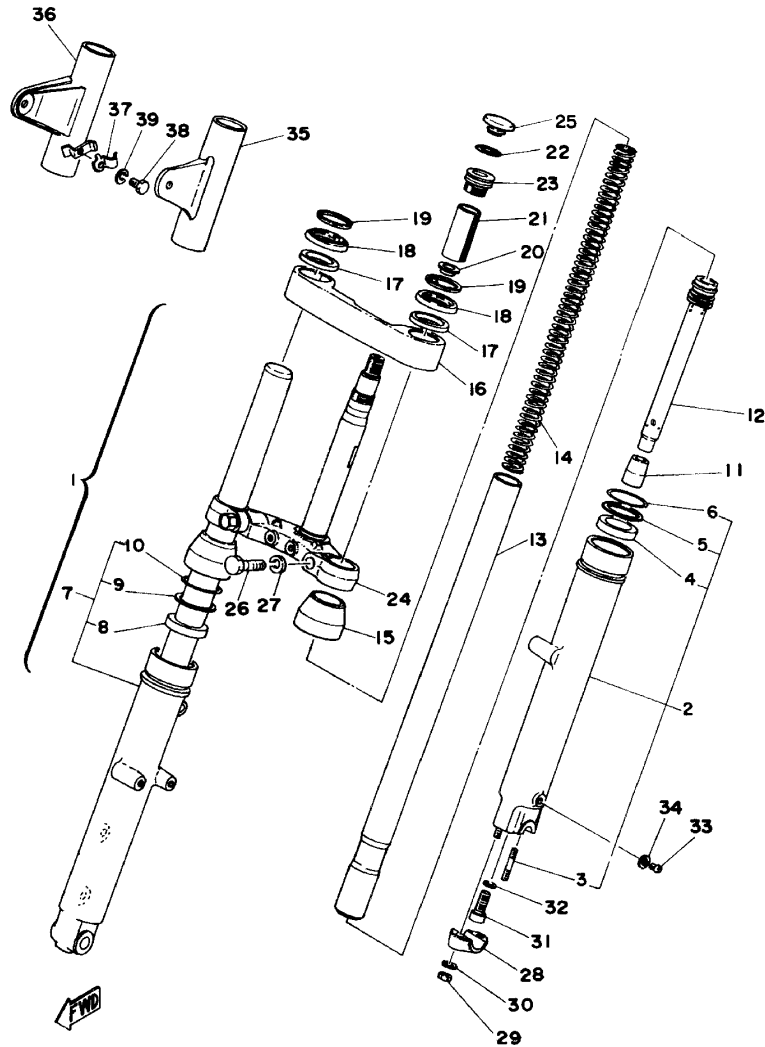
Fig. 22 FRONT FORK (1)



Ref. No.	Parts No.	Description	Q'ty 250	Q'ty 400	France	Holland	Switzerland	Belgium	Sweden	Finland	Denmark	Norway	Austria	England	Italy	Remarks
22-1	2R8-23101-00	FRONT FORK ASS'Y	1	1	x	x	x	x								
	2R8-23101-30	FRONT FORK ASS'Y	1	1			x		x							
22-2	2R8-23126-00-38	. TUBE, outer left	1	1	x	x	x	x	x	x				x	x	x
22-3	90116-08261	. . BOLT, stud	2	2	x	x	x	x	x	x				x	x	x
22-4	1T3-23145-00	. . OIL SEAL	1	1	x	x	x	x	x	x				x	x	x
22-5	341-23146-50	. . WASHER, oil seal	1	1	x	x	x	x	x	x				x	x	x
22-6	341-23156-50	. . CLIP, oil seal	1	1	x	x	x	x	x	x				x	x	x
22-7	2R8-23136-00-38	. TUBE, outer right	1	1	x	x	x	x	x	x				x	x	x
22-8	1T3-23145-00	. . OIL SEAL	1	1	x	x	x	x	x	x				x	x	x
22-9	341-23146-50	. . WASHER, oil seal	1	1	x	x	x	x	x	x				x	x	x
22-10	341-23156-50	. . CLIP, oil seal	1	1	x	x	x	x	x	x				x	x	x
22-11	1W1-23173-L0	. TAPER SPINDLE	2	2	x	x	x	x	x	x				x	x	x
22-12	2R8-23170-00	. CYLINDER COMP.; front fork	2	2	x	x	x	x	x	x				x	x	x
22-13	2R8-23110-00	. INNER TUBE COMP.	2	2	x	x	x	x	x	x				x	x	x
22-14	2R8-23141-00	. SPRING, fork	2	2	x	x	x	x	x	x				x	x	x
22-15	1T3-23144-50	. SEAL, dust	2	2	x	x	x	x	x	x				x	x	x
22-16	2R8-23122-00	. COVER, outer	1	1	x	x	x	x	x	x				x	x	x
22-17	2R8-23163-00	. PACKING	2	2	x	x	x	x	x	x				x	x	x
22-18	2R8-23116-00	. GUIDE, cover under	2	2	x	x	x	x	x	x				x	x	x
22-19	2R8-23115-00	. GUIDE, cover upper	2	2	x	x	x	x	x	x				x	x	x
22-20	583-23142-00	. SEAT, spring upper	2	2	x	x	x	x	x	x				x	x	x
22-21	1U6-23118-M0	. SPACER	2	2	x	x	x	x	x	x				x	x	x
22-22	240-23114-00	. PACKING	2	2	x	x	x	x	x	x				x	x	x
22-23	1U6-23111-M1	. BOLT, cap	2	2	x	x	x	x	x	x				x	x	x
22-24	2R8-23340-00-33	. UNDER BRACKET COMP.	1	1	x	x		x						x	x	x
	2R8-23340-30-33	. UNDER BRACKET COMP.	1	1			x		x							
22-25	1U6-23168-M0	. CAP, front fork	2	2	x	x	x	x	x	x				x	x	x
22-26	306-23346-60	. BOLT, under bracket	2	2	x	x	x	x	x	x				x	x	x



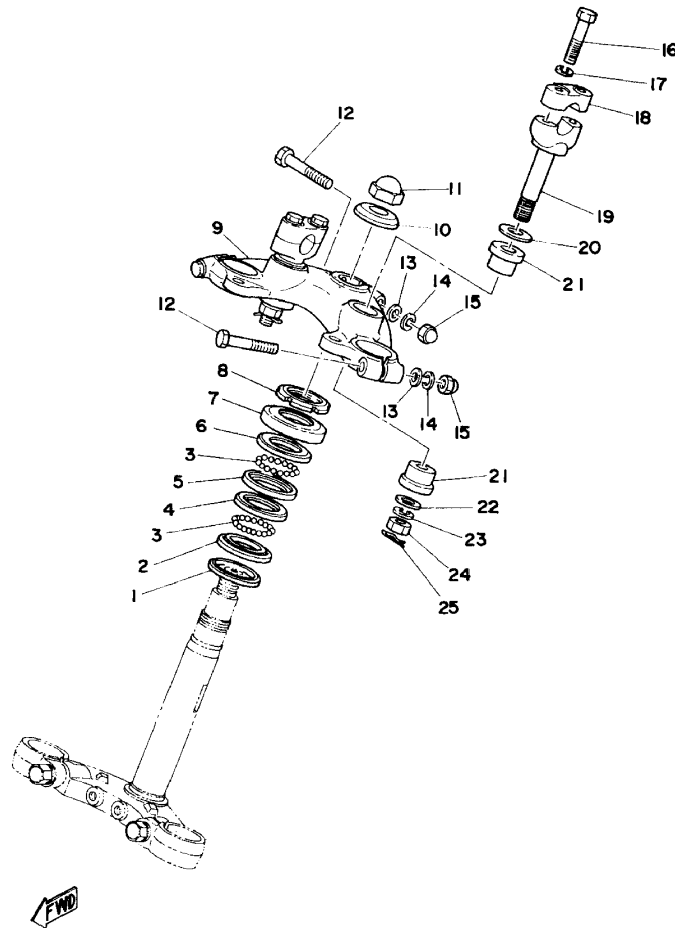
Fig. 22 FRONT FORK (2)



Ref. No.	Parts No.	Description	Q'ty 250	Q'ty 400	France	Holland	Switzerland	Belgium	Sweden	Finland	Denmark	Norway	Austria	England	Italy	Remarks
22-27	92901-12100	. WASHER, spring	2	2	x	x	x	x	x	x	x	x	x	x	x	
22-28	291-23167-61	. HOLDER, axle	1	1	x	x	x	x	x	x	x	x	x	x	x	
22-29	90185-08054	. NUT, U	2	2	x	x	x	x	x	x	x	x	x	x	x	
22-30	92901-08600	. WASHER, plate	2	2	x	x	x	x	x	x	x	x	x	x	x	
22-31	278-23181-50	. BOLT	2	2	x	x	x	x	x	x	x	x	x	x	x	
22-32	509-23158-L0	. PACKING	2	2	x	x	x	x	x	x	x	x	x	x	x	
22-33	122-23119-01	. PLUG, drain	2	2	x	x	x	x	x	x	x	x	x	x	x	
22-34	122-23129-00	. GASKET, drain plug	2	2	x	x	x	x	x	x	x	x	x	x	x	
22-35	1A0-23121-01-33	COVER, upper left	1	1	x	x	x	x	x	x	x	x	x	x	x	Yamaha Black
22-36	2R8-23131-00-33	COVER, upper right	1	1	x	x	x	x	x	x	x	x	x	x	x	Yamaha Black
22-37	1A0-23164-00	STAY, fitting	1	1	x	x	x	x	x	x	x	x	x	x	x	
22-38	97301-06012	BOLT, hexagon	1	1	x	x	x	x	x	x	x	x	x	x	x	
22-39	92901-06100	WASHER, spring	1	1	x	x	x	x	x	x	x	x	x	x	x	



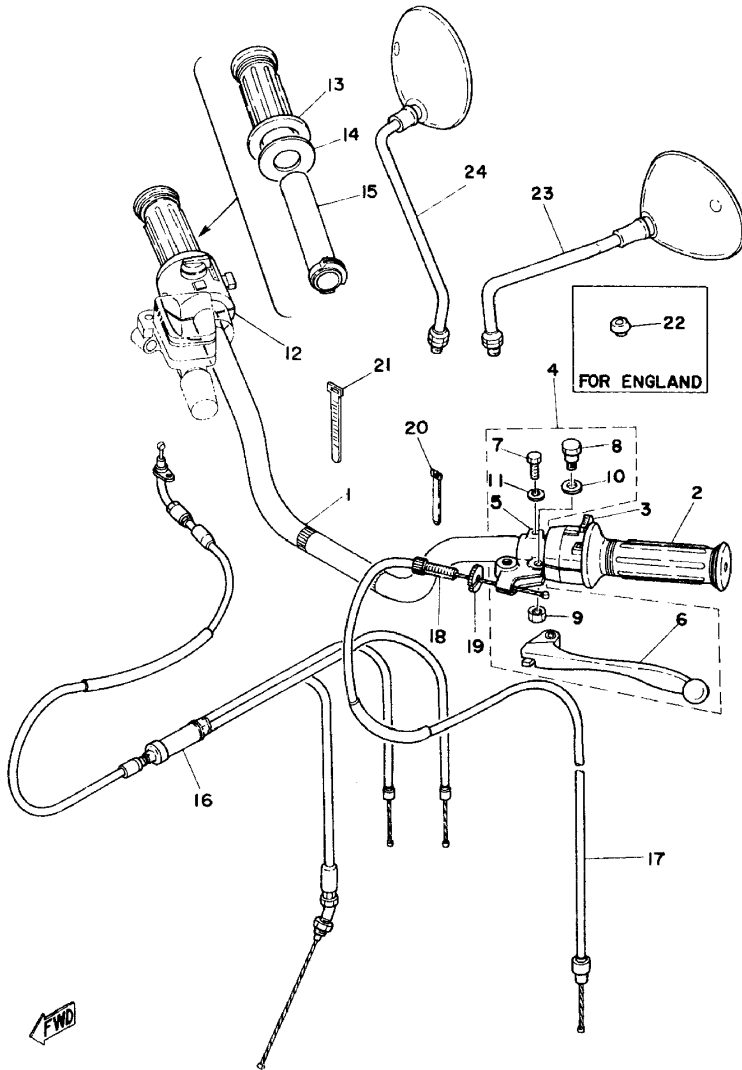
Fig. 23 STEERING



Ref.No.	Parts No.	Description	Q'ty	Q'ty	Applicable Machine No.	Remarks
			250	400		
23-1	164-23462-00	SEAL, dust	1	1		
23-2	156-23411-00	RACE, ball 1	1	1		
23-3	93501-04011	BALL (1/4 inch)	38	38		
23-4	156-23412-00	RACE, ball 2	1	1		
23-5	183-23412-00	RACE, ball 2	1	1		
23-6	183-23411-00	RACE, ball 1	1	1		
23-7	136-23415-00	COVER, ball race	1	1		
23-8	90179-25033	NUT (137-23454-00)	1	1		
23-9	2R8-23435-00-98	CROWN, handle	1	1		Low Gloss Black
23-10	90209-17057	WASHER (174-23443-00)	1	1		
23-11	90176-16016	NUT, cap	1	1		
23-12	97323-08055	BOLT, hexagon	3	3		
23-13	90201-08083	WASHER, plate (156-27226-00)	3	3		
23-14	92901-08100	WASHER, spring	3	3		
23-15	95303-08800	NUT, crown	3	3		
23-16	90106-08032	BOLT, round hexagon	4	4		
23-17	92901-08600	WASHER, plate	4	4		
23-18	1E6-23441-10-98	HOLDER, handle upper	2	2		Low Gloss Black
23-19	1E6-23442-00	HOLDER, handle under	2	2		
23-20	90201-12195	WASHER, plate (167-22243-00)	2	2		
23-21	90385-12027	BUSHING	4	4		
23-22	90201-10146	WASHER, plate	2	2		
23-23	92901-10100	WASHER, spring	2	2		
23-24	95302-10700	NUT, hexagon	2	2		
23-25	90468-12006	CLIP (136-25375-00)	2	2		



Fig. 24 HANDLE - WIRE

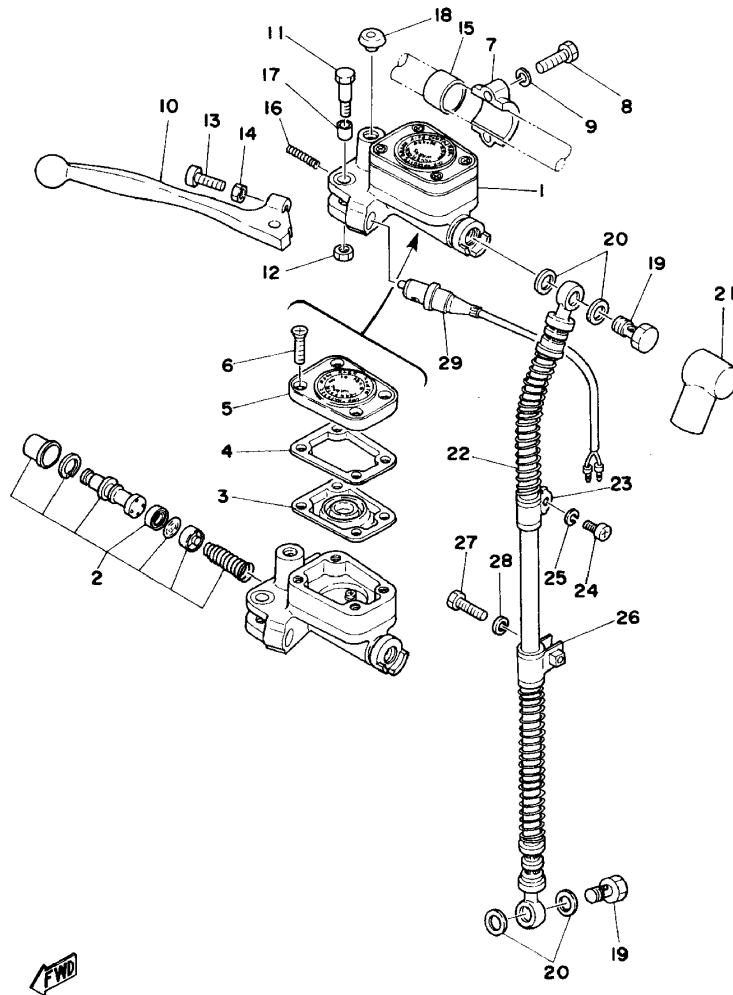


Ref. No.	Parts No.	Description	Q'ty 250	Q'ty 400	France	Holland	W. Germany	Switzerland	Belgium	Sweden	Finland	Denmark	Norway	Austria	England	Italy	Remarks
24-1	2R8-26111-20	HANDLE	1		x	x	x	x	x								
	2R9-26111-20	HANDLE		1	x	x	x		x	x							
	278-26111-02	HANDLE	1	1	x	x	x	x	x								Alternate Parts Bar Handle
24-2	1E6-26241-00	GRIP, left	1	1	x	x	x	x	x								
24-3	2R8-83972-00	SWITCH, handle 4	1	1	x	x	x	x	x								X
24-4	360-82910-02	LEVER HOLDER ASS'Y, left	1	1	x	x	x	x	x								
24-5	341-82911-00	. HOLDER, lever left	1	1	x	x	x	x	x								
24-6	214-83912-00	. LEVER, left	1	1	x	x	x	x	x								
24-7	97301-06022	. BOLT, hexagon	1	1	x	x	x	x	x								
24-8	90109-06410	. BOLT	1	1	x	x	x	x	x								
24-9	95601-06100	. NUT, U	1	1	x	x	x	x	x								
24-10	90201-08083	. WASHER (156-27226-00)	1	1	x	x	x	x	x								
24-11	92901-06100	. WASHER, spring	1	1	x	x	x	x	x								
24-12	2R8-83975-00	SWITCH, handle 2	1	1	x	x	x	x	x								
24-13	1A0-26242-01	GRIP, right	1	1	x	x	x	x	x								
24-14	278-26294-00	RING, leaf	1	1	x	x	x	x	x								
24-15	1A0-26243-01	TUBE, guide	1	1	x	x	x	x	x								
24-16	1A2-26260-20	WIRE CYLINDER ASS'Y	1	1	x	x	x	x	x								
	1A0-26260-00	WIRE CYLINDER ASS'Y	1	1	x	x	x	x	x								Alternate Parts Bar Handle
24-17	1A2-26335-21	WIRE, clutch	1	1	x	x	x	x	x								
	1A0-26335-00	WIRE, clutch	1	1	x	x	x	x	x								Alternate Parts Bar Handle
24-18	90123-08046	BOLT, wire adjusting	1	1	x	x	x	x	x								
24-19	90179-08148	NUT (168-26344-00)	1	1	x	x	x	x	x								
24-20	168-83936-01	BAND, switch cord	2	2	x	x	x	x	x								
24-21	366-82591-00	BAND	1	1	x	x	x	x	x								
24-22	90338-09012	PLUG (341-26329-00)	1	1													
24-23	1J7-26290-12	BACK MIRROR ASS'Y, left	1	1			x	x	x	x							(England Optional Parts)
	341-26290-20	BACK MIRROR ASS'Y, left	1	1	x												
24-24	1J7-26290-02	BACK MIRROR ASS'Y, right	1	1			x	x	x	x							Optional Parts (England STD)





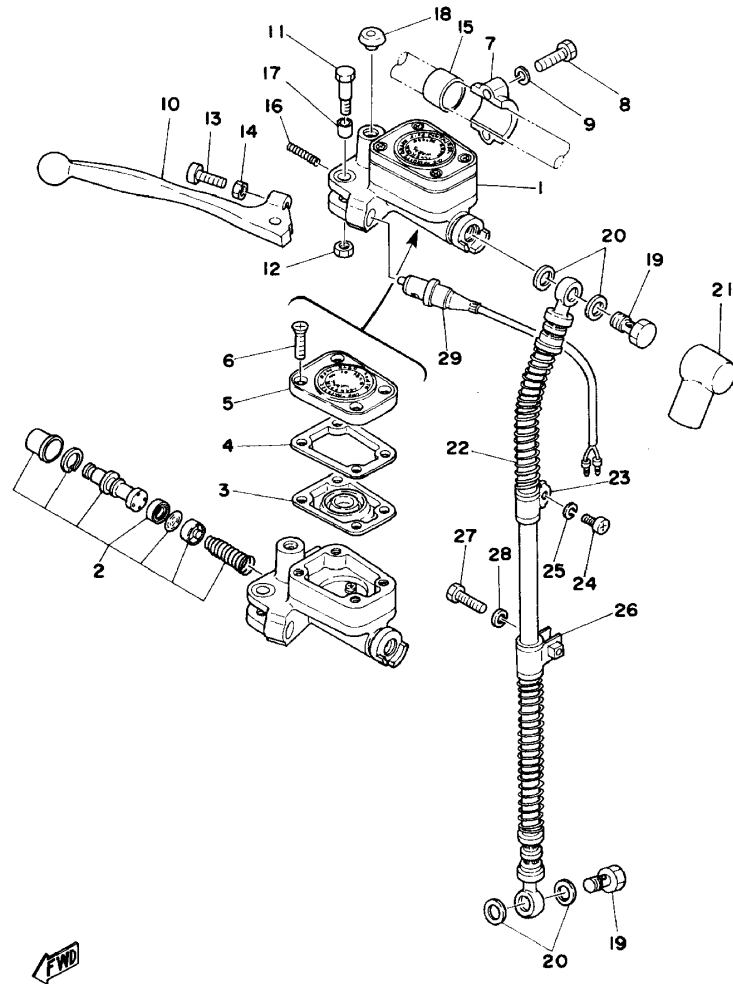
Fig. 25 MASTER CYLINDER - BRAKE HOSE (1)



Ref. No.	Parts No.	Description	Q'ty 250	Q'ty 400	France	Holland	Switzerland	Belgium	Sweden	Finland	Denmark	Norway	Austria	England	Italy	Remarks
25-1	1A0-25850-02	MASTER CYLINDER ASS'Y, front	1	1	x	x	x	x	x	x	x	x	x	x	x	
25-2	1A0-20000-10	. CYLINDER KIT, master	1	1	x	x	x	x	x	x	x	x	x	x	x	
25-3	1A0-25854-01	. DIAPHRAGM, reservoir	1	1	x	x	x	x	x	x	x	x	x	x	x	
25-4	1A0-25855-01	. GASKET, reservoir	1	1	x	x	x	x	x	x	x	x	x	x	x	
25-5	1A0-25893-01	. RESERVOIR CAP ASS'Y	1	1	x	x	x	x	x	x	x	x	x	x	x	
25-6	1A0-25824-01	. SCREW	4	4	x	x	x	x	x	x	x	x	x	x	x	
25-7	1J3-25867-00	BRACKET, master	1	1	x	x	x	x	x	x	x	x	x	x	x	
25-8	97321-06025	BOLT, hexagon	2	2	x	x	x	x	x	x	x	x	x	x	x	
25-9	92901-06100	WASHER, spring	2	2	x	x	x	x	x	x	x	x	x	x	x	
25-10	1T3-83922-00	LEVER, right	1	1	x	x	x	x	x	x	x	x	x	x	x	
25-11	90109-06465	BOLT	1	1	x	x	x	x	x	x	x	x	x	x	x	
25-12	95601-06100	NUT, U	1	1	x	x	x	x	x	x	x	x	x	x	x	
25-13	90146-06008	SCREW	1	1	x	x	x	x	x	x	x	x	x	x	x	
25-14	90170-06010	NUT (306-83927-00)	1	1	x	x	x	x	x	x	x	x	x	x	x	
25-15	90387-22591	COLLAR	1	1	x	x	x	x	x	x	x	x	x	x	x	
25-16	90501-10312	SPRING (306-83924-00)	1	1	x	x	x	x	x	x	x	x	x	x	x	
25-17	90386-08094	BUSHING	1	1	x	x	x	x	x	x	x	x	x	x	x	
25-18	90338-09012	PLUG (341-26329-00)	1	1	x	x	x	x	x	x	x	x	x	x	x	
25-19	90401-10034	BOLT, union	2	2	x	x	x	x	x	x	x	x	x	x	x	
25-20	90201-10118	WASHER (10.2-14-1.0)	4	4	x	x	x	x	x	x	x	x	x	x	x	
25-21	360-25862-00	BOOT, master cylinder	1	1	x	x	x	x	x	x	x	x	x	x	x	
25-22	2R8-25872-20	HOSE, brake	1	1	x	x	x	x	x	x	x	x	x	x	x	
	2R8-25872-20	HOSE, brake	1	1	x	x	x	x	x	x	x	x	x	x	x	Alternate Parts Bar Handle
25-23	90461-10034	CLAMP	1	1	x	x	x	x	x	x	x	x	x	x	x	
25-24	92506-06012	SCREW, panhead	1	1	x	x	x	x	x	x	x	x	x	x	x	
25-25	92906-06100	WASHER, spring	1	1	x	x	x	x	x	x	x	x	x	x	x	
25-26	2R8-25876-00	HOLDER, brake hose	1	1	x	x	x	x	x	x	x	x	x	x	x	
25-27	97301-06025	BOLT, hexagon	1	1	x	x	x	x	x	x	x	x	x	x	x	



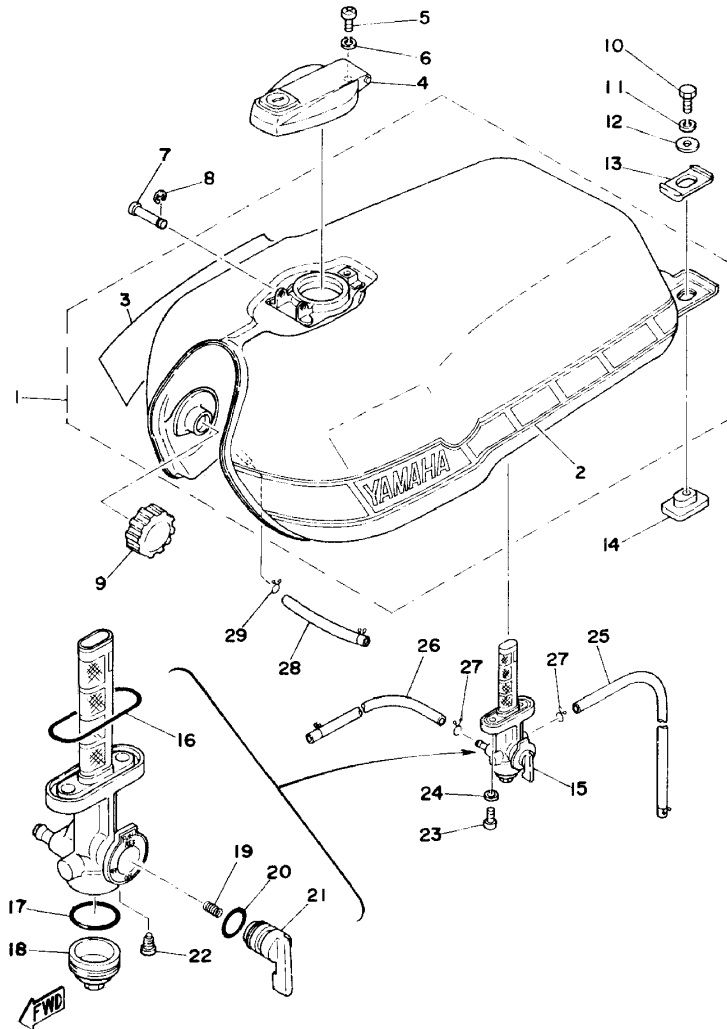
Fig. 25 MASTER CYLINDER - BRAKE HOSE (2)



Ref. No.	Parts No.	Description	Q'ty 250	Q'ty 400	France	Holland	W.Germany	Switzerland	Belgium	Sweden	Denmark	Norway	Austria	England	Italy	Remarks
25-28	92901-06100	WASHER, spring	1	1	x	x	x	x	x		x		x	x	x	
25-29	1A0-83980-30	FRONT STOP SWITCH ASS'Y	1	1	x	x	x	x	x	x	x		x	x	x	



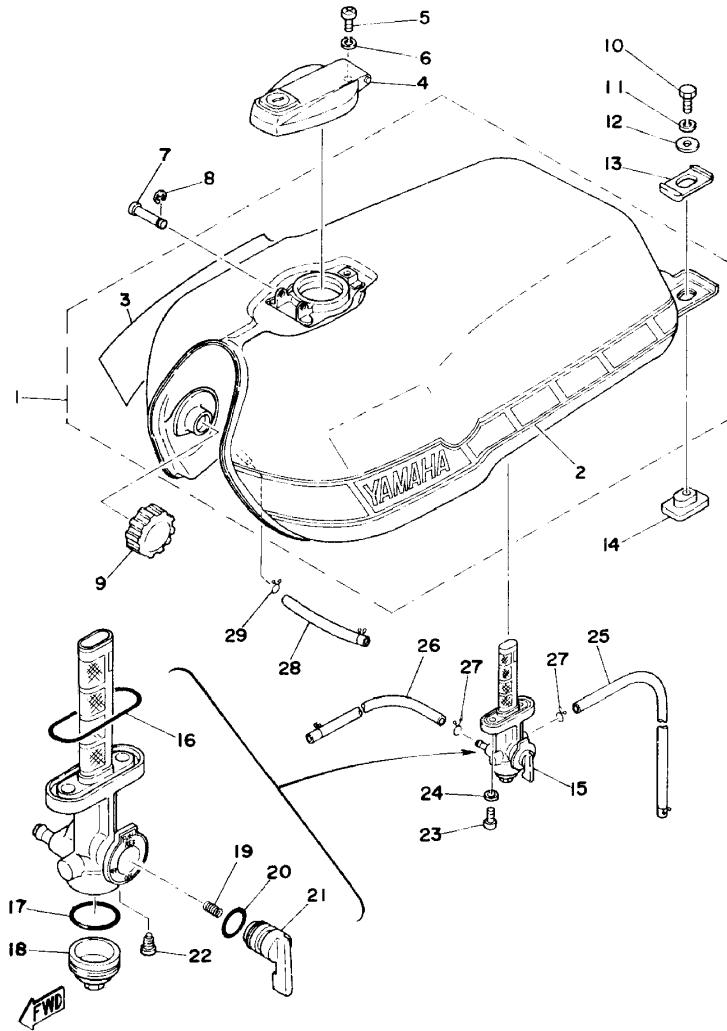
Fig. 26 FUEL TANK (1)



Ref.No.	Parts No.	Description	Q'ty 250	Q'ty 400	Applicable Machine No.	Remarks
26-1	1A2-24110-00-W3	FUEL TANK COMP.	1	1		Macho Maroon
	1A2-24110-00-W4	FUEL TANK COMP.	1	1		Crystal Silver
	1A2-24110-00-W5	FUEL TANK COMP.	1	1		Clean White
	1A2-24110-00-W6	FUEL TANK COMP.	1	1		Marine Blue
26-2	2R8-24244-00	. GRAPHIC, fuel tank left	1	1		
	2R8-24244-10	. GRAPHIC, fuel tank left	1	1		for Clean White
26-3	2R8-24245-00	. GRAPHIC, fuel tank right	1	1		
	2R8-24245-10	. GRAPHIC, fuel tank right	1	1		for Clean White
26-4	1A0-24602-00	CAP ASS'Y	1	1		
26-5	98501-05008	SCREW, panhead	1	1		
26-6	92901-05100	WASHER, spring	1	1		
26-7	90249-03123	PIN	1	1		
26-8	93430-02001	CIRCLIP (E-1.9)	1	1		
26-9	278-24181-00	DAMPER, locating	2	2		
26-10	97301-06012	BOLT, hexagon	2	2		
26-11	92901-06100	WASHER, spring	2	2		
26-12	90209-06139	WASHER	2	2		
26-13	1A0-24186-00	WASHER, special	2	2		
26-14	1A0-24181-00	DAMPER, locating	2	2		
26-15	1A0-24500-02	FUEL COCK ASS'Y	1	1		
26-16	214-24512-00	. GASKET, body	1	1		
26-17	498-24522-00	. O-RING	1	1		
26-18	1A0-24521-00	. CUP, filter	1	1		
26-19	1A0-24529-01	. SPRING	1	1		
26-20	1A0-24512-00	. O-RING	1	1		
26-21	1A0-24524-01	. LEVER, cock	1	1		
26-22	619-24535-00	. SCREW	1	1		
26-23	90149-06011	SCREW (256-24143-00)	2	2		
26-24	90202-06010	WASHER, plate (178-14766-00)	2	2		



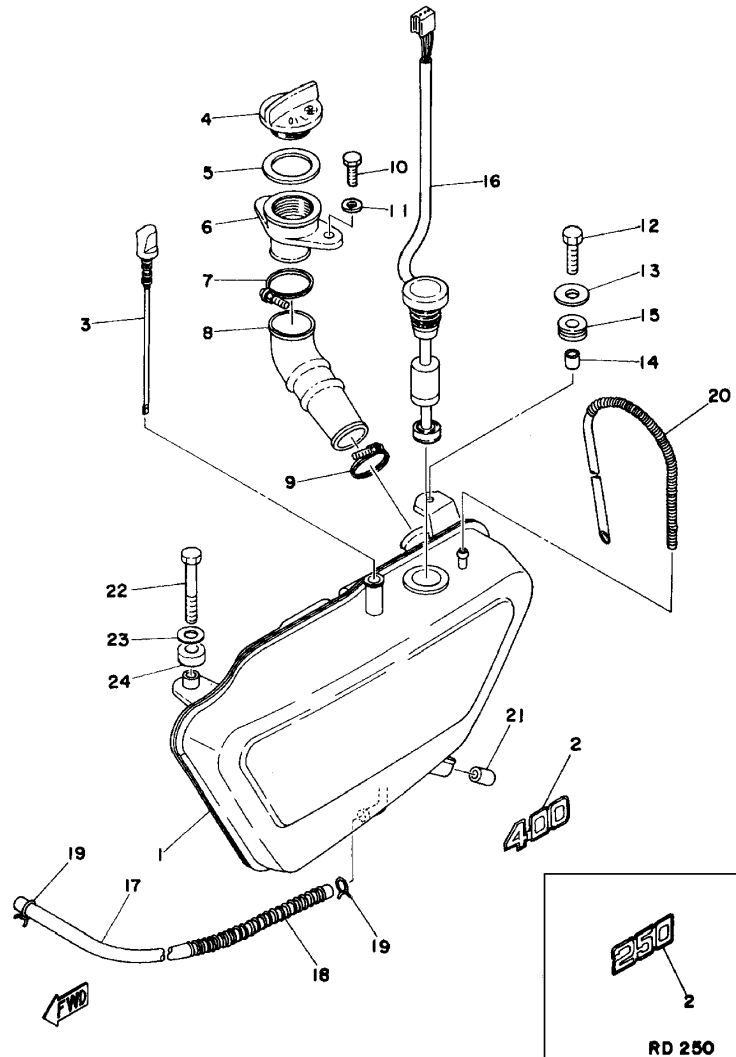
Fig. 26 FUEL TANK (2)



Ref.No.	Parts No.	Description	Q'ty		Applicable Machine No.	Remarks
			250	400		
26-25	90445-09094	HOSE (168-24312-00 5-210)	1	1		
26-26	90445-09082	HOSE (647-24313-00 5-150)	1	1		
26-27	90467-08003	CLIP (101-24356-00)	4	4		
26-28	90445-10308	HOSE (5-160)	1	1		
26-29	90467-09006	CLIP (606-24356-00)	2	2		



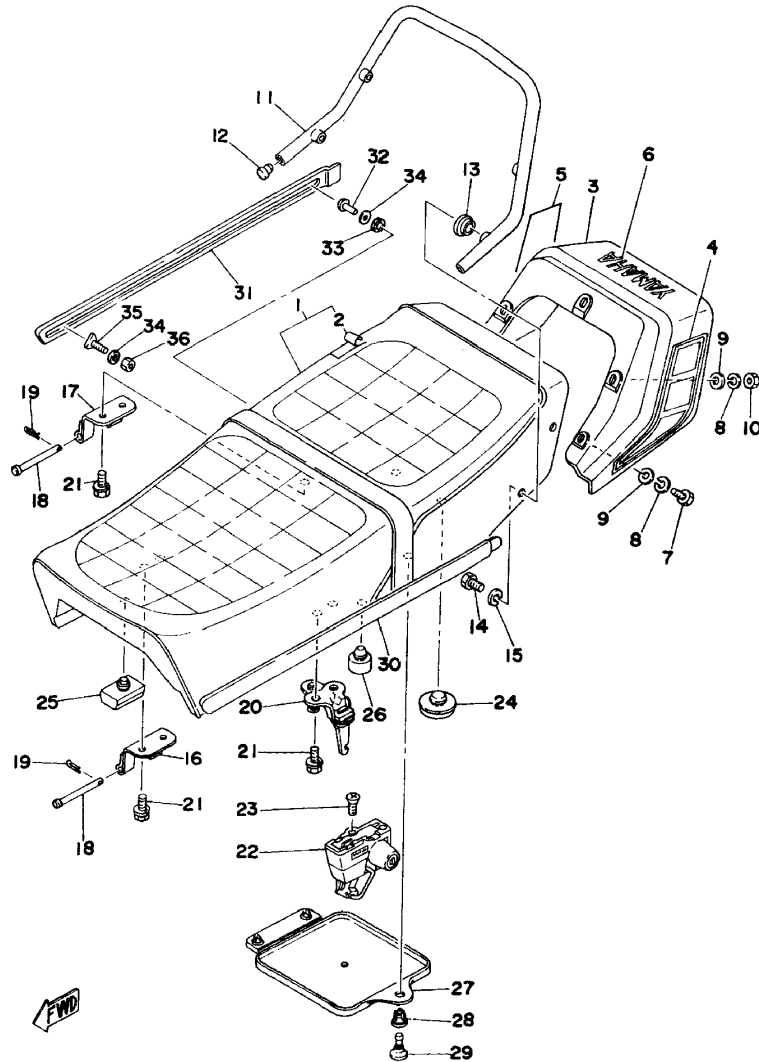
Fig. 27 OIL TANK



Ref.No.	Parts No.	Description	Q'ty 250	Q'ty 400	Applicable Machine No.	Remarks
27-1	1A0-21751-00-H6	TANK, oil	1	1		Macho Maroon
	1A0-21751-00-20	TANK, oil	1	1		Crystal Silver
	1A0-21751-00-36	TANK, oil	1	1		Clean White
	1A0-21751-00-75	TANK, oil	1	1		Marine Blue
27-2	2R8-21781-00	GRAPHIC, oil tank	1			
	2R9-21781-00	GRAPHIC, oil tank		1		
27-3	1A0-21792-00	GAUGE, oil level	1	1		
27-4	1A0-21771-00	CAP, oil tank	1	1		
27-5	90430-27124	GASKET	1	1		
27-6	360-21752-00	TUBE, filler	1	1		
27-7	90460-30009	CLAMP, hose (360-21765-00)	1	1		
27-8	360-21753-00	TUBE, oil connector	1	1		
27-9	90460-26007	CLAMP, hose (360-21755-00)	1	1		
27-10	97301-06016	BOLT, hexagon	2	2		
27-11	90201-06055	WASHER, plate (6.5-16-1.0)	2	2		
27-12	97301-06025	BOLT, hexagon	1	1		
27-13	90201-06380	WASHER, plate	1	1		
27-14	90387-07390	COLLAR	1	1		
27-15	90480-14102	GROMMET (214-21717-00)	1	1		
27-16	1A0-85720-03	OIL LEVEL GAUGE ASS'Y	1	1		
27-17	90445-09122	HOSE (278-24311-00)	1	1		
27-18	90501-08410	SPRING, compression	1	1		
27-19	90467-08003	CLIP (101-24356-00)	2	2		
27-20	1A0-21745-01	PIPE, oil tank breather	1	1		
27-21	437-21779-00	DAMPER, oil tank 2	1	1		
27-22	97301-06050	BOLT, hexagon	1	1		
27-23	92901-06600	WASHER, plate	1	1		
27-24	90385-10026	BUSHING	1	1		



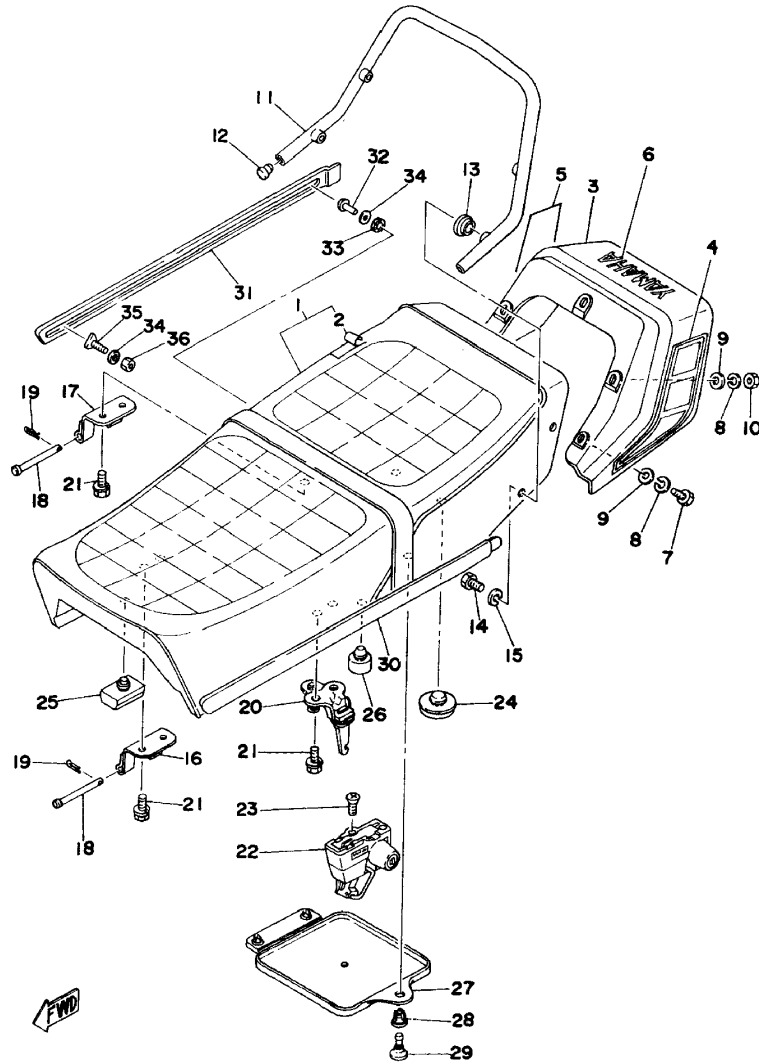
Fig. 28 SEAT (1)



Ref. No.	Parts No.	Description	Q'ty 250	Q'ty 400	France	Holland	Switzerland	Belgium	Sweden	Finland	Denmark	Norway	Austria	England	Italy	Remarks
28-1	1A2-24730-Y1	DOUBLE SEAT ASS'Y	1	1	x	x	x	x	x	x	x	x	x	x	x	
	1A2-24730-W1	DOUBLE SEAT ASS'Y	1	1			x									
28-2	1A2-24731-10	. COVER, double seat	1	1	x	x	x	x	x	x	x	x	x	x	x	
	1A2-24731-20	. COVER, double seat	1	1			x									
28-3	1A2-24756-00-H6	COVER, tail	1	1	x	x	X	x	x	x	x	x	x	x	x	Macho Maroon
	1A2-24756-00-20	COVER, tail	1	1	x	x	x	x	x	x	x	x	x	x	x	Crystal Silver
	1A2-24756-00-36	COVER, tail	1	1	x	x	x	x	x	x	x	x	x	x	x	Clean White
	1A2-24756-00-75	COVER, tail	1	1	x	x	x	x	x	x	x	x	x	x	x	Marine Blue
28-4	2R8-24757-00	Graphic, tail cover left	1	1	x	x	x	x	x	x	x	x	x	x	x	
	2R8-24757-10	Graphic, tail cover left	1	1	x	x	x	x	x	x	x	x	x	x	x	for Clean White
28-5	2R8-24767-00	Graphic, tail cover right	1	1	x	x	x	x	x	x	x	x	x	x	x	
	2R8-24767-10	Graphic, tail cover right	1	1	x	x	x	x	x	x	x	x	x	x	x	for Clean White
28-6	2F3-24786-10	EMBLEM, tail cover	1	1	x	x	x	x	x	x	x	x	x	x	x	
28-7	97301-05014	BOLT	2	2	x	x	x	x	x	x	x	x	x	x	x	
28-8	92901-05100	WASHER, spring	5	5	x	x	x	x	x	x	x	x	x	x	x	
28-9	92901-05200	WASHER, plate	5	5	x	x	x	x	x	x	x	x	x	x	x	
28-10	95301-05600	NUT, hexagon	3	3	x	x	x	x	x	x	x	x	x	x	x	
28-11	1A2-24773-00	HANDLE, seat	1	1			x									
28-12	1T4-24742-00	GROMMET	2	2			x									
28-13	1T4-24796-00	COVER, seat handle	2	2			x									
28-14	97301-08014	BOLT, hexagon	4	4			x									
28-15	92901-08100	WASHER, spring	4	4			x									
28-16	248-24726-00-33	HINGE, seat	1	1	x	x	x	x	x	x	x	x	x	x	x	Yamaha Black
28-17	1A0-24726-00	HINGE, seat	1	1	x	x	x	x	x	x	x	x	x	x	x	Yamaha Black
28-18	91701-05055	PIN, clevis	2	2	x	x	x	x	x	x	x	x	x	x	x	
28-19	90468-10050	CLIP (156-83525-00)	2	2	x	x	x	x	x	x	x	x	x	x	x	
28-20	371-24728-00	BRACKET, seat	1	1	x	x	x	x	x	x	x	x	x	x	x	Yamaha Black
28-21	90101-06304	BOLT	6	6	x	x	x	x	x	x	x	x	x	x	x	



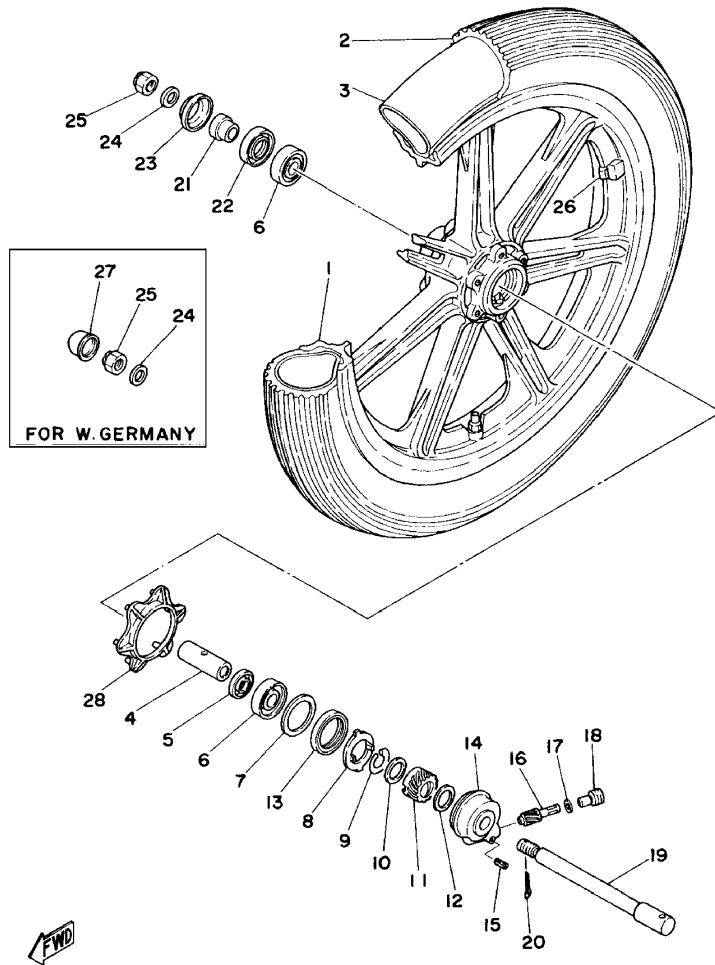
Fig. 28 SEAT (2)



Ref. No.	Parts No.	Description	Q'ty 250	Q'ty 400	France	Holland	Switzerland	Belgium	Sweden	Finland	Denmark	Norway	Austria	England	Italy	Remarks
28-22	1A0-24705-00	SEAT LOCK ASS'Y	1	1	x	x	x	x	x	x	x	x	x	x	x	Yamaha Black
28-23	92706-06012	SCREW, flathead	2	2	x	x	x	x	x	x	x	x	x	x	x	
28-24	1T4-24741-00	PAD, seat	2	2	x	x	x	x	x	x	x	x	x	x	x	
28-25	214-24724-00	DAMPER, seat	2	2	x	x	x	x	x	x	x	x	x	x	x	
28-26	278-27114-00	STOPPER, main stand	1	1	x	x	x	x	x	x	x	x	x	x	x	
28-27	341-28185-00	LID	1	1	x	x	x	x	x	x	x	x	x	x	x	
28-28	90480-06007	GROMMET (341-28187-00)	1	1	x	x	x	x	x	x	x	x	x	x	x	
28-29	341-28188-00	PLUNGER	1	1	x	x	x	x	x	x	x	x	x	x	x	
28-30	1A2-24785-20-H6	MOLD, double seat left	1	1	x	x	x	x	x	x	x	x	x	x	x	Macho Maroon
	1A2-24785-20-20	MOLD, double seat left	1	1	x	x	x	x	x	x	x	x	x	x	x	Crystal Silver
	1A2-24785-20-36	MOLD, double seat left	1	1	x	x	x	x	x	x	x	x	x	x	x	Clean White
	1A2-24785-20-75	MOLD, double seat left	1	1	x	x	x	x	x	x	x	x	x	x	x	Marine Blue
28-31	1A2-24785-10-H6	MOLD, double seat right	1	1	x	x	x	x	x	x	x	x	x	x	x	Macho Maroon
	1A2-24785-10-20	MOLD, double seat right	1	1	x	x	x	x	x	x	x	x	x	x	x	Crystal Silver
	1A2-24785-10-36	MOLD, double seat right	1	1	x	x	x	x	x	x	x	x	x	x	x	Clean White
	1A2-24785-10-75	MOLD, double seat right	1	1	x	x	x	x	x	x	x	x	x	x	x	Marine Blue
28-32	1J7-24789-00	RIVET	4	4	x	x	x	x	x	x	x	x	x	x	x	
28-33	1J7-24735-00	SPEED NUT, seat mold	4	4	x	x	x	x	x	x	x	x	x	x	x	
28-34	1J7-24722-00	WASHER, plain	8	8	x	x	x	x	x	x	x	x	x	x	x	
28-35	1J7-24777-00	BOLT, special	4	4	x	x	x	x	x	x	x	x	x	x	x	
28-34	95301-04600	Nut	4	4	x	x	x	x	x	x	x	x	x	x	x	



Fig. 29 FRONT WHEEL (1) (Casting Wheel Type)

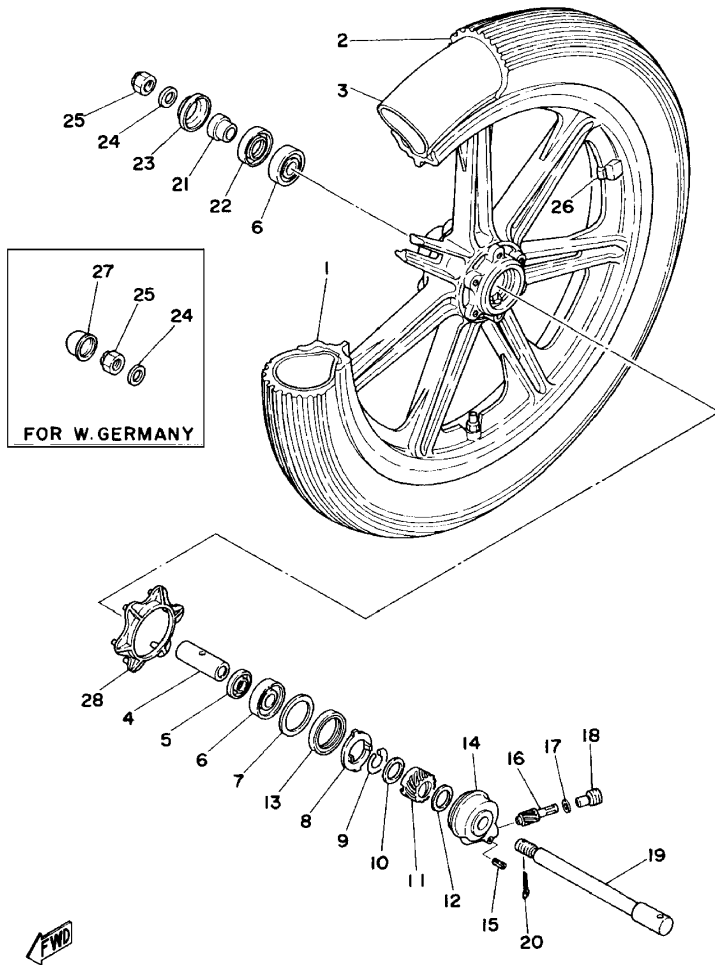


Ref.No.	Parts No.	Description	Q'ty	Q'ty	Applicable Machine No.	Remarks
			250	400		
29-1	2A2-25168-20	WHEEL, cast front	1	1		
29-2	94130-18225	TIRE, front (3.00-18-4PR)	1			
	94130-18243	TIRE, front (3.00-18-4PR)		1		
29-3	94227-18095	TUBE (2.75-18)	1			
	94230-18084	TUBE (3.00-18)		1		
29-4	90560-15161	SPACER	1	1		
29-5	2R6-25115-00	FLANGE, spacer	1	1		
29-6	93306-30206	BEARING (B6302ZZ)	2	2		
29-7	341-25846-00	RETAINER, clutch meter	1	1		
29-8	341-25149-00	CLUTCH, meter	1	1		
29-9	341-25137-00	RING, stop	1	1		
29-10	90201-25286	WASHER, plate (341-25147-00)	1	1		
29-11	351-25135-00	GEAR, drive	1	1		
29-12	90201-25490	WASHER, plate (152-17226-00)	1	1		
29-13	93105-45017	OIL SEAL (SDD-45-56-6)	1	1		
29-14	404-25191-00	HOUSING, gear unit	1	1		
29-15	91609-20014	PIN, spring	1	1		
29-16	351-25138-00	GEAR, meter	1	1		
29-17	102-18416-00	SHIM, rod (6.2-9.5-0.8)	1	1		
29-18	306-25136-00	BUSHING	1	1		
29-19	1L9-25181-00	SHAFT, wheel	1	1		
29-20	91401-30030	PIN, cotter	1	1		
29-21	90387-15550	COLLAR	1	1		
29-22	93102-22014	OIL SEAL (SD-22-42-7)	1	1		
29-23	401-25367-00	COVER, dust	1	1		
29-24	92901-14200	WASHER, plain	1	1		
	90209-14136	WASHER	1	1		for W.GERMANY
29-25	90171-14020	NUT, castle	1	1		
29-27	1A1-25398-01	BALANCER, wheel (20g)	U.N.	U.N.		
	1A1-25399-00	BALANCER, wheel (10g)				
29-28	521-25188-00	COVER	1	1		Exclusive for W.GERMANY





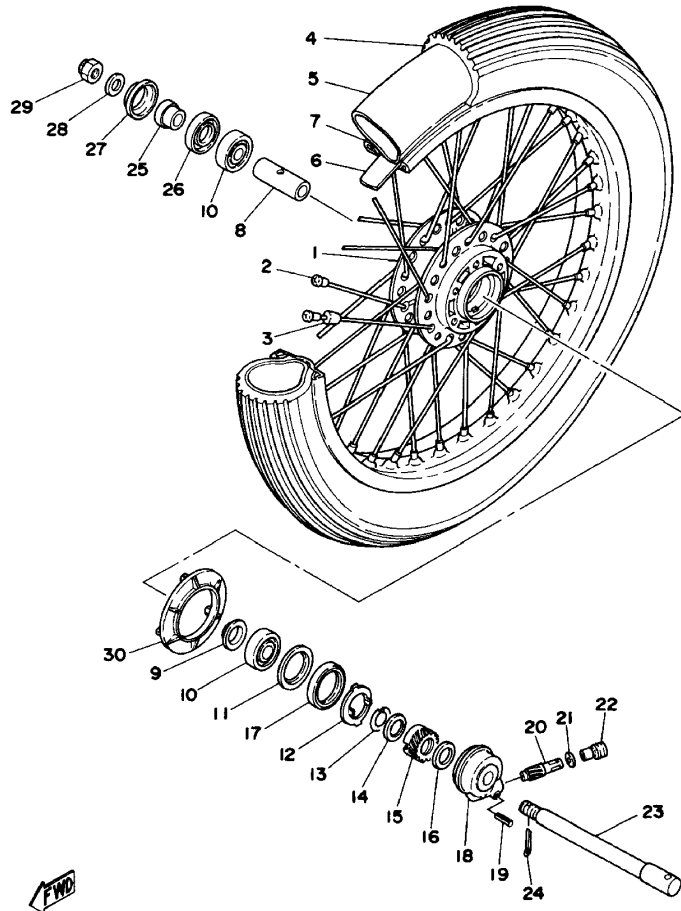
Fig. 29 FRONT WHEEL (2) (Casting Wheel Type)



Ref.No.	Parts No.	Description	Q'ty 250	Q'ty 400	Applicable Machine No.	Remarks
29-26	1A1-25398-01	BALANCER, wheel (20g)	U.N.	U.N.		
	1A1-25399-00	BALANCER, wheel (10g)				
29-27	521-25188-00	COVER	1	1		for W.GERMANY
29-28	1U4-25847-00	COVER, housing	1	1		



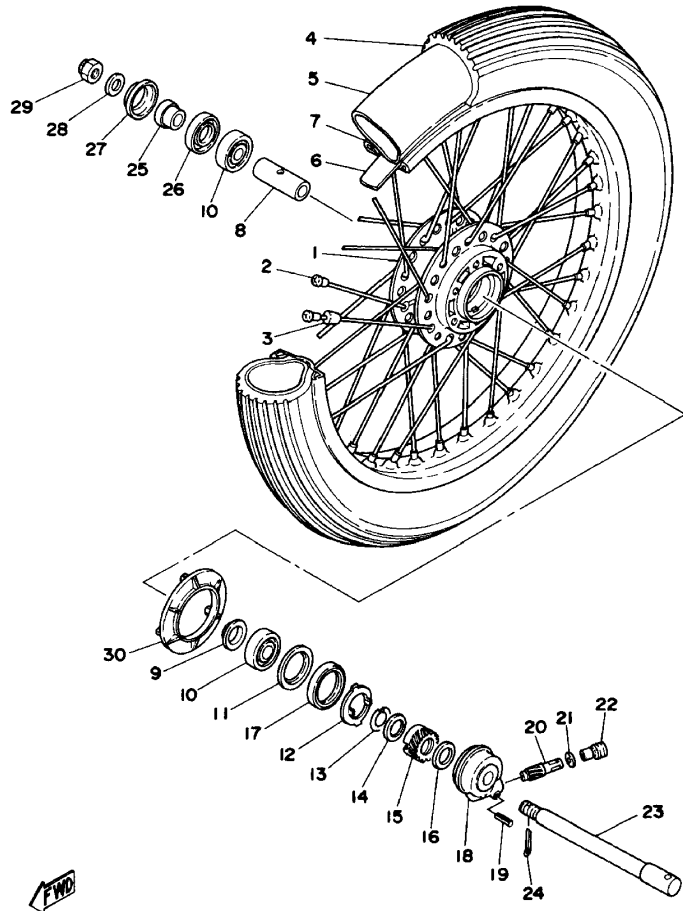
**Fig. 30 FRONT WHEEL (I)** (Spoke Wheel Type -  
ALTERNATE PARTS: ENGLAND Only)



Ref.No.	Parts No.	Description	Q'ty 250	Q'ty 400	Applicable Machine No.	Remarks
30-1	1L9-25111-00	HUB, front	1	1		
30-2	351-25104-00	SPOKE SET	1s	1s		
30-3	156-25398-00	BALANCER, wheel	U.N.	U.N.		
30-4	94130-18225	TIRE, front (3.00-18-4PR)	1	1		
30-5	94227-18095	TUBE, front (2.75-18)	1			
	94230-18012	TUBE, front (3.00-18)		1		
30-6	94325-18043	BAND, rim (2.50-18)	1	1		
30-7	94418-18084	RIM (1.85B-18)	1	1		
30-8	90560-15161	SPACER	1	1		
30-9	146-25115-00	FLANGE, spacer	1	1		
30-10	93306-30203	BEARING (B6302Z)	2	2		
30-11	341-25846-00	RETAINER, clutch meter	1	1		
30-12	341-25149-00	CLUTCH, meter	1	1		
30-13	341-25137-00	RING, stop	1	1		
30-14	90201-25286	WASHER, plate (152-17226-00)	1	1		
30-15	351-25135-00	GEAR, drive	1	1		
30-16	90201-25490	WASHER, plate (152-17226-00)	1	1		
30-17	93105-45017	OIL SEAL (SDD-45-56-6)	1	1		
30-18	404-25191-00	HOUSING, gear unit	1	1		
30-19	91609-20014	PIN, spring	1	1		
30-20	351-25138-00	GEAR, meter	1	1		
30-21	102-18416-00	SHIM, rod (6.2-9.5-0.8)	1	1		
30-22	306-25136-00	BUSHING	1	1		
30-23	1L9-25181-00	SHAFT, wheel	1	1		
30-24	91401-30030	PIN, cotter	1	1		
30-25	90387-15550	COLLAR	1	1		
30-26	93102-22014	OIL SEAL (SD-28-42-7)	1	1		
30-27	401-25367-00	COVER, dust	1	1		
30-28	92901-14200	WASHER, plain	1	1		



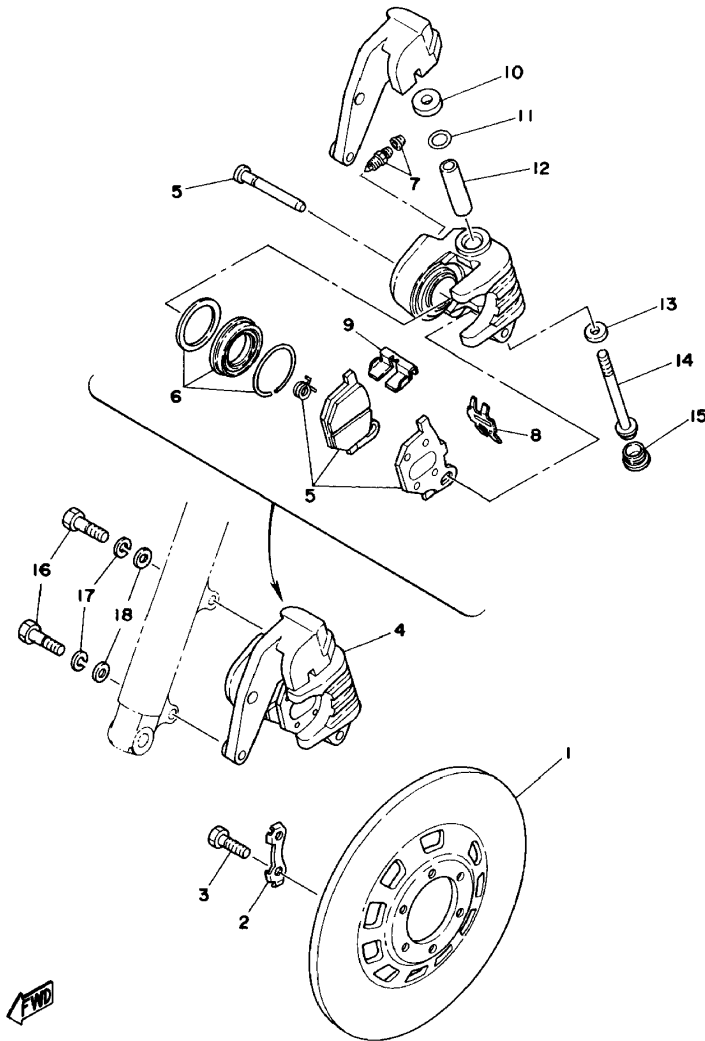
**Fig. 30 FRONT WHEEL (2)** (Spoke Wheel Type -  
ALTERNATE PARTS: ENGLAND Only)



Ref.No.	Parts No.	Description	Qty 250	Qty 400	Applicable Machine No.	Remarks
30-29	90171-14020	NUT, castle	1	1		
30-30	1L9-25847-00	COVER, housing	1	1		



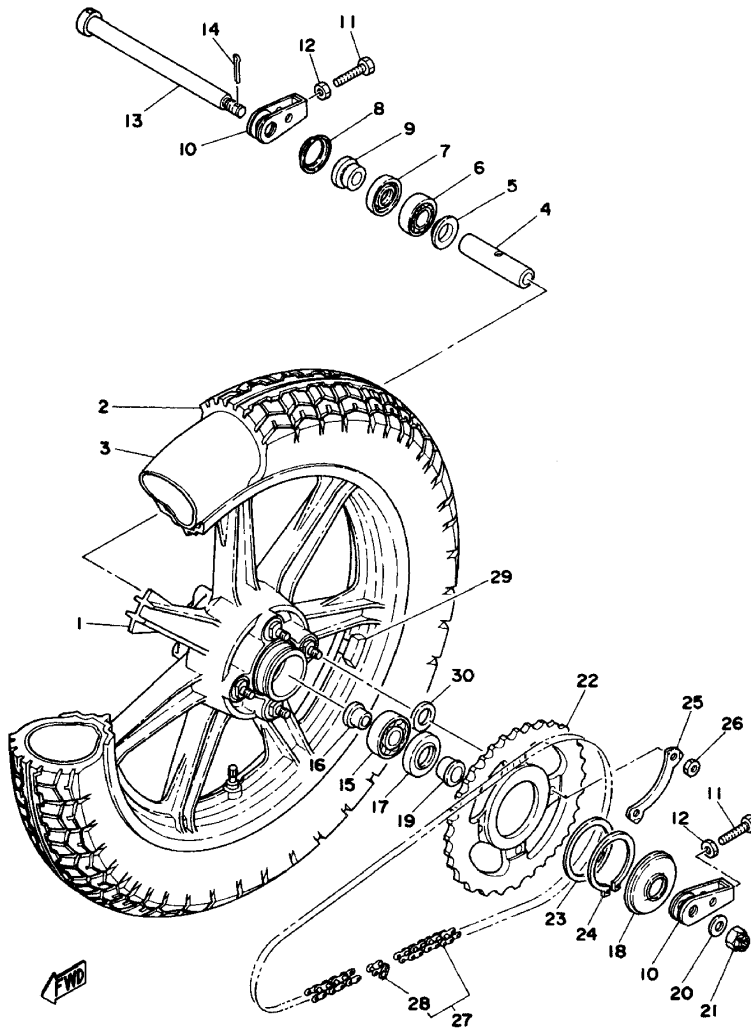
Fig. 31 FRONT DISK BRAKE - CALIPER



Ref.No.	Parts No.	Description	Q'ty		Applicable Machine No.	Remarks
			250	400		
31-1	1J3-25831-50	DISK, brake	1	1		
31-2	1J3-25834-01	WASHER, lock	3	3		
31-3	90101-08312	BOLT, hexagon	6	6		
31-4	2R8-25810-00	FRONT CALIPER ASS'Y	1	1		
31-5	2G2-W0045-00	. BRAKE PAD SET	1	1		
31-6	2G2-W0047-00	. CALIPER SEAL KIT	1	1		
31-7	1J3-W0048-00	. SCREW, bleed with cap	1	1		
31-8	2G2-25919-00	. PAD, spring	1	1		
31-9	2G2-25849-01	. RETAINER	1	1		
31-10	92901-08689	. WASHER, plate (8.2-28-4.5)	1	1		
31-11	2G2-W0044-00	. O-RING SET	1	1		
31-12	2G2-25838-00	. SLEEVE	1	1		
31-13	90201-09690	. WASHER, plate (9-20-3.2)	1	1		
31-14	2G2-25821-00	. BOLT, swing	1	1		
31-15	2G2-25916-00	. CAP, swing bolt	1	1		
31-16	90101-10308	BOLT, hexagon	2	2		
31-17	92901-10100	WASHER, spring	2	2		
31-18	92901-10200	WASHER, plain	2	2		



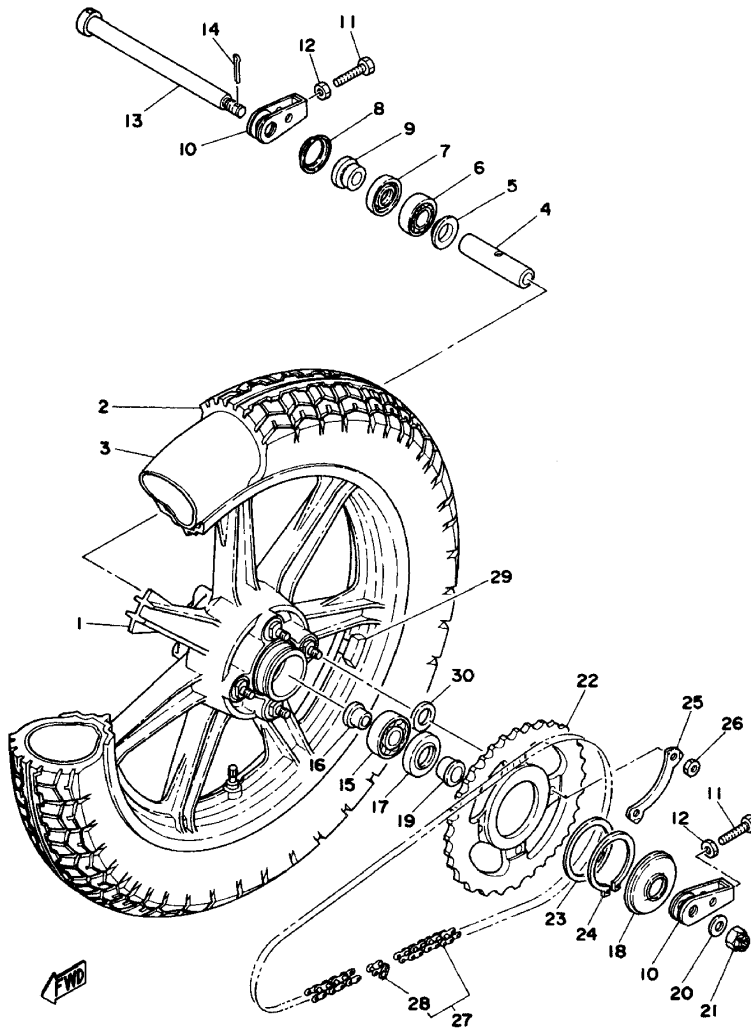
Fig. 32 REAR WHEEL (Casting Wheel Type) (1)



Ref. No.	Parts No.	Description	Q'ty 250	Q'ty 400	France	Holland	W.Germany	Switzerland	Belgium	Sweden	Finland	Denmark	Norway	Austria	England	Italy	Remarks
32-1	2A2-W2533-20	WHEEL, cast rear	1	1	x	x	x	x	x	x	x	x	x	x	x	x	
32-2	94132-18223	TIRE, rear (3.25S-18-4PR)	1			x	x		x						x		
	94135-18224	TIRE, rear (3.50S-18-4PR)	1					x							x		
	94135-18280	TIRE, rear (3.50S-18-4PR)		1	x	x	x		x	x		x		x	x	x	
32-3	94232-18020	TUBE, rear (3.25-18)	1		x	x		x	x			x			x		
	94232-18096	TUBE, rear (3.25-18)	1					x							x		
	94235-18085	TUBE, rear (3.50-18)		1	x	x	x		x	x		x		x	x	x	
32-4	1J3-25317-00	SPACER, bearing	1	1	x	x	x	x	x	x		x		x	x	x	
32-5	1A1-25115-00	FLANGE, spacer	1	1	x	x	x	x	x	x		x		x	x	x	
32-6	93306-30309	BEARING (B6303Z)	1	1	x	x	x	x	x	x		x		x	x	x	
32-7	93102-28022	OIL SEAL (SD-28-47-7)	1	1	x	x	x	x	x	x		x		x	x	x	
32-8	1J3-25118-00	COVER, dust	1	1	x	x	x	x	x	x		x		x	x	x	
32-9	90387-17536	COLLAR	1	1	x	x	x	x	x	x		x		x	x	x	
32-10	168-25389-10	PULLER, chain	2	2	x	x	x	x	x	x		x		x	x	x	
32-11	90101-08034	BOLT (168-25379-00)	2	2	x	x	x	x	x	x		x		x	x	x	
32-12	95301-08700	NUT	2	2	x	x	x	x	x	x		x		x	x	x	
32-13	1J3-25381-00	SHAFT, rear wheel	1	1	x	x	x	x	x	x		x		x	x	x	
32-14	91401-30030	PIN, cotter	1	1	x	x	x	x	x	x		x		x	x	x	
32-15	93306-30417	BEARING (B6304Z)	1	1	x	x	x	x	x	x		x		x	x	x	
32-16	1A1-25377-00	COLLAR, shaft	1	1	x	x	x	x	x	x		x		x	x	x	
32-17	93104-27026	OIL SEAL (S0-27-52-5)	1	1	x	x	x	x	x	x		x		x	x	x	
32-18	1L9-25367-00	COVER	1	1	x	x	x	x	x	x		x		x	x	x	
32-19	90387-17551	COLLAR	1	1	x	x	x	x	x	x		x		x	x	x	
32-20	92901-14200	WASHER, plain	1	1	x	x	x	x	x	x		x		x	x	x	
32-21	90171-14020	NUT, castle (275-25382-00)	1	1	x	x	x	x	x	x		x		x	x	x	
32-22	2R8-25438-20-33	GEAR, sprocket wheel (38T)	1	1	x	x	x	x	x	x		x		x	x	x	Yamaha Black
	2R8-25436-20	GEAR, sprocket wheel (36T)	1	1					x								Yamaha Black
32-23	90201-66585	WASHER (66.5-80-2)	1	1	x	x	x	x	x	x		x		x	x	x	



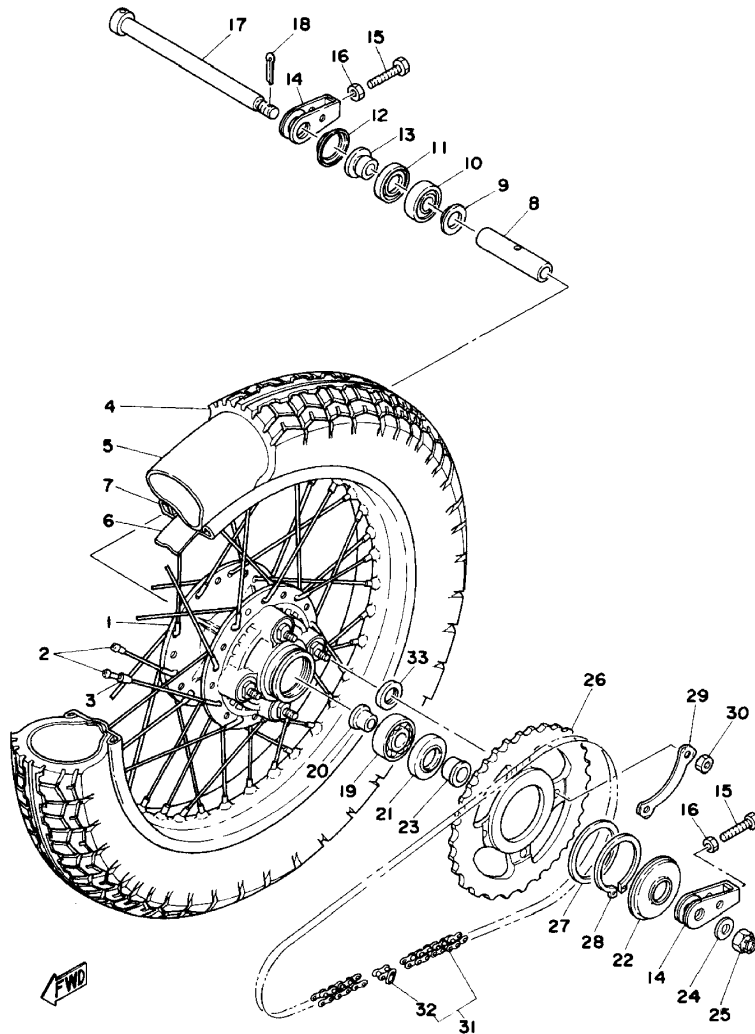
Fig. 32 REAR WHEEL (Casting Wheel Type) (2)



Ref. No.	Parts No.	Description	Q'ty 250	Q'ty 400	France	Holland	W. Germany	Switzerland	Belgium	Sweden	Finland	Denmark	Norway	Austria	England	Italy	Remarks
32-24	93410-65040	CIRCLIP (S-62)	1	1	x	x	x	x	x	x	x	x	x	x	x	x	
32-25	1J3-25412-00	WASHER, lock	2	2	x	x	x	x	x	x	x	x	x	x	x	x	
32-26	95302-12700	NUT, hexagon	4	4	x	x	x	x	x	x	x	x	x	x	x	x	
32-27	94580-10096	CHAIN (DK50DS-96L)	1	1	x	x	x	x	x	x	x	x	x	x	x	x	
32-28	94685-30011	. JOINT, chain	1	1	x	x	x	x	x	x	x	x	x	x	x	x	
32-29	1A1-25398-01	BALANCER, wheel (20g)	U.N.	U.N.	x	x	x	x	x	x	x	x	x	x	x	x	
	1A1-25399-00	BALANCER, wheel (10g)			x	x	x	x	x	x	x	x	x	x	x	x	
32-30	90387-20565	COLLAR	4	4	x	x	x	x	x	x	x	x	x	x	x	x	



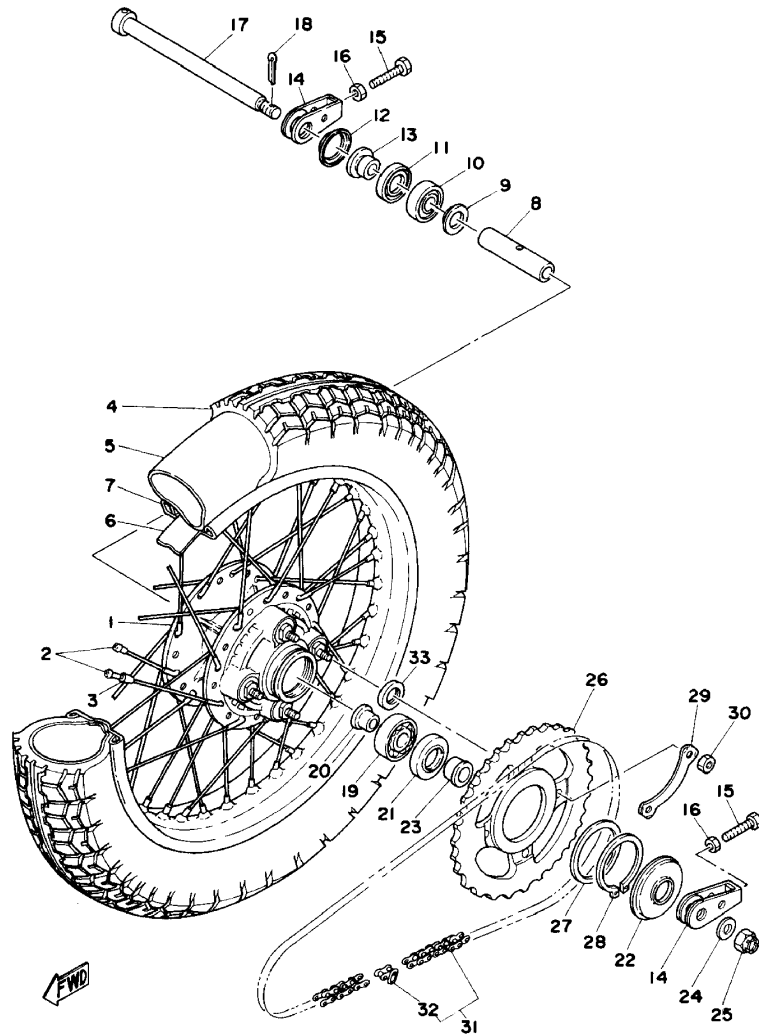
**Fig. 33 REAR WHEEL (1)** (Spoke Wheel Type -  
ALTERNATE PARTS: ENGLAND Only)



Ref.No.	Parts No.	Description	Q'ty 250	Q'ty 400	Applicable Machine No.	Remarks
33-1	1U5-W2531-00	HUB, rear	1	1		
33-2	1J3-25304-01	SPOKE SET	1s	1s		
33-3	156-25398-00	BALANCER, wheel	U.N.	U.N.		
33-4	94132-18223	TIRE, rear (3.25S-18-4PR)	1			
	94135-18224	TIRE, rear (3.50S-18-4PR)		1		
33-5	94232-18020	TUBE (3.25-18)	1			
	94235-18022	TUBE (3.50-18)		1		
33-6	94325-18043	BAND, rim (2.50-18)	1	1		
33-7	94418-18181	RIM (1.85-18)	1	1		
33-8	1J1-25317-00	SPACER, bearing	1	1		
33-9	152-25115-00	FLANGE, spacer	1	1		
33-10	93306-30306	BEARING (B6303)	1	1		
33-11	93102-28022	OIL SEAL (SD-28-47-7)	1	1		
33-12	1J3-25118-00	COVER, hub dust	1	1		
33-13	90387-17536	COLLAR	1	1		
33-14	168-25389-10	PULLER, chain	2	2		
33-15	90101-08034	BOLT (168-25379-00)	2	2		
33-16	95301-08700	NUT	2	2		
33-17	1J3-25381-00	SHAFT, rear wheel	1	1		
33-18	91401-30030	PIN, cotter	1	1		
33-19	93306-30416	BEARING (B6304RS)	1	1		
33-20	1A1-25377-00	COLLAR, shaft	1	1		
33-21	93104-28026	OIL SEAL (S0-27-52-5)	1	1		
33-22	1L9-25367-00	COVER, hub dust	1	1		
33-23	90387-17551	COLLAR	1	1		
33-24	92901-14200	WASHER, plain	1	1		
33-25	90171-14020	NUT, castle	1	1		
33-26	2R8-25438-20-33	GEAR, sprocket wheel (38T)	1	1		
33-27	90201-66585	WASHER, plate (66.5-80-2)	1	1		



**Fig. 33 REAR WHEEL (2)** (Spoke Wheel Type - ALTERNATE PARTS: ENGLAND Only)

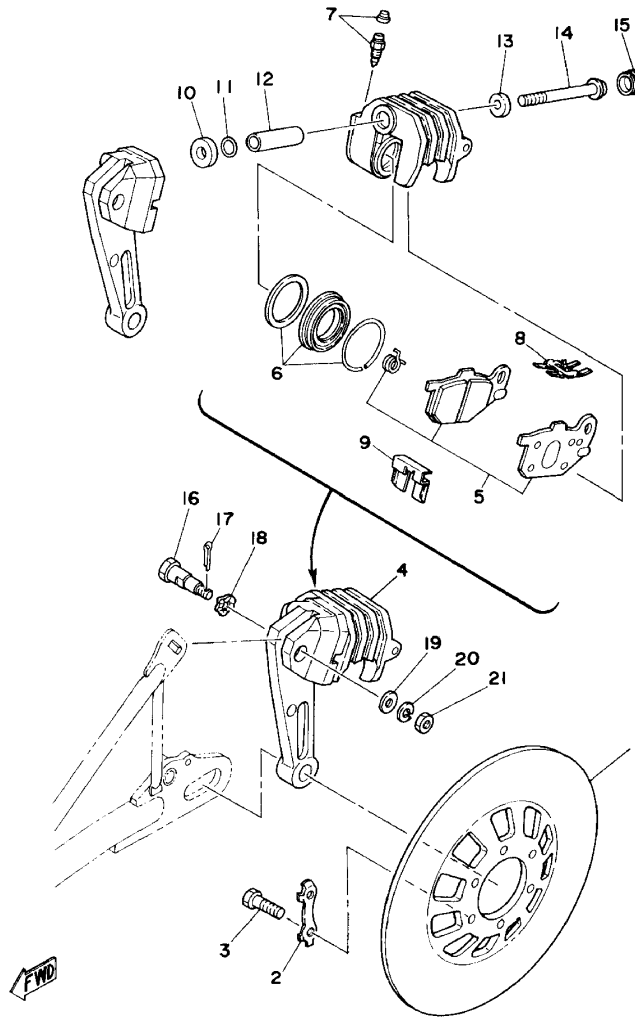


Ref.No.	Parts No.	Description	Qty		Applicable Machine No.	Remarks
			250	400		
33-28	93410-65040	CIRCLIP (S-65)	1	1		
33-29	1J3-25412-00	WASHER, lock	2	2		
33-30	95302-12700	NUT, hexagon	4	4		
33-31	94580-10096	CHAIN (DK50DS-96L)	1	1		
33-32	94685-30011	. JOINT, chain	1	1		
33-33	90387-20565	COLLAR	4	4		





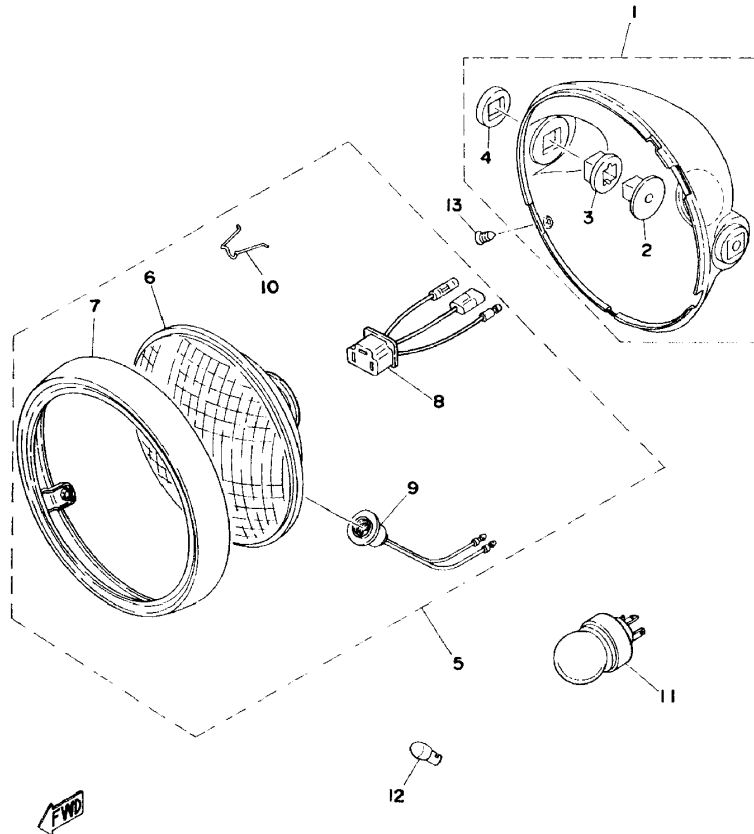
Fig. 34 REAR DISK BRAKE - CALIPER



Ref.No.	Parts No.	Description	Q'ty	Q'ty	Applicable	Remarks
			250	400		
34-1	1J3-25831-50	DISK, brake	1	1		
34-2	1J3-25834-01	WASHER, lock	1	1		
34-3	90101-08312	BOLT, hexagon	6	6		
34-4	2R8-25810-50	REAR CALIPER ASS'Y	1	1		
34-5	2G2-W0045-00	. BRAKE PAD SET	1	1		
34-6	2G2-W0047-00	. CALIPER SEAL SET	1	1		
34-7	1J3-W0048-00	. SCREW, bleed with cap	1	1		
34-8	2G2-25919-00	. PAD, spring	1	1		
34-9	2G2-25849-01	. RETAINER	1	1		
34-10	90201-08689	. WASHER, plate (8.2-28-4.5)	1	1		
34-11	2G2-W0044-00	. O-RING SET	1	1		
34-12	2G2-25838-00	. SLEEVE	1	1		
34-13	90201-09690	. WASHER, plate (9-20-3.2)	1	1		
34-14	2G2-25821-00	. BOLT, swing	1	1		
34-15	2G2-25916-00	. CAP, swing bolt	1	1		
34-16	90109-084542	BOLT	1	1		
34-17	91401-20015	Pin; COTTER	1	1		
34-18	90206-12034	WASHER (826-18195-00)	1	1		
34-19	92901-08600	WASHER, plate	1	1		
34-20	92901-08100	WASHER, spring	1	1		
34-21	90170-08158	NUT	1	1		



Fig. 35 HEAD LAMP 1

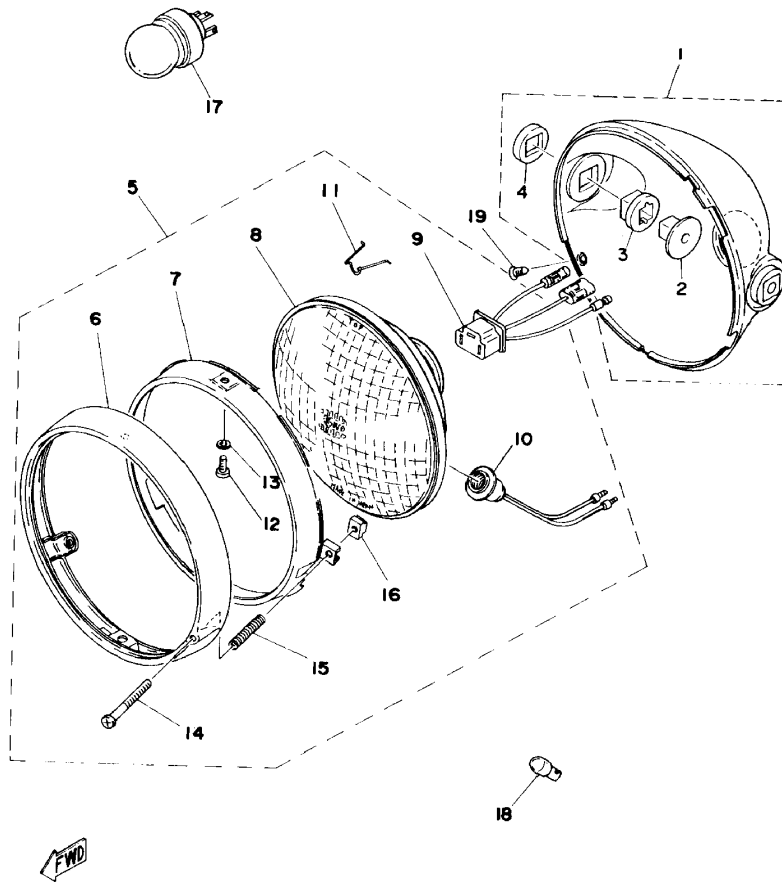


Ref. No.	Parts No.	Description	Q'ty 250	Q'ty 400	France	Holland	Switzerland	Belgium	Sweden	Denmark	Norway	Austria	Finland	Italy	Remarks
35-1	1A0-84330-60-33	HEAD LAMP BODY ASS'Y	1	1	x	x	x	x	x	x	x	x	x	x	Yamaha Black
35-2	498-84145-60	. COLLAR	2	2	x	x	x	x	x	x	x	x	x		
35-3	498-84163-60	. BUSHING	2	2	x	x	x	x	x	x	x	x	x		
35-4	498-84164-60	. BUSHING	2	2	x	x	x	x	x	x	x	x	x		
35-5	1A2-84310-41	HEAD LAMP UNIT ASS'Y	1	1	x		x	x	x	x	x	x	x		
	1A2-84310-21	HEAD LAMP UNIT ASS'Y	1	1	x										
35-6	1A2-84320-46	. LENS ASS'Y	1	1		x	x	x	x		x	x	x		
	1A2-84320-21	. LENS ASS'Y	1	1	x										
35-7	1A2-84315-45	. RIM, head lamp	1	1	x	x	x	x	x	x	x	x	x		
35-8	371-84312-60	. SOCKET ASS'Y	1	1	x	x	x	x	x	x	x	x	x		
35-9	1R6-84146-30	. SOCKET ASS'Y	1	1	x	x	x	x	x	x	x	x	x		
35-10	290-84124-21	. SPRING, reflector set	3	3	x	x	x	x	x	x	x	x	x		
35-11	*	BULB, head lamp (12V-45/40W)	1	1		x	x	x	x	x	x	x	x		Yellow Bulb
	*	BULB, head lamp (12V-45/40W)	1	1	x										
35-12	*	BULB (12V-4W)	1	1	x	x	x	x	x	x	x	x	x		
35-13	90152-05005	SCREW, rim fitting	1	1	x	x	x	x	x	x	x	x	x		

\* The parts marked with \* in the part No. Column are not supplied with by Yamaha, those have to be found locally



Fig. 36 HEAD LAMP 2

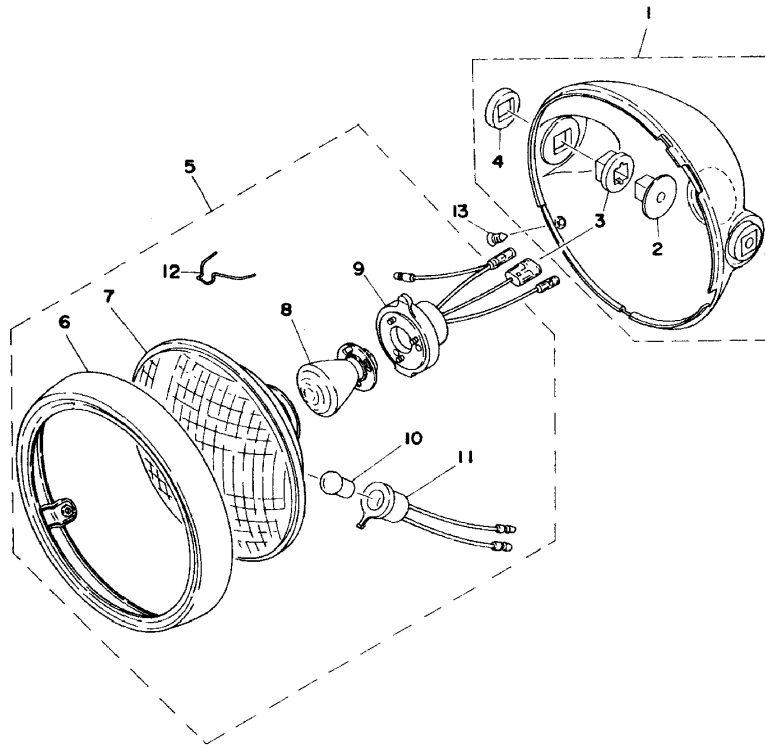


Ref. No.	Parts No.	Description	Q'ty 250	Q'ty 400	France	Holland	Switzerland	W.Germany	Belgium	Sweden	Denmark	Norway	Austria	Finland	Italy	Remarks
36-1	1A0-84330-60-33	HEAD LAMP BODY ASS'Y	1	1			x									Yamaha Black
36-2	498-84145-60	. COLLAR	2	2			x									
36-3	498-84163-60	. BUSHING	2	2			x									
36-4	498-84164-60	. BUSHING	2	2			x									
36-5	1A2-84310-46	HEAD LAMP UNIT ASS'Y	1	1			x									
36-6	1A0-84315-60	. RIM, head lamp	1	1			x									
36-7	1A0-84395-60	. RING, retaining	1	1			x									
36-8	1A2-84320-46	. LENS ASS'Y	1	1			x									
36-9	371-84312-60	. SOCKET ASS'Y	1	1			x									
36-10	1R6-84146-30	. SOCKET ASS'Y	1	1			x									
36-11	195-84324-00	. SPRING, reflector set	3	3			x									
36-12	438-84392-60	. SCREW	2	2			x									
36-13	92901-05100	. WASHER, spring	2	2			x									
36-14	90157-04001	. SCREW (214-84131-61)	1	1			x									
36-15	1A0-84332-60	. SPRING, adjusting	1	1			x									
36-16	198-84334-60	. NUT	1	1			x									
36-17	*	BULB, head lamp (12V-45/40W)	1	1			x									
36-18	*	BULB (12V-4W)	1	1			x									
36-19	90152-05005	SCREW, rim fitting	1	1			x									

\*The parts marked with \* in the part No. Column are not supplied with by Yamaha, those have to be found locally



Fig. 37 HEAD LAMP 3

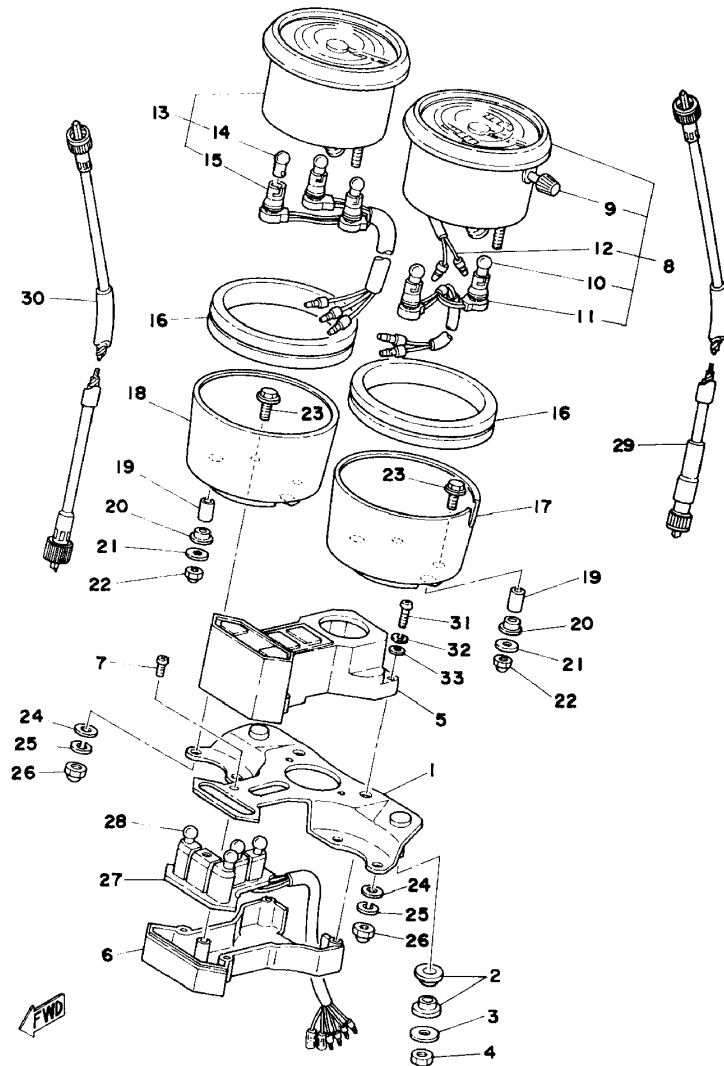


115

Ref. No.	Parts No.	Description	Q'ty 250	Q'ty 400	France	Holland	W.Germany	Switzerland	Belgium	Sweden	Denmark	Norway	Austria	England	Italy	Remarks
37-1	1A0-84330-60-33	HEAD LAMP BODY ASS'Y	1	1											x	Yamaha Black
37-2	498-84145-60	. COLLAR	2	2											x	
37-3	498-84163-60	. BUSHING	2	2											x	
37-4	498-84164-60	. BUSHING	2	2											x	
37-5	1A2-84310-30	HEAD LAMP UNIT ASS'Y	1	1											x	
37-6	1A2-84315-45	. RIM, head lamp	1	1											x	
37-7	1A2-84320-30	. LENS ASS'Y	1	1											x	
37-8	817-84314-09	. BULB, head lamp (12V-35/35W)	1	1											x	
37-9	359-84312-00	. SOCKET ASS'Y	1	1											x	
37-10	123-83516-21	. BULB (12V-3.4W)	1	1											x	
37-11	357-84312-00	. SOCKET ASS'Y	1	1											x	
37-12	290-84124-21	. SPRING, reflector set	3	3											x	
36-13	90152-05005	SCREW, rim fitting	1	1											x	



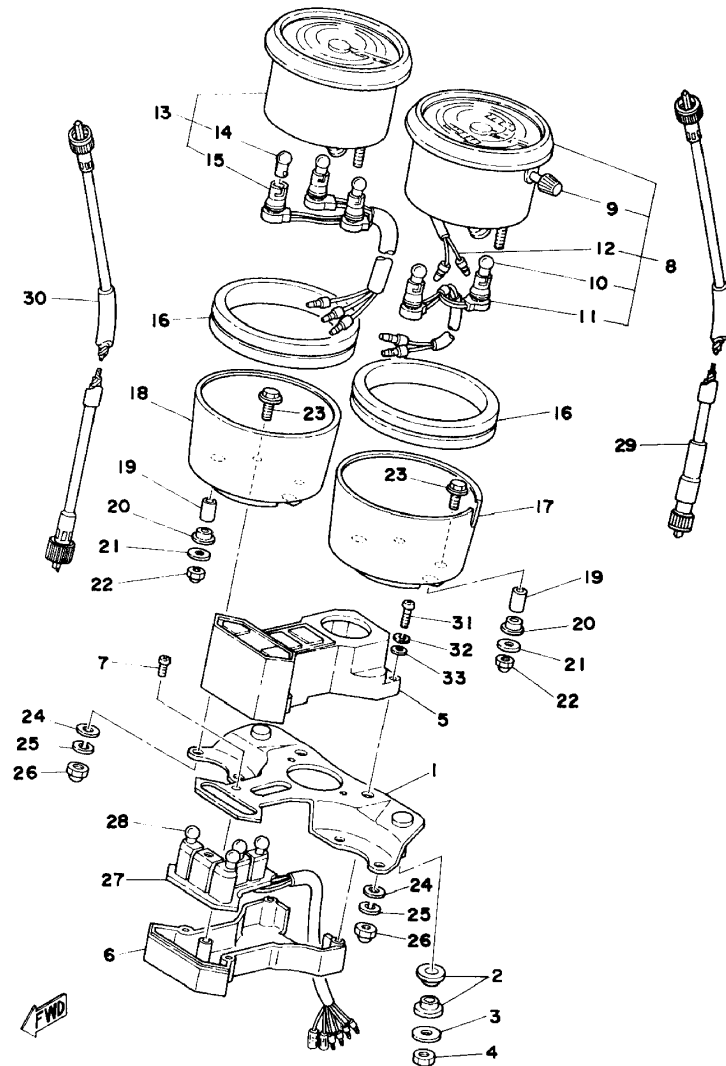
Fig. 38 SPEEDOMETER - TACHOMETER (1)



Ref.No.	Parts No.	Description	Q'ty 250	Q'ty 400	Applicable Machine No.	Remarks
38-1	1A0-83519-01	BRACKET, meter	1	1		
38-2	1A0-83523-00	DAMPER	4	4		
38-3	90201-06063	WASHER, plate (810-77318-00)	2	2		
38-4	95301-06600	NUT, hexagon	2	2		
38-5	1J3-83568-71	PILOT BOX, upper	1	1		
38-6	1J3-83569-71	PILOT BOX, under	1	1		
38-7	98501-05010	SCREW, panhead	1	1		
38-8	1A2-83570-21	SPEEDOMETER ASS'Y	1	1		Km/h
	1A0-83570-41	SPEEDOMETER ASS'Y	1	1		Mile/h for England
38-9	584-83578-71	. KNOB, trip meter	1	1		
38-10	123-83516-21	. BULB (12V-3.4W)	2	2		
38-11	1A0-83536-01	. SOCKET CORD ASS'Y 1	1	1		
38-12	1A0-83556-01	. SOCKET CORD ASS'Y 4	1	1		Reed switch
38-13	1A0-83540-02	TACHOMETER ASS'Y	1	1		
38-14	123-83516-21	. BULB (12V-3.4W)	3	3		
38-15	1A0-83520-01	. SOCKET CORD ASS'Y 3	1	1		
38-16	1A0-83513-00	DAMPER, meter	2	2		
38-17	1A0-83507-00	COVER, speedometer	1	1		
38-18	1A0-83508-00	COVER, tachometer	1	1		
38-19	1A0-83522-00	COLLAR	4	4		
38-20	584-83523-00	DAMPER, meter cover fitting	4	4		
38-21	92901-05200	WASHER, plain	4	4		
38-22	95303-05800	NUT, crown	4	4		
38-23	584-83546-00	BOLT	4	4		
38-24	92901-06200	WASHER, plain	4	4		
38-25	92901-06100	WASHER, spring	4	4		
38-26	95303-06800	NUT, crown	4	4		
38-27	1J3-83509-70	. SOCKET CORD ASS'Y	1	1		
38-28	123-83516-21	BULB (12V-3.4W)	4	4		



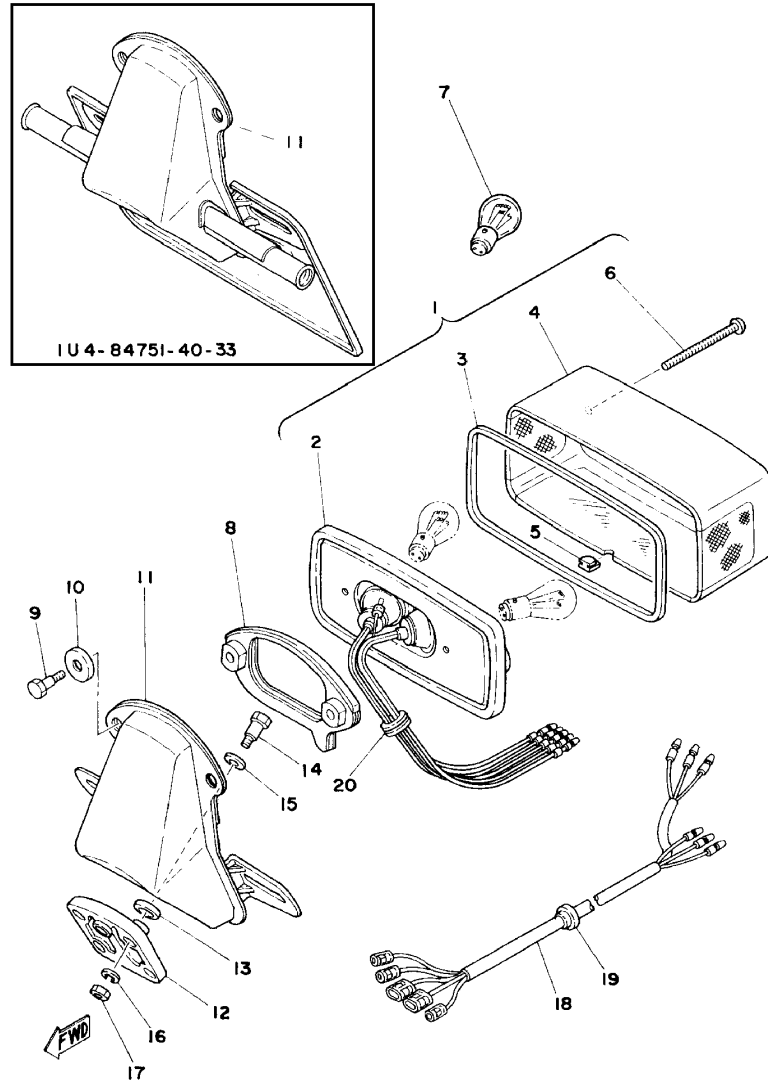
Fig. 38 SPEEDOMETER - TACHOMETER (2)



Ref.No.	Parts No.	Description	Q'ty		Applicable Machine No.	Remarks
			250	400		
38-29	2L0-83550-00	SPEEDOMETER CABLE ASS'Y	1	1		
38-30	360-83560-00	TACHOMETER CABLE ASS'Y	1	1		
38-31	98506-04020	SCREW, panhead	4	4		
38-32	92906-04100	WASHER, spring	4	4		
38-33	92906-04600	WASHER, plate	4	4		



Fig. 39 TAIL LAMP

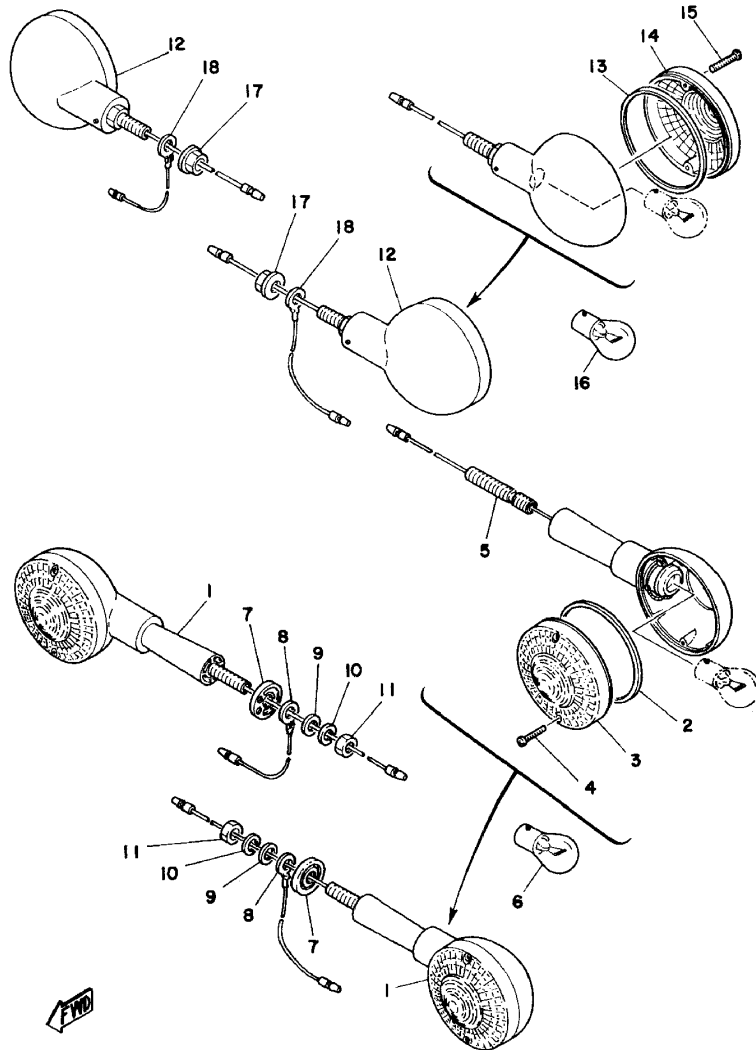


Ref. No.	Parts No.	Description	Q'ty 250	Q'ty 400	France	Holland	W. Germany	Switzerland	Belgium	Sweden	Finland	Denmark	Norway	Austria	England	Italy	Remarks
39-1	IU4-84710-40	TAIL LAMP UNIT ASS'Y	1	1			x		x								
	IU4-84710-70	TAIL LAMP UNIT ASS'Y	1	1	x	x	x	x		x	x	x	x	x	x	x	
39-2	IU4-84711-40	. BASE, tail lamp	1	1	x	x	x	x	x	x	x	x	x	x	x	x	
39-3	1A0-84723-60	. GASKET, tail lamp	1	1	x	x	x	x	x	x	x	x	x	x	x	x	
39-4	1A2-84721-40	. LENS, tail lamp	1	1			x		x								
	1A2-84721-70	. LENS, tail lamp	1	1	x	x	x	x					x	x	x	x	
39-5	1A2-84718-40	. GROMMET	1	1			x			x							
39-6	1A0-84724-60	. SCREW, lens fitting	2	2	x	x	x	x	x	x	x	x	x	x	x	x	
39-7	*	BULB, tail lamp (12V-21/5W)	2	2	x	x	x	x	x	x	x	x	x	x	x	x	
39-8	1A0-84712-60	SEAT, base	1	1	x	x	x	x	x	x	x	x	x	x	x	x	
39-9	1A0-84726-60	SCREW	2	2	x	x	x	x	x	x	x	x	x	x	x	x	
39-10	2H7-84754-00	WASHER, special	2	2	x	x	x	x	x	x	x	x	x	x	x	x	
39-11	IU4-84751-20-33	BRACKET, licence	1	1	x	x			x	x				x	x	x	
	IU4-84751-40-33	BRACKET, licence	1	1			x	x									
39-12	1A2-84753-00	DAMPER	1	1	x	x	x	x	x	x	x	x	x	x	x	x	
39-13	1A2-84753-10	DAMPER	4	4	x	x	x	x	x	x	x	x	x	x	x	x	
39-14	90109-06022	BOLT (338-84552-00)	4	4	x	x	x	x	x	x	x	x	x	x	x	x	
39-15	92901-08200	WASHER, plain	4	4	x	x	x	x	x	x	x	x	x	x	x	x	
39-16	92901-06100	WASHER, spring	4	4	x	x	x	x	x	x	x	x	x	x	x	x	
39-17	95301-06600	NUT, hexagon	4	4	x	x	x	x	x	x	x	x	x	x	x	x	
39-18	2R8-84717-00	CORD, tail lamp	1	1	x	x			x	x				x	x	x	
	2R8-84717-40	CORD, tail lamp	1	1			x	x					x				
39-19	90480-16112	GROMMET (395-84518-00)	1	1	x	x	x	x	x	x	x	x	x	x	x	x	
39-20	90480-12067	GROMMET	1	1	x	x	x	x	x	x	x	x	x	x	x	x	

\*The parts marked with \* in the part No. Column are not supplied with by Yamaha, those have to be found locally



Fig. 40 FLASHER LAMP 1



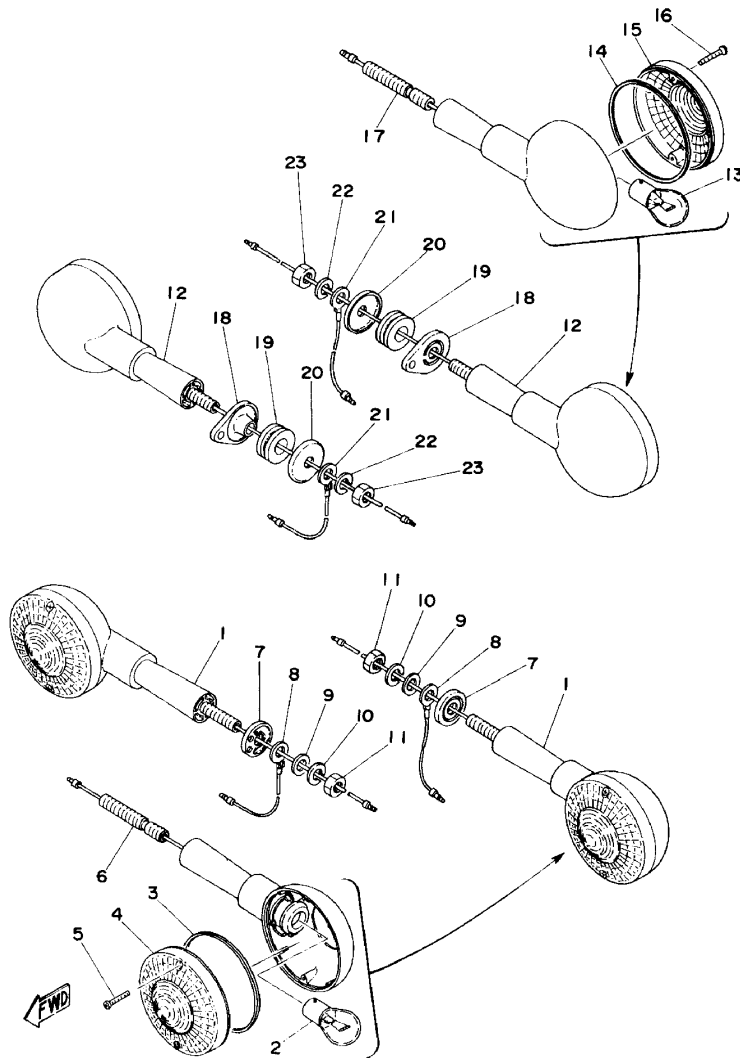
Ref. No.	Parts No.	Description	Q'ty 250	Q'ty 400	France	Holland	Switzerland	Belgium	Sweden	Denmark	Norway	Austria	Finland	Italy	Remarks
40-1	366-83310-41-93	FRONT FLASHER LAMP ASS'Y	2	2			x	x		x					
40-2	341-83313-70	. GASKET, flasher lens	2	2			x	x		x					
40-3	341-83312-70	. LENS, flasher	2	2			x	x		x					
40-4	341-83333-70	. SCREW, lens fitting	4	4			x	x		x					
40-5	341-83367-00	. BOLD, stud	2	2			x	x		x					
40-6	*	BULB, flasher (12V-21W)	2	2			x	x		x					
40-7	360-83316-00	COLLAR, flasher front	2	2			x	x		x					
40-8	371-82519-00	WIRE, earth lead	2	2			x	x		x					
40-9	92901-08200	WASHER, plain	2	2			x	x		x					
40-10	92901-08100	WASHER, spring	2	2			x	x		x					
40-11	95301-08600	NUT, hexagon	2	2			x	x		x					
40-12	533-83330-40-93	REAR FLASHER LAMP ASS'Y	1	1			x	x		x					
40-13	341-83313-70	. GASKET, flasher lens	2	2			x	x		x					
40-14	366-83312-40	. LENS, flasher	2	2			x	x		x					
40-15	341-83333-70	. SCREW, lens fitting	4	4			x	x		x					
40-16	*	BULB, flasher (12V-21W)	2	2			x	x		x					
40-17	95701-10100	NUT, flange	2	2			x	x		x					
40-18	256-83336-01	CORD	2	2			x	x		x					

\* The parts marked with \* in the part No. Column are not supplied with by Yamaha, those have to be found locally





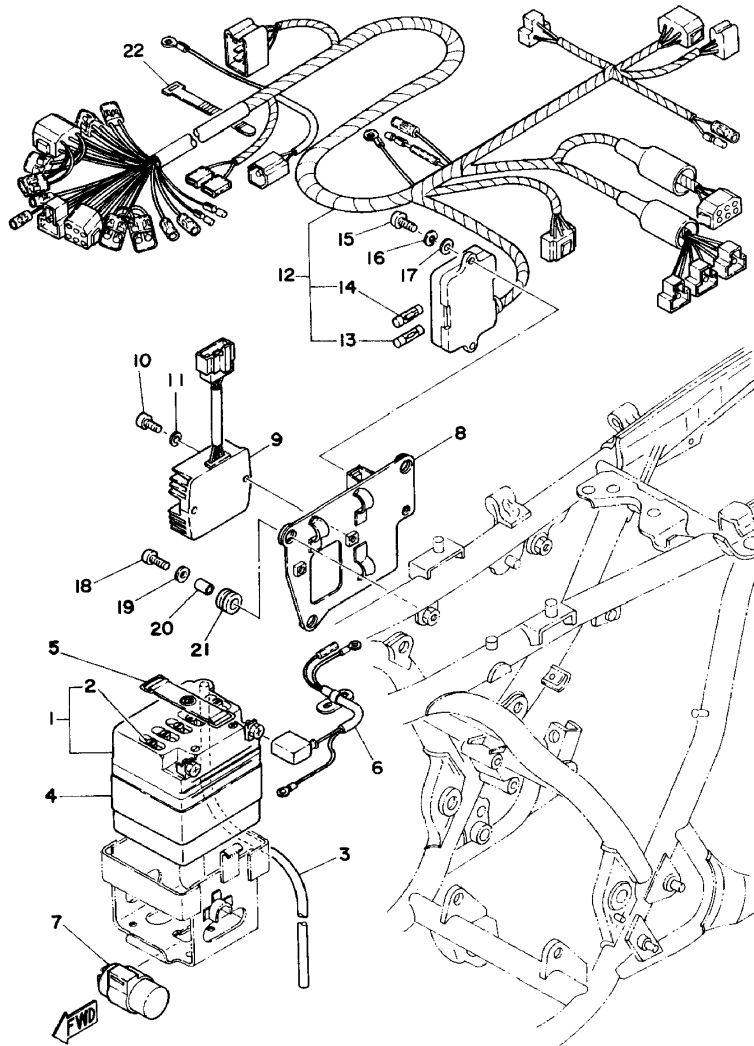
Fig. 41 FLASHER LAMP 2



Ref. No.	Parts No.	Description	Q'ty 250	Q'ty 400	France	Holland	W.Germany	Switzerland	Belgium	Sweden	Finland	Denmark	Norway	Austria	England	Italy	Remarks	
41-1	360-83310-71-93	FRONT FLASHER LAMP ASS'Y	2	2	x	x			x	x						x	x	
	360-83310-50-93	FRONT FLASHER LAMP ASS'Y	2	2												x		
41-2	256-83311-70	BULB, flasher (12V-32CP)	2	2	x	x			x	x						x	x	x
41-3	341-83313-70	. GASKET, flasher lens	2	2	x	x			x	x						x	x	x
41-4	341-83312-70	. LENS, flasher	2	2	x	x			x	x						x	x	x
41-5	341-83333-70	. SCREW, lens fitting	4	4	x	x			x	x						x	x	x
41-6	341-83367-00	. BOLD, stud	2	2	x	x			x	x						x	x	x
41-7	360-83316-00	COLLAR, flasher front	2	2	x	x			x	x						x	x	x
41-8	371-82519-00	WIRE, earth lead	2	2	x	x			x	x						x	x	x
41-9	92901-08200	WASHER, plain	2	2	x	x			x	x						x	x	x
41-10	92901-08100	WASHER, spring	2	2	x	x			x	x						x	x	x
41-11	95301-08600	NUT, hexagon	2	2	x	x			x	x						x	x	x
41-12	360-83330-21-93	REAR FLASHER LAMP ASS'Y	2	2	x	x			x	x						x	x	
	521-83330-50-93	REAR FLASHER LAMP ASS'Y	2	2												x		
41-13	256-83311-70	BULB, flasher (12V-32CP)	2	2	x	x			x	x						x	x	x
41-14	341-83313-70	. GASKET, flasher lens	2	2	x	x			x	x						x	x	x
41-15	341-83312-70	. LENS, flasher	2	2	x	x			x	x						x	x	
	366-83312-40	. LENS, flasher	2	2												x		
41-16	341-83333-70	. SCREW, lens fitting	4	4	x	x			x	x						x	x	x
41-17	360-83367-00	. BOLD, stud	2	2	x	x			x	x						x	x	x
41-18	360-83326-00	COLLAR, flasher rear	2	2	x	x			x	x						x	x	x
41-19	90480-18128	GROMMET (360-83321-00)	2	2	x	x			x	x						x	x	x
41-20	90201-08612	WASHER (8.5-30-1.6)	2	2	x	x			x	x						x	x	x
41-21	256-83336-01	CORD	2	2	x	x			x	x						x	x	x
41-22	92901-08100	WASHER, spring	2	2	x	x			x	x						x	x	x
41-23	95301-08600	NUT, hexagon	2	2	x	x			x	x						x	x	x



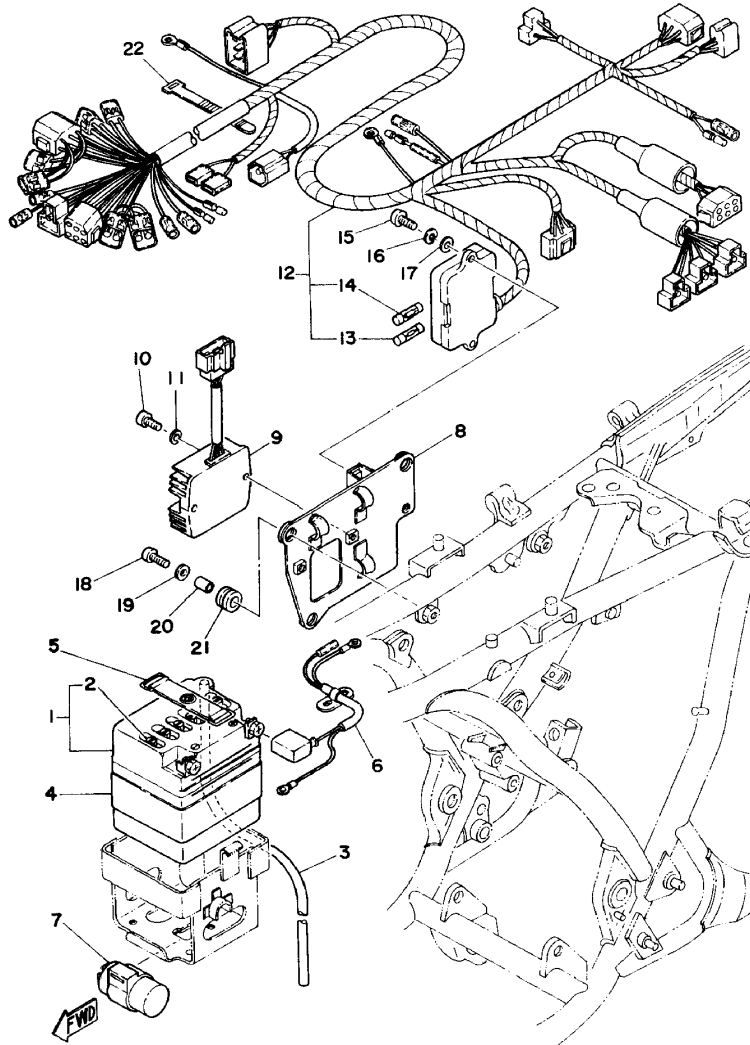
Fig. 42 ELECTRICAL (1)



Ref. No.	Parts No.	Description	Q'ty 250	Q'ty 400	Applicable Machine No.	Remarks
42-1	118-82110-71	BATTERY ASS'A	U.R.	U.R.		
	118-82110-80	BATTERY ASS'Y	1	1		
42-2	104-82111-20	. CAP, battery	6	6		
42-3	90445-08047	HOSE (168-82112-00 5-580)	1	1		
42-4	235-82124-00	BAND, battery	1	1		
42-5	122-82131-00	BAND, battery	1	1		
42-6	1A0-82117-00	Wire, lead	1	1		
42-7	1A0-83350-70	FLASHER RELAY ASS'Y	1	1		
	1E7-83350-40	FLASHER RELAY ASS'Y	1	1		for W.Germany
42-8	2R8-21543-00	PLATE 1	1	1		
42-9	2J2-81960-A0	RECTIFIER REGULATOR ASS'Y	1	1		
42-10	92501-060150	SCREW, panhead	2	2		
42-11	92901-06100	WASHER, spring	2	2		
42-12	2R8-82590-80	WIRE HARNESS ASS'Y	1	1		
42-13	1A0-82151-00	. FUSE (10A)	3	3		
42-14	1A0-82161-00	. FUSE (20A)	2	2		
42-15	98501-05016	SCREW, panhead	2	2		
42-16	92901-05100	WASHER, spring	2	2		
42-17	92901-05600	WASHER, plate	2	2		
42-18	92501-06015	SCREW, panhead	3	3		
42-19	90201-06052	WASHER, plate (136-22316-00)	2	2		
42-20	90387-07389	COLLAR (256-21544-00)	3	3		
42-21	90480-13018	GROMMET	3	3		
42-22	803-82591-00	BAND	1	1		



Fig. 43 ELECTRICAL (2)



Ref. No.	Parts No.	Description	Q'ty 250	Q'ty 400	France	Holland	Switzerland	Belgium	Sweden	Finland	Denmark	Norway	Austria	England	Italy	Remarks
43-1	2R8-82310-50	IGNITION COIL ASS'Y	1	1	x	x	x	x	x	x	x	x	x	x	x	
42-2	808-82370-10	PLUG CAP ASS'Y	2	2	x	x	x	x	x	x	x	x	x	x	x	
43-3	92501-06025	SCREW, panhead	2	2	x	x	x	x	x	x	x	x	x	x	x	
43-4	92901-06100	WASHER, spring	2	2	x	x	x	x	x	x	x	x	x	x	x	
43-5	2R8-82508-40	MAIN SWITCH ASS'Y	1	1	x	x		x	x	x	x		x	x	x	
	2R8-82508-45	MAIN SWITCH ASS'Y	1	1			x									
43-6	526-82579-00	. CAP, key	1	1			x									
43-7	98501-05018	SCREW, panhead	2	2	x	x	x	x	x	x	x	x	x	x	x	
43-8	92901-05100	WASHER, spring	2	2	x	x	x	x	x	x	x	x	x	x	x	
43-9	533-82517-00	WASHER, special	2	2	x	x	x	x	x	x	x	x	x	x	x	
43-10	2R8-82530-00	STOP SWITCH ASS'Y	1	1	x	x	x	x	x	x	x	x	x	x	x	
43-11	1A0-83395-02	FLASHER CANCELLING UNIT	1	1	x	x		x	x				x	x	x	
	1E7-83395-02	FLASHER CANCELLING UNIT	1	1			x					x				
43-12	1A0-83371-21	HORN	1	1	x		x	x	x	x	x			x	x	
	1A2-83371-51	HORN	1	1		x								x		
43-13	97321-06016	BOLT, hexagon	2	2	x	x	x	x	x	x	x	x	x	x	x	
43-14	92901-06100	WASHER, spring	2	2	x	x	x	x	x	x	x	x	x	x	x	
43-15	2R8-85540-50	C.D.I. UNIT ASS'Y	1	1	x	x	x	x	x	x	x	x	x	x	x	
43-16	92501-06020	SCREW, panhead	2	2	x	x	x	x	x	x	x	x	x	x	x	
43-17	92901-06100	WASHER, spring	2	2	x	x	x	x	x	x	x	x	x	x	x	
43-18	92901-06200	WASHER, plain	1	1	x	x	x	x	x	x	x	x	x	x	x	
43-19	90462-06028	CLAMP	1	1	x	x	x	x	x	x	x	x	x	x	x	



# REPAIR KIT





Fig. 44 REPAIR KIT (I)

Ref.No.	Parts No.	Description	Q'ty 250	Q'ty 400	Applicable Machine No.	Remarks
44-1	2R8-11630-00	PISTON ASS'Y (STD)	2s			
	2R8-11630-10	PISTON ASS'Y (1st O.S.)	2s			
	2R8-11630-20	PISTON ASS'Y (2nd O.S.)	2s			
	2R8-11630-30	PISTON ASS'Y (3rd O.S.)	2s			
	2R8-11630-40	PISTON ASS'Y (4th O.S.)	2s			
	2R9-11630-00	PISTON ASS'Y (STD)		2s		
	2R9-11630-10	PISTON ASS'Y (1st O.S.)		2s		
	2R9-11630-20	PISTON ASS'Y (2nd O.S.)		2s		
	2R9-11630-30	PISTON ASS'Y (3rd O.S.)		2s		
	2R9-11630-40	PISTON ASS'Y (4th O.S.)		2s		
44-2	93450-17025	. CIRCLIP (137-11634-00)	4	4		Ref.No. 4-25
44-3	280-11633-00	. PIN, piston	2			Ref.No. 4-26
	278-11633-00	. PIN, piston		2		Ref.No. 4-26
44-4	1A0-11631-00-96	. PISTON (STD)	UR.			Ref.No. 4-14
	1A0-11631-00-98	. PISTON (STD)	2			
	1A0-11635-00	. PISTON (1st O.S.)	2			
	1A0-11636-00	. PISTON (2nd O.S.)	2			
	1A0-11637-00	. PISTON (3rd O.S.)	2			
	1A0-11638-00	. PISTON (4th O.S.)	2			
	1A1-11631-00-96	. PISTON (STD)		UR.		
	1A1-11631-00-98	. PISTON (STD)		2		
	1A1-11635-00	. PISTON (1st O.S.)		2		
	1A1-11636-00	. PISTON (2nd O.S.)		2		
	1A1-11637-00	. PISTON (3rd O.S.)		2		
1A1-11638-00	. PISTON (4th O.S.)		2			

Ref.No.	Parts No.	Description	Q'ty 250	Q'ty 400	Applicable Machine No.	Remarks
44-5	2R8-11610-00	. PISTON RING SET (STD)	2s			Ref.No. 4-28
	2R8-11610-10	. PISTON RING SET (1st O.S.)	2s			
	2R8-11610-20	. PISTON RING SET (2nd O.S.)	2s			
	2R8-11610-30	. PISTON RING SET (3rd O.S.)	2s			
	2R8-11610-40	. PISTON RING SET (4th O.S.)	2s			
	1A1-11610-00	. PISTON RING SET (STD)		2s		
	1A1-11610-10	. PISTON RING SET (1st O.S.)		2s		
	1A1-11610-20	. PISTON RING SET (2nd O.S.)		2s		
	1A1-11610-30	. PISTON RING SET (3rd O.S.)		2s		
	1A1-11610-40	. PISTON RING SET (4th O.S.)		2s		
44-6	2R8-11650-00	CONNECTING ROD ASS'Y	2s			
	2R9-11650-00	CONNECTING ROD ASS'Y		2s		
44-7	90209-22071	. WASHER (164-11685-00)	4	4		Ref.No. 4-4
44-8	93310-42231	. BEARING, con-rod big end	2	2		Ref.No. 4-5
44-9	2R8-11651-00	. ROD, connecting	2			Ref.No. 4-6
	2R9-11651-00	. ROD, connecting		2		Ref.No. 4-6
44-10	2R8-11681-00	. PIN, crank	2			Ref.No. 4-7
	2R9-11681-00	. PIN, crank		2		Ref.No. 4-7
44-11	93310-216A3	. BEARING, con-rod small end	2			Ref.No. 4-24
	93310-216E1	. BEARING, con-rod small end		2		Ref.No. 4-24
44-12	2R8-W0001-00	GASKET KIT	1s			
	2R9-W0001-00	GASKET KIT		1s		
44-13	1A0-11181-01	. GASKET, cylinder head	2			Ref.No. 1-2
	1A2-11181-00	. GASKET, cylinder head		2		Ref.No. 1-2
44-14	278-11351-01	. GASKET, cylinder	2	2		Ref.No. 1-5
44-15	137-15353-00	. GASKET, drain plug	1	1		Ref.No. 2-16
44-16	93210-11073	. O-RING		4		Ref.No. 2-25
44-17	1A0-15461-00	. GASKET, crankcase cover right	1	1		Ref.No. 3-14
44-18	93210-27194	. O-RING (2.5-27)	1	1		Ref.No. 3-20



--	--	--	--	--	--	--	--	--	--

--	--	--	--	--	--	--	--	--	--



Fig. 44 REPAIR KIT (2)

Ref.No.	Parts No.	Description	Q'ty 250	Q'ty 400	Applicable Machine No.	Remarks
44-19	137-15353-00	. GASKET, drain plug	1	1		Ref.No. 7-31
44-20	93210-29147	. O-RING (2.4-29.4)	1	1		Ref.No. 7-33
44-21	93210-13016	. O-RING (1.8-13)	1	1		Ref.No. 10-11
44-22	353-17816-00	. SEAL, housing	1	1		Ref.No. 10-13
44-23	1A14-13621-01	. PACKING, valve seat	2	2		Ref.No. 11-39
44-24	360-14184-01	. GASKET, float chamber	2	2		Ref.No. 12-10
44-25	2R8-14714-00	. GASKET, muffler joint	2			Ref.No. 13-6
	2R9-14714-01	. GASKET, muffler joint		2		Ref.No. 13-6
44-26	1A0-14613-00	. GASKET, exhaust pipe	2	2		Ref.No. 13-11
44-27	126-13116-00	. GASKET, pump case	1	1		Ref.No. 14-1
44-28	90430-04004	. GASKET (137-13187-00)	1	1		Ref.No. 14-15
44-29	2R8-W0003-00	OIL SEAT KIT	1s	1s		
44-30	93103-25108	. OIL SEAL	1	1		Ref.No. 4-16
44-31	93103-40077	. OIL SEAL (SW-40-62-10)	1	1		Ref.No. 4-20
44-32	237-15389-00	. SEAL, push rod	1	1		Ref.No. 5-18
44-33	214-16347-01	. SEAL, dust	1	1		Ref.No. 5-20
44-34	93102-35054	. OIL SEAL (SD-35-62-6)	1	1		Ref.No. 6-34
44-35	93101-12004	. OIL SEAL (S-12-22-5)	1	1		Ref.No. 8-19
44-36	93104-11056	. OIL SEAL (S-12-17-2.5)	1	1		Ref.No. 8-21
44-37	93104-20007	. OIL SEAL (SO-20-30-4.5)	1	1		Ref.No. 9-9
44-38	93101-10002	. OIL SEAL (S-10-22-7)	1	1		Ref.No. 14-5

Ref.No.	Parts No.	Description	Q'ty 250	Q'ty 400	Applicable Machine No.	Remarks



--	--	--	--	--	--	--	--	--	--

--	--	--	--	--	--	--	--	--	--





# NUMERICAL INDEX





## NUMERICAL INDEX (I)

Ref.No.	Parts No.	Ref.No.	Parts No.	Ref.No.	Parts No.
1-1	2R8-11111-00	9-2	156-15618-01	11-34	1A0-13613-00
29-17	102-18416-00	23-2	156-23411-00	11-36	1A0-13624-00
30-21	102-18416-00	23-4	156-23412-00	12-26	1A0-14112-20
42-2	104-82111-20	33-3	156-25398-00	12-27	1A0-14112-20
17-13	116-82131-00	30-3	156-25398-00	12-26	1A0-14112-25
42-1	118-82110-71	12-29	164-14137-00	12-27	1A0-14112-25
42-1	118-82110-80	6-41	164-17417-00-10	12-27	1A0-14113-25
19-30	120-27431-00	23-1	164-23462-00	12-51	1A0-14169-00
19-31	120-27433-00	12-6	168-14190-25	12-39	1A0-14171-00
22-33	122-23119-01	6-31	168-17428-01-03	12-42	1A0-14175-00
22-34	122-23129-00	6-13	168-17428-01-03	12-44	1A0-14179-00
42-5	122-82131-00	6-31	168-17428-01-05	12-11	1A0-14181-14
38-14	123-83516-21	6-13	168-17428-01-05	12-12	1A0-14183-00
38-28	123-83516-21	21-13	168-21639-00	12-8	1A0-14185-00
37-10	123-83516-21	33-14	168-25389-10	12-49	1A0-14193-00
38-10	123-83516-21	32-10	168-25389-10	12-48	1A0-14196-00
44-27	126-13116-00	24-20	168-83936-01	12-47	1A0-14197-00
14-1	126-13116-00	12-43	170-14178-00	12-30	1A0-14243-00
12-22	127-14134-00	21-29	170-21746-00	12-31	1A0-14253-00
12-9	127-14186-00	21-29	170-21746-00	11-1	1A0-14411-00
5-29	132-16346-00	5-11	174-16356-00	11-3	1A0-14412-00
8-13	132-18113-01	23-6	183-23411-00	11-7	1A0-14419-01
16-22	134-23484-10	23-5	183-23412-00	11-8	1A0-14431-00
9-17	136-17417-00-10	12-3	193.14142-25	11-20	1A0-14435-01
23-7	136-23415-00	12-3	193-14142-22	11-19	1A0-14437-00
14-11	137-13137-00-03	36-11	195-84324-00	11-9	1A0-14441-00
14-11	137-13137-00-05	36-16	198-84334-60	11-2	1A0-14451-01
14-12	137-13138-01	1-10	1A0-11162-02	11-26	1A0-14453-01
14-4	137-13176-00	1-2	1A0-11181-00	11-4	1A0-14457-01
12-4	137-14143-23	44-13	1A0-11181-01	11-10	1A0-14467-01
12-4	137-14143-24	44-4	1A0-11631-00-96	13-10	1A0-14612-01
12-4	137-14143-29	44-4	1A0-11631-00-98	44-26	1A0-14613-00
12-5	137-14153-00	44-4	1A0-11635-00	13-11	1A0-14613-00
44-15	137-15353-00	44-4	1A0-11636-00	12-23	1A0-14991-00
44-19	137-15353-00	44-4	1A0-11637-00	2-1	1A0-15100-02
2-16	137-15353-00	44-4	1A0-11638-00	3-1	1A0-15411-01
7-31	137-15353-00	14-10	1A0-13101-01	3-6	1A0-15415-00
17-11	141-21717-00	14-8	1A0-13178-00	3-17	1A0-15416-00
30-9	146-25115-00	11-32	1A0-13610-00	3-9	1A0-15417-00
33-9	152-25115-00	11-33	1A0-13613-00	3-11	1A0-15421-00

Ref.No.	Parts No.	Ref.No.	Parts No.	Ref.No.	Parts No.
3-7	1A0-15435-00	26-20	1A0-24512-00	37-1	1A0-84330-60-33
3-12	1A0-15435-00	26-18	1A0-24521-00	36-15	1A0-84332-60
44-17	1A0-15461-00	26-21	1A0-24524-01	36-7	1A0-84395-60
3-14	1A0-15461-00	26-19	1A0-24529-01	39-8	1A0-84712-60
3-21	1A0-15491-00	26-4	1A0-24602-00	39-3	1A0-84723-60
3-22	1A0-15497-00	28-22	1A0-24705-00	39-6	1A0-84724-60
4-21	1A0-16111-00	28-17	1A0-24726-00	39-9	1A0-84726-60
5-8	1A0-16351-00	25-6	1A0-25824-01	27-16	1A0-85720-03
5-4	1A0-16371-00	25-1	1A0-25850-02	1-2	1A1-11181-00
6-1	1A0-17411-00	25-3	1A0-25854-01	44-5	1A1-11610-00
6-18	1A0-17420-00	25-4	1A0-25855-01	4-28	1A1-11610-00
6-36	1A0-17461-70	25-5	1A0-25893-01	44-5	1A1-11610-10
25-2	1A0-20000-10	24-13	1A0-26242-01	4-28	1A1-11610-10
17-12	1A0-21107-00	24-15	1A0-26243-01	44-5	1A1-11610-20
17-5	1A0-21170-01-33	24-16	1A0-26260-00	4-28	1A1-11610-20
16-8	1A0-21315-00	24-17	1A0-26335-00	44-5	1A1-11610-30
16-9	1A0-21316-00	13-21	1A0-27114-00	4-28	1A1-11610-30
16-2	1A0-21317-00-33	19-6	1A0-27311-00-33	44-5	1A1-11610-40
21-1	1A0-21510-02-93	19-20	1A0-27413-00	4-28	1A1-11610-40
21-4	1A0-21518-00	42-6	1A0-82117-00	44-4	1A1-11631-00-96
21-5	1A0-21610-11-93	42-13	1A0-82151-00	44-4	1A1-11631-00-98
21-6	1A0-21629-01	42-14	1A0-82161-00	44-4	1A1-11635-00
16-18	1A0-21645-10	42-7	1A0-83350-70	44-4	1A1-11636-00
27-20	1A0-21745-01	43-12	1A0-83371-21	44-4	1A1-11637-00
17-10	1A0-21746-01	43-11	1A0-83395-02	44-4	1A1-11638-00
27-1	1A0-21751-00-20	38-17	1A0-83507-00	14-8	1A1-13178-00
27-1	1A0-21751-00-36	38-18	1A0-83508-00	11-39	1A1-13621-01
27-1	1A0-21751-00-75	38-16	1A0-83513-00	2-21	1A1-15316-00
27-1	1A0-21751-00-H6	38-1	1A0-83519-01	2-23	1A1-15317-00
27-4	1A0-21771-00	38-15	1A0-83520-01	2-22	1A1-15326-00
27-3	1A0-21792-00	38-19	1A0-83522-00	2-24	1A1-15336-00
18-6	1A0-22128-00	38-2	1A0-83523-00	3-1	1A1-15411-01
18-8	1A0-22149-00	38-11	1A0-83536-01	9-5	1A1-15621-00
18-15	1A0-22311-00-33	38-13	1A0-83540-02	4-21	1A1-16111-00
22-35	1A0-23121-01-33	38-12	1A0-83556-01	6-8	1A1-17121-00
22-37	1A0-23164-00	38-8	1A0-83570-41	6-5	1A1-17131-00
16-21	1A0-23408-00	25-29	1A0-83980-30	6-36	1A1-17461-70
26-14	1A0-24181-00	36-6	1A0-84315-60	16-8	1A1-21315-00
26-13	1A0-24186-00	35-1	1A0-84330-60-33	16-9	1A1-21315-00
26-15	1A0-24500-02	36-1	1A0-84330-60-33	17-1	1A1-21721-00-20



## NUMERICAL INDEX (2)

Ref.No.	Parts No.	Ref.No.	Parts No.	Ref.No.	Parts No.
17-1	1A1-21721-00-36	28-31	1A2-24785-10-36	33-8	1J1-25317-00
17-1	1A1-21721-00-75	28-31	1A2-24785-10-75	32-8	1J3-25118-00
17-1	1A1-21721-00-H6	28-31	1A2-24785-10-H6	33-12	1J3-25118-00
20-24	1A1-21798-00	28-30	1A2-24785-20-20	33-2	1J3-25304-01
32-5	1A1-25115-00	28-30	1A2-24785-20-36	32-4	1J3-25317-00
32-16	1A1-25377-00	28-30	1A2-24785-20-75	32-13	1J3-25381-00
33-20	1A1-25377-00	28-30	1A2-24785-20-H6	33-17	1J3-25381-00
29-27	1A1-25398-01	24-16	1A2-26260-20	32-25	1J3-25412-00
29-26	1A1-25398-01	24-17	1A2-26335-21	33-29	1J3-25412-00
32-29	1A1-25398-01	19-1	1A2-27111-00	34-1	1J3-25831-50
29-27	1A1-25399-00	19-6	1A2-27311-00-33	31-1	1J3-25831-50
29-26	1A1-25399-00	19-11	1A2-27315-00	31-2	1J3-25834-01
32-29	1A1-25399-00	19-12	1A2-27315-10	34-2	1J3-25834-01
20-23	1A1-25852-00	19-7	1A2-27317-00	25-7	1J3-25867-00
20-20	1A1-25894-01	43-12	1A2-83371-51	38-27	1J3-83509-70
20-30	1A1-25895-00	38-8	1A2-83570-21	38-5	1J3-83568-71
20-17	1A1-25898-50	35-5	1A2-84310-21	38-6	1J3-83569-71
20-16	1A1-25899-50	37-5	1A2-84310-30	34-7	1J3-W0048-00
20-5	1A1-27222-01	35-5	1A2-84310-41	31-7	1J3-W0048-00
20-7	1A1-27231-01	36-5	1A2-84310-46	28-34	1J7-24722-00
44-23	1A14-13621-01	35-7	1A2-84315-45	28-33	1J7-24735-00
44-13	1A2-11181-00	37-6	1A2-84315-45	28-35	1J7-24777-00
11-7	1A2-14419-00	35-6	1A2-84320-21	28-32	1J7-24789-00
11-2	1A2-14451-00	37-7	1A2-84320-30	24-24	1J7-26290-02
21-5	1A2-21610-11-93	35-6	1A2-84320-46	24-23	1J7-26290-12
21-19	1A2-21638-00	36-8	1A2-84320-46	30-1	1L9-25111-00
26-1	1A2-24110-00-W3	39-5	1A2-84718-40	29-19	1L9-25181-00
26-1	1A2-24110-00-W4	39-4	1A2-84721-40	30-23	1L9-25181-00
26-1	1A2-24110-00-W5	39-4	1A2-84721-70	32-18	1L9-25367-00
26-1	1A2-24110-00-W6	39-12	1A2-84753-00	33-22	1L9-25367-00
28-1	1A2-24730-W1	39-13	1A2-84753-10	30-30	1L9-25847-00
28-1	1A2-24730-Y1	1-12	1A3-11161-10	35-9	1R6-84146-30
28-2	1A2-24731-10	20-15	1A3-20000-50	36-10	1R6-84146-30
28-2	1A2-24731-20	18-11	1A3-22210-20	22-15	1T3-23144-50
28-3	1A2-24756-00-20	23-18	1E6-23441-10-98	22-4	1T3-23145-00
28-3	1A2-24756-00-36	23-19	1E6-23442-00	22-8	1T3-23145-00
28-3	1A2-24756-00-75	24-2	1E6-26241-00	19-18	1T3-27451-00
28-3	1A2-24756-00-H6	42-7	1E7-83350-40	19-19	1T3-27461-00
28-11	1A2-24773-00	43-11	1E7-83395-02	25-10	1T3-83922-00
28-31	1A2-24785-10-20	21-21	1H2-21621-00	28-24	1T4-24741-00

Ref.No.	Parts No.	Ref.No.	Parts No.	Ref.No.	Parts No.
28-12	1T4-24742-00	41-2	256-83311-70	35-10	290-84124-21
28-13	1T4-24796-00	40-18	256-83336-01	37-12	290-84124-21
29-28	1U4-25847-00	41-21	256-83336-01	22-28	291-23167-61
39-1	1U4-84710-40	12-14	266-14126-00	29-1	2A2-25168-20
39-1	1U4-84710-70	12-13	266-14191-00	32-1	2A2-W2533-20
39-2	1U4-84711-40	44-14	278-11351-01	28-6	2F3-24786-10
39-11	1U4-84751-20-33	1-5	278-11351-01	31-14	2G2-25821-00
39-11	1U4-84751-40-33	4-10	278-11515-00	34-14	2G2-25821-00
33-1	1U5-W2531-00	44-3	278-11633-00	34-12	2G2-25838-00
22-23	1U6-23111-M1	4-26	278-11633-00	31-12	2G2-25838-00
22-21	1U6-23118-M0	14-18	278-13169-00	31-9	2G2-25849-01
22-25	1U6-23168-M0	14-24	278-13174-00	34-9	2G2-25849-01
22-11	1W1-23173-L0	2-19	278-15492-01	31-15	2G2-25916-00
14-2	214-13175-02	9-5	278-15621-00	34-15	2G2-25916-00
12-19	214-14147-00	5-15	278-16181-01	34-8	2G2-25919-00
12-7	214-14195-00	5-5	278-16367-00	31-8	2G2-25919-00
5-14	214-16119-00	6-32	278-17424-00	31-11	2G2-W0044-00
44-33	214-16347-01	4-19	278-17424-00	34-11	2G2-W0044-00
5-20	214-16347-01	6-30	278-17425-00	34-5	2G2-W0045-00
5-25	214-16389-00	10-8	278-17812-00	31-5	2G2-W0045-00
10-10	214-17811-02	8-10	278-18127-00	31-6	2G2-W0047-00
10-16	214-17812-00	8-16	278-18131-00	34-6	2G2-W0047-00
10-14	214-17847-00	7-24	278-18531-00	39-10	2H7-84754-00
8-5	214-18178-00	7-25	278-18535-00	42-9	2J2-81960-A0
26-16	214-24512-00	7-13	278-18542-00	38-29	2L0-83550-00
28-25	214-24724-00	7-28	278-18547-02	29-5	2R6-25115-00
24-6	214-83912-00	7-11	278-18566-00	1-3	2R8-11311-00
42-4	235-82124-00	18-16	278-22332-00	1-4	2R8-11321-00
44-32	237-15389-00	22-31	278-23181-50	4-1	2R8-11400-00
5-18	237-15389-00	26-9	278-24181-00	4-3	2R8-11412-00
18-7	240-22127-00	24-1	278-26111-02	4-8	2R8-11422-00
22-22	240-23114-00	24-14	278-26294-00	4-11	2R8-11432-00
12-35	246-14126-00	19-1	278-27111-00	4-12	2R8-11442-00
9-18	248-15654-00	19-2	278-27112-00	44-5	2R8-11610-00
9-11	248-15668-00	28-26	278-27114-00	4-28	2R8-11610-00
28-16	248-24726-00-33	19-6	278-27311-01	44-5	2R8-11610-10
12-40	256-14135-00	19-15	278-27314-00	4-28	2R8-11610-10
12-24	256-14956-01	7-32	278-82540-01	44-5	2R8-11610-20
5-21	256-16396-01	44-3	280-11633-00	4-28	2R8-11610-20
41-13	256-83311-70	4-26	280-11633-00	44-5	2R8-11610-30



## NUMERICAL INDEX (3)

Ref.No.	Parts No.	Ref.No.	Parts No.	Ref.No.	Parts No.
4-28	2R8-11610-30	10-2	2R8-17851-00	33-26	2R8-25438-20-33
44-5	2R8-11610-40	10-1	2R8-17861-00	31-4	2R8-25810-00
4-28	2R8-11610-40	8-20	2R8-18101-00	34-4	2R8-25810-50
44-1	2R8-11630-00	8-12	2R8-18111-00-93	20-14	2R8-25850-50
44-1	2R8-11630-10	8-1	2R8-18128-00	25-22	2R8-25872-20
44-1	2R8-11630-20	16-1	2R8-21110-00-33	25-22	2R8-25872-20
44-1	2R8-11630-30	16-1	2R8-21110-20-33	20-32	2R8-25872-50
44-1	2R8-11630-40	16-1	2R8-21110-30-33	25-26	2R8-25876-00
4-27	2R8-11631-00-96	16-1	2R8-21110-40-33	24-1	2R8-26111-20
4-27	2R8-11631-00-98	16-1	2R8-21110-80-33	20-1	2R8-27211-00-33
4-27	2R8-11635-00	42-8	2R8-21543-00	20-2	2R8-27212-00
4-27	2R8-11636-00	17-2	2R8-21781-00	20-6	2R8-27216-00
4-27	2R8-11637-00	27-2	2R8-21781-00	19-16	2R8-27411-00-33
4-27	2R8-11638-00	18-1	2R8-22110-00-33	19-17	2R8-27421-00-33
44-6	2R8-11650-00	18-2	2R8-22141-00	17-17	2R8-28100-10
44-9	2R8-11651-00	22-1	2R8-23101-00	15-1	2R8-81400-50
4-6	2R8-11651-00	22-1	2R8-23101-30	15-2	2R8-81410-50
44-10	2R8-11681-00	22-13	2R8-23110-00	15-3	2R8-81450-50
4-7	2R8-11681-00	22-19	2R8-23115-00	43-1	2R8-82310-50
12-1	2R8-14101-00	22-18	2R8-23116-00	43-5	2R8-82508-40
12-2	2R8-14102-00	22-16	2R8-23122-00	43-5	2R8-82508-45
13-8	2R8-14611-00	22-2	2R8-23126-00-38	43-10	2R8-82530-00
13-9	2R8-14621-00	22-36	2R8-23131-00-33	42-12	2R8-82590-80
13-1	2R8-14710-00	22-7	2R8-23136-00-38	24-3	2R8-83972-00
13-7	2R8-14713-00	22-14	2R8-23141-00	24-12	2R8-83975-00
44-25	2R8-14714-00	22-17	2R8-23163-00	39-18	2R8-84717-00
13-6	2R8-14714-00	22-12	2R8-23170-00	39-18	2R8-84717-40
13-2	2R8-14720-00	22-24	2R8-23340-00-33	43-15	2R8-85540-50
9-1	2R8-15611-00-93	22-24	2R8-23340-30-33	44-12	2R8-W0001-00
9-15	2R8-15641-00	23-9	2R8-23435-00-98	44-29	2R8-W0003-00
6-40	2R8-15651-00	26-2	2R8-24244-00	1-1	2R9-11111-01
9-16	2R8-15660-00	26-2	2R8-24244-10	1-3	2R9-11311-00
9-12	2R8-15666-00	26-3	2R8-24245-00	1-4	2R9-11321-00
9-13	2R8-15676-00	26-3	2R8-24245-10	4-1	2R9-11400-00
5-2	2R8-16150-00	28-4	2R8-24757-00	4-3	2R9-11412-00
5-1	2R8-16301-00	28-4	2R8-24757-10	4-8	2R9-11422-00
6-10	2R8-17151-00	28-5	2R8-24767-00	4-11	2R9-11432-00
6-7	2R8-17161-00	28-5	2R8-24767-10	4-12	2R9-11442-00
10-6	2R8-17831-00	32-22	2R8-25436-20	44-1	2R9-11630-00
10-12	2R8-17841-00	32-22	2R8-25438-20-33	44-1	2R9-11630-10

Ref.No.	Parts No.	Ref.No.	Parts No.	Ref.No.	Parts No.
44-1	2R9-11630-20	13-8	2T0-14611-00	40-5	341-83367-00
44-1	2R9-11630-30	13-9	2T0-14621-00	41-6	341-83367-00
44-1	2R9-11630-40	22-26	306-23346-60	11-29	345-13565-71
4-27	2R9-11631-00-96	29-18	306-25136-00	11-35	345-13616-70
4-27	2R9-11631-00-98	30-22	306-25136-00	30-2	351-25104-00
4-27	2R9-11635-00	12-28	316-14116-06	30-15	351-25135-00
4-27	2R9-11636-00	5-17	328-16357-00	29-11	351-25135-00
4-27	2R9-11637-00	8-2	328-18151-00	29-16	351-25138-00
4-27	2R9-11638-00	7-17	328-18179-00	30-20	351-25138-00
44-6	2R9-11650-00	7-5	328-18185-00	14-17	353-13552-01
44-9	2R9-11651-00	7-7	328-18352-10	44-22	353-17816-00
4-6	2R9-11651-00	7-20	328-18511-00	10-13	353-17816-00
44-10	2R9-11681-00	7-21	328-18512-00	12-21	354-14147-00
4-7	2R9-11681-00	7-3	328-18561-00	37-11	357-84312-00
14-10	2R9-13101-00	7-15	328-18562-00	37-9	359-84312-00
11-29	2R9-13565-00	22-5	341-23146-50	12-38	360-14124-20
11-32	2R9-13610-00	22-9	341-23146-50	12-34	360-14131-00
11-34	2R9-13613-00	22-6	341-23156-50	12-25	360-14141-38
12-1	2R9-14101-00	22-10	341-23156-50	44-24	360-14184-01
12-1	2R9-14101-10	30-13	341-25137-00	12-10	360-14184-01
12-2	2R9-14102-00	29-9	341-25137-00	3-19	360-15363-01
12-2	2R9-14102-10	29-8	341-25149-00	5-3	360-16154-00
12-25	2R9-14141-38	30-12	341-25149-00	5-16	360-16154-00
11-30	2R9-14465-00	29-7	341-25846-00	5-6	360-16321-00
13-8	2R9-14611-00	30-11	341-25846-00	5-19	360-16340-00
13-7	2R9-14615-00	24-23	341-26290-20	6-27	360-17211-00
13-9	2R9-14621-00	28-27	341-28185-00	6-19	360-17221-00
13-1	2R9-14710-00	28-29	341-28188-00	6-23	360-17231-00
44-25	2R9-14714-01	24-5	341-82911-00	6-16	360-17471-00
13-6	2R9-14714-01	41-15	341-83312-70	7-9	360-18141-01
13-2	2R9-14720-00	40-3	341-83312-70	7-1	360-18541-00
2-1	2R9-15100-01	41-4	341-83312-70	27-6	360-21752-00
5-2	2R9-16150-00	40-13	341-83313-70	27-8	360-21753-00
5-1	2R9-16301-00	41-14	341-83313-70	20-21	360-25854-00
10-2	2R9-17851-00	40-2	341-83313-70	20-22	360-25855-01
8-12	2R9-18111-00-93	41-3	341-83313-70	25-21	360-25862-00
17-2	2R9-21781-00	40-15	341-83333-70	24-4	360-82910-02
27-2	2R9-21781-00	41-16	341-83333-70	41-1	360-83310-50-93
24-1	2R9-26111-20	40-4	341-83333-70	41-1	360-83310-71-93
44-12	2R9-W0001-00	41-5	341-83333-70	40-7	360-83316-00



## NUMERICAL INDEX (4)

Ref.No.	Parts No.	Ref.No.	Parts No.	Ref.No.	Parts No.
41-7	360-83316-00	1-9	521-11161-01	25-11	90109-06465
41-18	360-83326-00	13-3	521-14753-00	20-3	90109-06468
41-12	360-83330-21-93	6-2	521-17141-00	19-7	90109-08034
41-17	360-83367-00	6-24	521-17241-00	19-7	90109-08415
38-30	360-83560-00	6-22	521-17261-00	34-16	90109-084542
24-21	366-82591-00	29-28	521-25188-00	5-23	90113-08021
40-1	366-83310-41-93	29-27	521-25188-00	2-8	90116-08064
40-14	366-83312-40	41-12	521-83330-50-93	1-6	90116-08065
41-15	366-83312-40	14-2	522-13175-01	13-12	90116-08116
28-20	371-24728-00	12-28	522-14116-01	1-6	90116-08232
40-8	371-82519-00	12-20	525-14123-00	2-7	90116-08232
41-8	371-82519-00	43-6	526-82579-00	22-3	90116-08261
35-8	371-84312-60	43-9	533-82517-00	24-18	90123-08046
36-9	371-84312-60	40-12	533-83330-40-93	25-13	90146-06008
29-23	401-25367-00	22-20	583-23142-00	26-23	90149-06011
30-27	401-25367-00	16-22	584-23484-00	8-6	90149-06017
29-14	404-25191-00	38-20	584-83523-00	7-30	90149-14031
30-18	404-25191-00	38-23	584-83546-00	35-13	90152-05005
21-22	413-21622-90	38-9	584-83578-71	36-19	90152-05005
21-20	413-21641-00	26-22	619-24535-00	36-13	90152-05005
27-21	437-21779-00	12-36	802-14158-00	15-4	90153-06007
36-12	438-84392-60	12-37	802-14161-00	36-14	90157-04001
21-30	449-85131-01	12-46	802-14173-00	5-9	90159-06010
12-17	493-14122-00	42-22	803-82591-00	25-14	90170-06010
12-18	493-14133-00	42-2	808-82370-10	34-21	90170-08158
2-17	498-15371-00	37-8	817-84314-09	4-13	90170-120667
5-7	498-16325-00	13-17	823-21481-00	18-9	90170-14174
26-17	498-24522-00	28-21	90101-06304	4-23	90170-16182
35-2	498-84145-60	33-15	90101-08034	5-13	90170-18089
36-2	498-84145-60	32-11	90101-08034	29-25	90171-14020
37-2	498-84145-60	21-2	90101-08253	30-29	90171-14020
35-3	498-84163-60	34-3	90101-08312	32-21	90171-14020
36-3	498-84163-60	31-3	90101-08312	33-25	90171-14020
37-3	498-84163-60	31-16	90101-10308	11-5	90175-06012
35-4	498-84164-60	16-12	90101-10313	18-14	90176-10013
36-4	498-84164-60	16-3	90105-08033	23-11	90176-16016
37-4	498-84164-60	23-16	90106-08032	1-8	90179-08026
12-45	500-14174-00	19-27	90106-08033	24-19	90179-08148
22-32	509-23158-L0	39-14	90109-06022	5-24	90179-08179
1-9	521-11161-01	24-8	90109-06410	21-14	90179-10220

Ref.No.	Parts No.	Ref.No.	Parts No.	Ref.No.	Parts No.
6-38	90179-18020	30-16	90201-25490	10-15	90383-10005
23-8	90179-25033	6-3	90201-25490	27-24	90385-10026
22-29	90185-08054	29-12	90201-25490	23-21	90385-12027
19-24	90201-06042	32-23	90201-66585	25-17	90386-08094
15-5	90201-06045	33-27	90201-66585	18-4	90386-22018
20-25	90201-06050	11-6	90202-05101	18-17	90387-07389
42-19	90201-06052	26-24	90202-06010	42-20	90387-07389
27-11	90201-06055	21-18	90202-15105	27-14	90387-07390
38-3	90201-06063	16-23	90206-04003	17-8	90387-07390
21-17	90201-06073	34-18	90206-12034	11-22	90387-07391
27-13	90201-06380	6-39	90206-15055	19-13	90387-10255
17-7	90201-06380	18-18	90209-06034	16-10	90387-10516
20-29	90201-06600	26-12	90209-06139	29-21	90387-15550
23-13	90201-08083	19-25	90209-08150	30-25	90387-15550
20-10	90201-08083	19-26	90209-12157	18-3	90387-16128
24-10	90201-08083	29-24	90209-14136	18-5	90387-16226
21-3	90201-08097	23-10	90209-17057	33-13	90387-17536
19-14	90201-08569	6-6	90209-21105	32-9	90387-17536
41-20	90201-08612	6-20	90209-21105	32-19	90387-17551
14-7	90201-08624	44-7	90209-22071	33-23	90387-17551
34-10	90201-08689	4-4	90209-22071	32-30	90387-20565
31-13	90201-09690	8-11	90215-08015	33-33	90387-20565
34-13	90201-09690	4-22	90215-18131	25-15	90387-22591
20-34	90201-10118	6-37	90215-21121	6-35	90387-25192
25-20	90201-10118	5-26	90240-06005	20-33	90401-10034
10-4	90201-10135	20-9	90240-08013	25-19	90401-10034
18-13	90201-10140	19-23	90243-08006	14-15	90430-04004
23-22	90201-10146	26-7	90249-03123	44-28	90430-04004
4-14	90201-12100	7-22	90250-08017	27-5	90430-27124
23-20	90201-12195	16-24	90269-04003	14-21	90445-05301
1-7	90201-12362	4-17	90280-05013	14-20	90445-05302
8-18	90201-12575	4-18	90282-07006	42-3	90445-08047
4-15	90201-12593	16-26	90338-04010	12-50	90445-09056
18-12	90201-14218	21-26	90338-07043	11-24	90445-09078
9-7	90201-15340	24-22	90338-09012	26-26	90445-09082
6-9	90201-20266	25-18	90338-09012	26-25	90445-09094
6-25	90201-20276	7-27	90338-22009	27-17	90445-09122
19-33	90201-20279	2-15	90340-14034	26-28	90445-10308
30-14	90201-25286	2-5	90380-14040	19-29	90445-19307
29-10	90201-25286	2-4	90381-08002	2-18	90446-07008



## NUMERICAL INDEX (5)

Ref.No.	Parts No.	Ref.No.	Parts No.	Ref.No.	Parts No.
20-31	90460-16068	7-29	90501-10062	20-27	92501-06015
27-9	90460-26007	25-16	90501-10312	42-18	92501-06015
27-7	90460-30009	20-35	90501-10406	42-10	92501-060150
11-28	90460-43053	9-3	90501-12081	18-20	92501-06018
11-27	90460-49058	5-10	90501-23138	20-26	92501-06018
25-23	90461-10034	16-25	90502-09024	18-19	92501-06020
2-26	90462-05004	5-28	90506-10069	43-16	92501-06020
2-27	90462-06025	19-4	90506-35058	11-16	92501-06020
43-19	90462-06028	19-10	90507-25023	43-3	92501-06025
21-27	90464-08020	19-10	90507-25023	25-24	92506-06012
21-28	90464-16025	19-4	90507-32027	3-5	92506-06020
2-28	90465-06093	19-5	90507-32028	3-10	92506-06020
2-29	90465-06094	8-3	90508-08007	3-16	92506-06030
2-30	90465-08125	19-22	90508-20023	3-4	92506-06035
26-27	90467-08003	9-10	90508-30051	3-15	92506-06040
27-19	90467-08003	8-9	90508-32055	3-18	92506-06045
11-25	90467-08003	19-10	90508-32177	3-8	92506-06070
26-29	90467-09006	29-4	90560-15161	6-17	92701-06015
11-31	90467-15012	30-8	90560-15161	7-16	92701-06015
14-22	90468-02033	5-27	91401-10010	28-23	92706-06012
14-23	90468-02033	19-34	91401-16012	12-33	92901-03100
17-16	90468-10050	20-11	91401-16012	11-38	92901-03100
28-19	90468-10050	34-17	91401-20015	12-16	92901-04100
23-25	90468-12006	19-9	91401-20020	14-13	92901-05100
9-14	90468-26091	7-23	91401-25020	21-31	92901-05100
17-4	90480-01141	19-3	91401-30025	36-13	92901-05100
2-6	90480-01148	29-20	91401-30030	42-16	92901-05100
28-28	90480-06007	30-24	91401-30030	43-8	92901-05100
17-3	90480-12053	32-14	91401-30030	26-6	92901-05100
39-20	90480-12067	33-18	91401-30030	28-8	92901-05100
42-21	90480-13018	29-15	91609-20014	11-12	92901-05100
27-15	90480-14102	30-19	91609-20014	38-21	92901-05200
17-9	90480-14102	1-13	91609-30010	28-9	92901-05200
11-23	90480-14102	28-18	91701-05055	11-13	92901-05200
13-22	90480-14153	17-14	91701-05120	17-15	92901-05600
39-19	90480-16112	19-32	91701-06035	42-17	92901-05600
41-19	90480-18128	2-2	91830-22016	18-21	92901-06100
19-21	90480-20195	3-3	91830-22016	20-28	92901-06100
7-12	90501-06022	3-13	91830-22016	21-16	92901-06100
27-18	90501-08410	13-4	92501-06010	21-25	92901-06100

Ref.No.	Parts No.	Ref.No.	Parts No.	Ref.No.	Parts No.
22-39	92901-06100	41-9	92901-08200	9-9	93104-20007
25-28	92901-06100	16-7	92901-08200	32-17	93104-27026
38-25	92901-06100	2-10	92901-08200	33-21	93104-28026
39-16	92901-06100	22-30	92901-08600	29-13	93105-45017
43-14	92901-06100	23-17	92901-08600	30-17	93105-45017
43-17	92901-06100	34-19	92901-08600	44-16	93210-11073
42-11	92901-06100	31-10	92901-08689	2-25	93210-11073
43-4	92901-06100	13-18	92901-10100	44-21	93210-13016
20-4	92901-06100	16-14	92901-10100	10-11	93210-13016
13-5	92901-06100	23-23	92901-10100	44-18	93210-27194
8-8	92901-06100	31-17	92901-10100	3-20	93210-27194
8-15	92901-06100	21-11	92901-10100	44-20	93210-29147
21-8	92901-06100	13-19	92901-10200	7-33	93210-29147
25-9	92901-06100	31-18	92901-10200	12-41	93220-09001
11-17	92901-06100	21-12	92901-10600	6-14	93305-20502
24-11	92901-06100	22-27	92901-12100	4-9	93306-20604
26-11	92901-06100	29-24	92901-14200	30-10	93306-30203
38-24	92901-06200	30-28	92901-14200	29-6	93306-30206
43-18	92901-06200	32-20	92901-14200	33-10	93306-30306
2-14	92901-06200	33-24	92901-14200	32-6	93306-30309
18-22	92901-06600	38-32	92906-04100	33-19	93306-30416
27-23	92901-06600	38-33	92906-04600	32-15	93306-30417
11-41	92901-06600	25-25	92906-06100	6-33	93306-30504
21-9	92901-06600	44-38	93101-10002	4-2	93306-30508
11-18	92901-06600	14-5	93101-10002	44-11	93310-216A3
13-14	92901-08100	44-35	93101-12004	4-24	93310-216A3
13-16	92901-08100	8-19	93101-12004	44-11	93310-216E1
16-17	92901-08100	29-22	93102-22014	4-24	93310-216E1
16-20	92901-08100	30-26	93102-22014	6-26	93310-22057
19-28	92901-08100	32-7	93102-28022	44-8	93310-42231
20-19	92901-08100	33-11	93102-28022	4-5	93310-42231
23-14	92901-08100	44-34	93102-35054	6-12	93311-22005
28-15	92901-08100	6-34	93102-35054	6-29	93311-42032
34-20	92901-08100	44-30	93103-25108	7-8	93315-23612
41-22	92901-08100	4-16	93103-25108	6-42	93410-15005
40-10	92901-08100	44-31	93103-40077	6-28	93410-20009
41-10	92901-08100	4-20	93103-40077	6-11	93410-20009
16-6	92901-08100	44-36	93104-11056	9-19	93410-30012
39-15	92901-08200	8-21	93104-11056	7-10	93410-30012
40-9	92901-08200	44-37	93104-20007	32-24	93410-65040



NUMERICAL INDEX (6)

Ref.No.	Parts No.	Ref.No.	Parts No.	Ref.No.	Parts No.
33-28	93410-65040	33-5	94235-18022	23-15	95303-08800
26-8	93430-02001	32-3	94235-18085	24-9	95601-06100
8-4	93430-07012	33-6	94325-18043	25-12	95601-06100
10-5	93430-08006	30-6	94325-18043	16-16	95701-08100
14-6	93430-08006	30-7	94418-18084	16-5	95701-08100
10-7	93430-10016	33-7	94418-18181	16-13	95701-10100
7-26	93430-10016	32-27	94580-10096	40-17	95701-10100
9-8	93430-10016	33-31	94580-10096	16-4	95821-08055
8-17	93430-10016	32-28	94685-30011	16-15	95821-08070
6-4	93440-25019	33-32	94685-30011	16-11	95821-10070
6-21	93440-25019	1-11	94701-00045	16-11	95821-10080
6-15	93440-52009	1-11	94701-00046	28-7	97301-05014
44-2	93450-17025	28-34	95301-04600	10-17	97301-06010
4-25	93450-170250	14-14	95301-05600	22-38	97301-06012
23-3	93501-04011	21-32	95301-05600	26-10	97301-06012
5-12	93505-16006	28-10	95301-05600	21-23	97301-06016
14-19	93505-32002	11-14	95301-05600	21-7	97301-06016
9-4	93507-32009	21-15	95301-06600	27-10	97301-06016
10-3	93603-22028	21-24	95301-06600	11-21	97301-06020
14-3	93603-22028	39-17	95301-06600	24-7	97301-06022
7-19	93604-08071	38-4	95301-06600	25-27	97301-06025
7-6	93604-14012	8-7	95301-06600	11-40	97301-06025
7-2	93604-22050	11-15	95301-06600	17-6	97301-06025
3-2	93700-06004	20-13	95301-06700	27-12	97301-06025
18-10	93700-06004	41-23	95301-08600	27-22	97301-06050
29-2	94130-18225	40-11	95301-08600	13-15	97301-08014
30-4	94130-18225	41-11	95301-08600	28-14	97301-08014
29-2	94130-18243	2-9	95301-08600	20-18	97301-08016
32-2	94132-18223	33-16	95301-08700	16-19	97301-08020
33-4	94132-18223	32-12	95301-08700	20-12	97301-08020
32-2	94135-18224	19-8	95301-08700	21-10	97301-10035
33-4	94135-18224	20-8	95301-08700	8-14	97311-06020
32-2	94135-18280	19-8	95301-08900	43-13	97321-06016
29-3	94227-18095	13-20	95301-10800	25-8	97321-06025
30-5	94227-18095	23-24	95302-10700	2-13	97321-06045
30-5	94230-18012	32-26	95302-12700	2-3	97321-06055
29-3	94230-18084	33-30	95302-12700	2-12	97321-06055
32-3	94232-18020	38-22	95303-05800	2-11	97321-06090
33-5	94232-18020	38-26	95303-06800	9-6	97321-08030
32-3	94232-18096	13-13	95303-08600	23-12	97323-08055

Ref.No.	Parts No.	Ref.No.	Parts No.	Ref.No.	Parts No.
12-15	98501-04016				
26-5	98501-05008				
38-7	98501-05010				
2-20	98501-05010				
7-18	98501-05010				
5-22	98501-05012				
42-15	98501-05016				
14-9	98501-05016				
43-7	98501-05018				
11-11	98501-05025				
12-32	98502-03010				
11-37	98502-03010				
38-31	98506-04020				
3-23	98506-05012				
7-34	98701-05012				
7-14	98701-05012				
10-9	98701-05012				
7-4	98701-05020				
14-16	98901-04008				