



**YAMAHA**

**PARTS LIST**

**MODEL RD250**

**MODEL RD350**

**YAMAHA MOTOR CO., LTD.**

**YAMAHA**

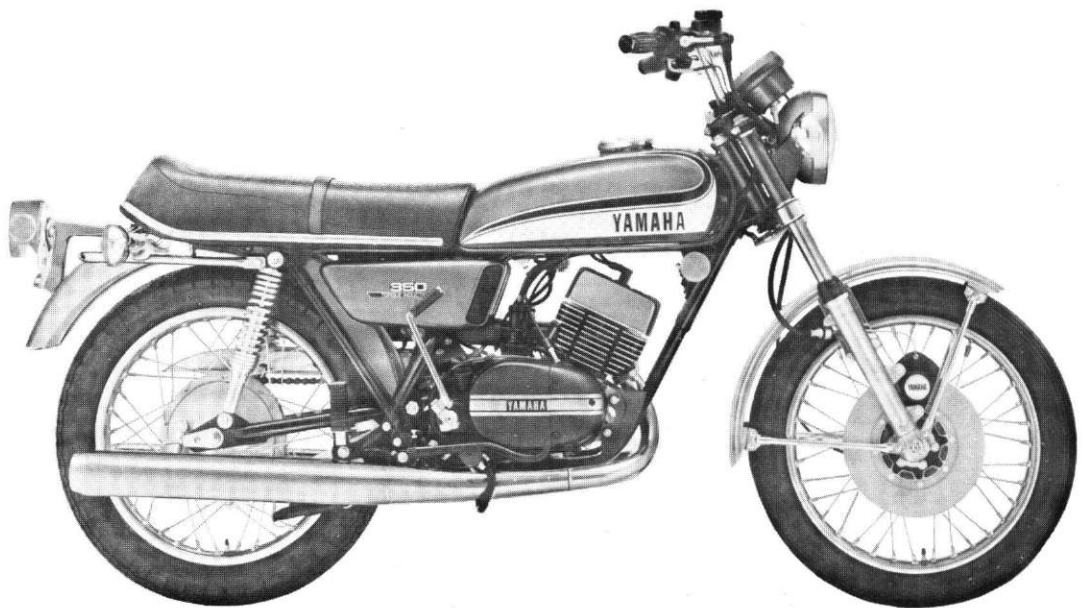
**PARTS LIST**

**MODEL RD250**

**MODEL RD350**



RD250



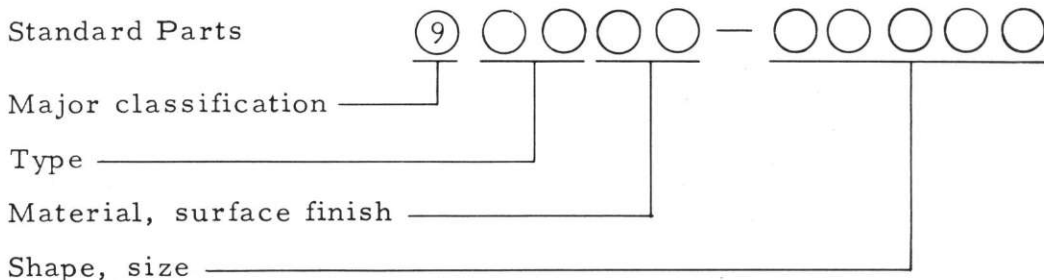
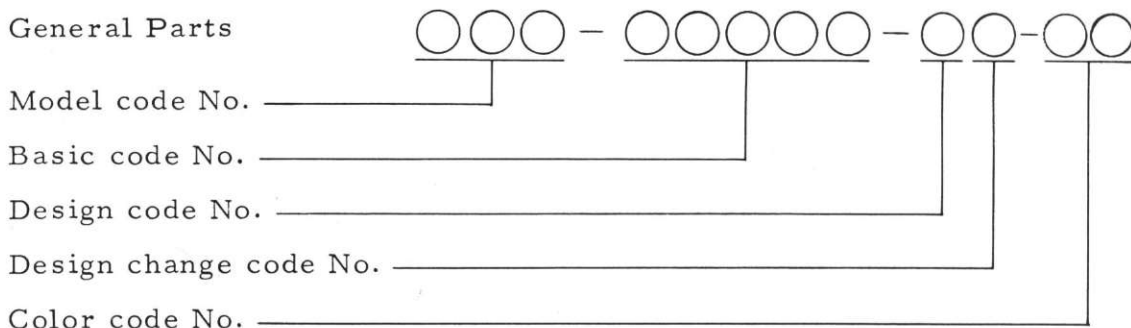
RD350

# FOREWORD

This Parts List relates to the Parts in use for the YAMAHA SPORTS RD250, RD350. When you ordering replacement parts for RD250, RD350, refer to this Parts List and quote both parts numbers and part names correctly.

## 1. Structure of Part No.

Yamaha parts are divided largely into two categories; general parts and standard parts, and each part No. has the following structure:



Note: Every standard No. begins with 9.

## 2. How to Use this Parts List

(1) Except for steel balls (whose size is indicated in inches), the size of all parts is indicated in millimeters in the following manner.

- Pipe (rubber or vinyl) . . . . Inside diameter - length
- O-ring . . . . . Section area - inside diameter
- Washer, shim, collar . . . . Inside diameter - outside diameter - thickness (length)

(2) Parts, which are to be supplied in the form of assemblies, are listed with an indention of one letter's space, and a dot (.) is put

against the name of each part. If any two different assemblies (e.g., right and left side components) consist of almost the same type components, these two assemblies are listed in two lines, and then the names of component parts are listed in the subsequent lines with an indention as mentioned earlier. The quantity of parts is given in the following manner; that is, in the case of parts being the same in type between the right and left, a total quantity of parts is given. On the other hand, if the right and left side parts are different in type, the quantity of part(s) on each side is given.

Example

| Description             | Q'ty |
|-------------------------|------|
| CARBURETOR ASS'Y, left  | 1    |
| CARBURETOR ASS'Y, right | 1    |
| . JET, pilot            | 2    |
| . NOZZLE, main          | 2    |
| :                       |      |
| :                       |      |
| :                       |      |
| . LEVER, starter, left  | 1    |
| . LEVER, starter, right | 1    |

(3) Key to Symbols

|            |  |
|------------|--|
| U.R. ....  | Use size (thickness) and/or number as required |
| T .....    | Number of teeth in a gear                      |
| V .....    | Voltage for light bulbs                        |
| S .....    | "S" type oil seal or "S" type circlip          |
| SD .....   | "SD" type oil seal                             |
| SO .....   | "SO" type oil seal                             |
| SW .....   | "SW" type oil seal                             |
| E .....    | "E" type circlip                               |
| R .....    | "R" type circlip                               |
| F/No. .... | Frame No. (Applicable machine No.)             |

- (4) The right and left in relation to parts are determined on the basis of the rider facing toward the front.
- (5) This Parts List is based on the model in the production line on Dec., 1, 1972. Accordingly, if any modifications which have been made to parts will be announced in the Yamaha Parts News. It is advisable that according to the Yamaha Parts News, You will make necessary corrections to the Parts List on hand to keep it up-to dated.

# CONTENTS

## ENGINE

|         |                                |    |
|---------|--------------------------------|----|
| Fig. 1  | Cylinder Head · Cylinder ..... | 1  |
| Fig. 2  | Crankcase .....                | 3  |
| Fig. 3  | Crankcase Cover .....          | 5  |
| Fig. 4  | Crank · Piston .....           | 7  |
| Fig. 5  | Clutch .....                   | 11 |
| Fig. 6  | Transmission .....             | 15 |
| Fig. 7  | Shifter 1 .....                | 19 |
| Fig. 8  | Shifter 2 .....                | 23 |
| Fig. 9  | Kick Starter .....             | 25 |
| Fig. 10 | Tachometer Gear .....          | 27 |
| Fig. 11 | Intake .....                   | 29 |
| Fig. 12 | Carburetor .....               | 31 |
| Fig. 13 | Exhaust .....                  | 37 |
| Fig. 14 | Oil Pump .....                 | 39 |
| Fig. 15 | A. C. Generator .....          | 43 |

## CHASSIS

|         |   |    |
|---------|---|----|
| Fig. 16 | Frame .....                                 | 49 |
| Fig. 17 | Side Cover · Tool Box · Battery Box .....   | 51 |
| Fig. 18 | Rear Arm · Rear Cushion · Chain Case .....  | 53 |
| Fig. 19 | Stand · Footrest · Brake Pedal .....        | 55 |
| Fig. 20 | Front Fender · Rear Fender .....            | 59 |
| Fig. 21 | Front Fork (RD 250) .....                   | 63 |
| Fig. 22 | Front Fork (RD 350) .....                   | 67 |
| Fig. 23 | Steering .....                              | 71 |
| Fig. 24 | Handle · Wire .....                         | 75 |
| Fig. 25 | Master Cylinder · Brake Hose (RD 350) ..... | 79 |
| Fig. 26 | Fuel Tank .....                             | 83 |

|         |                               |       |     |
|---------|-------------------------------|-------|-----|
| Fig. 27 | Oil Tank                      | ..... | 87  |
| Fig. 28 | Seat                          | ..... | 91  |
| Fig. 29 | Front Wheel (RD 250)          | ..... | 93  |
| Fig. 30 | Front Wheel (RD 350)          | ..... | 97  |
| Fig. 31 | Disk Brake • Caliper (RD 350) | ..... | 101 |
| Fig. 32 | Rear Wheel                    | ..... | 103 |
| Fig. 33 | Head Lamp                     | ..... | 109 |
| Fig. 34 | Speedometer • Tachometer      | ..... | 111 |
| Fig. 35 | Tail Lamp                     | ..... | 113 |
| Fig. 36 | Flasher Lamp                  | ..... | 115 |
| Fig. 37 | Electrical                    | ..... | 117 |

## NUMERICAL INDEX

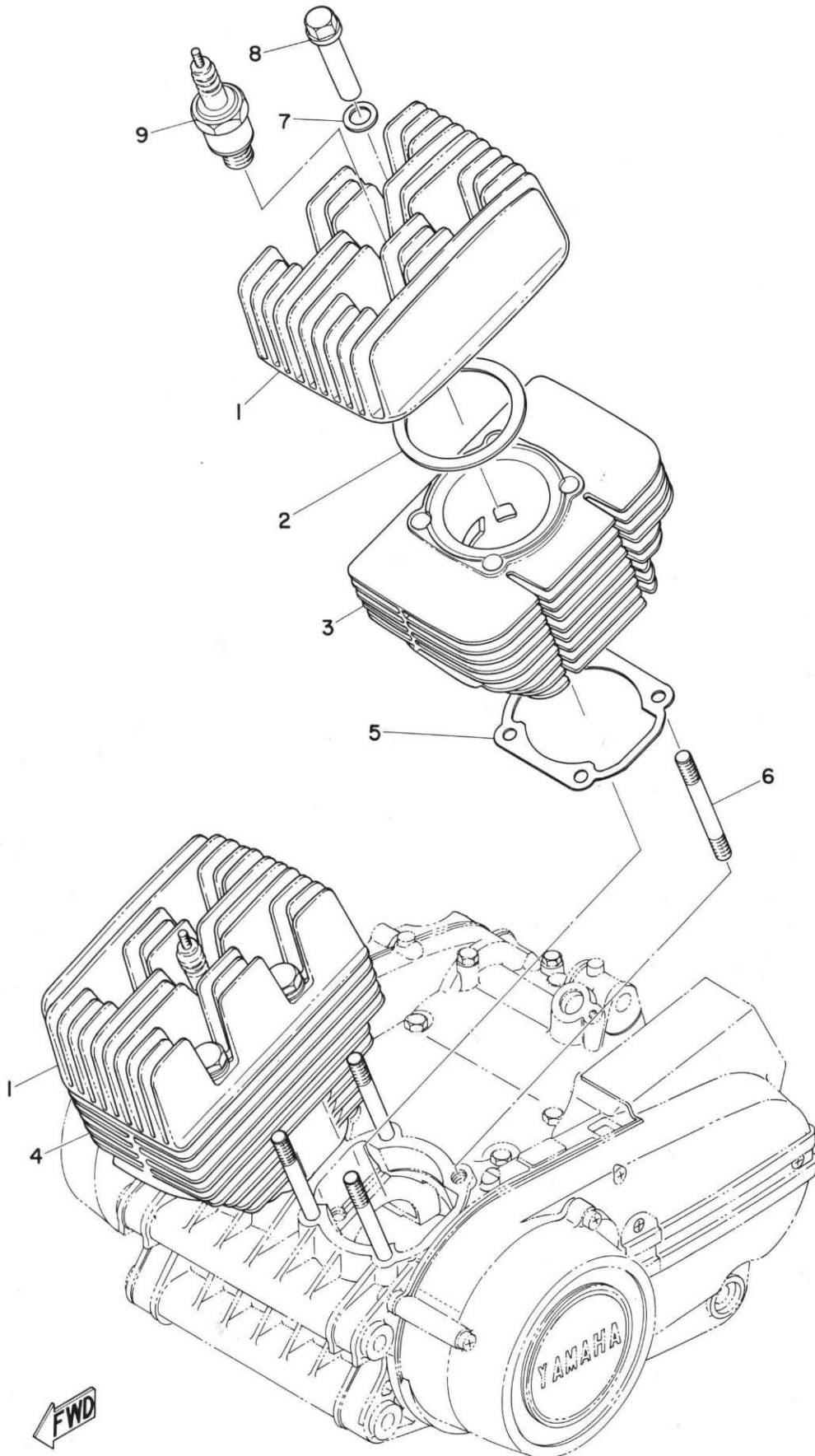




**ENGINE**



Fig. 1 CYLINDER HEAD · CYLINDER

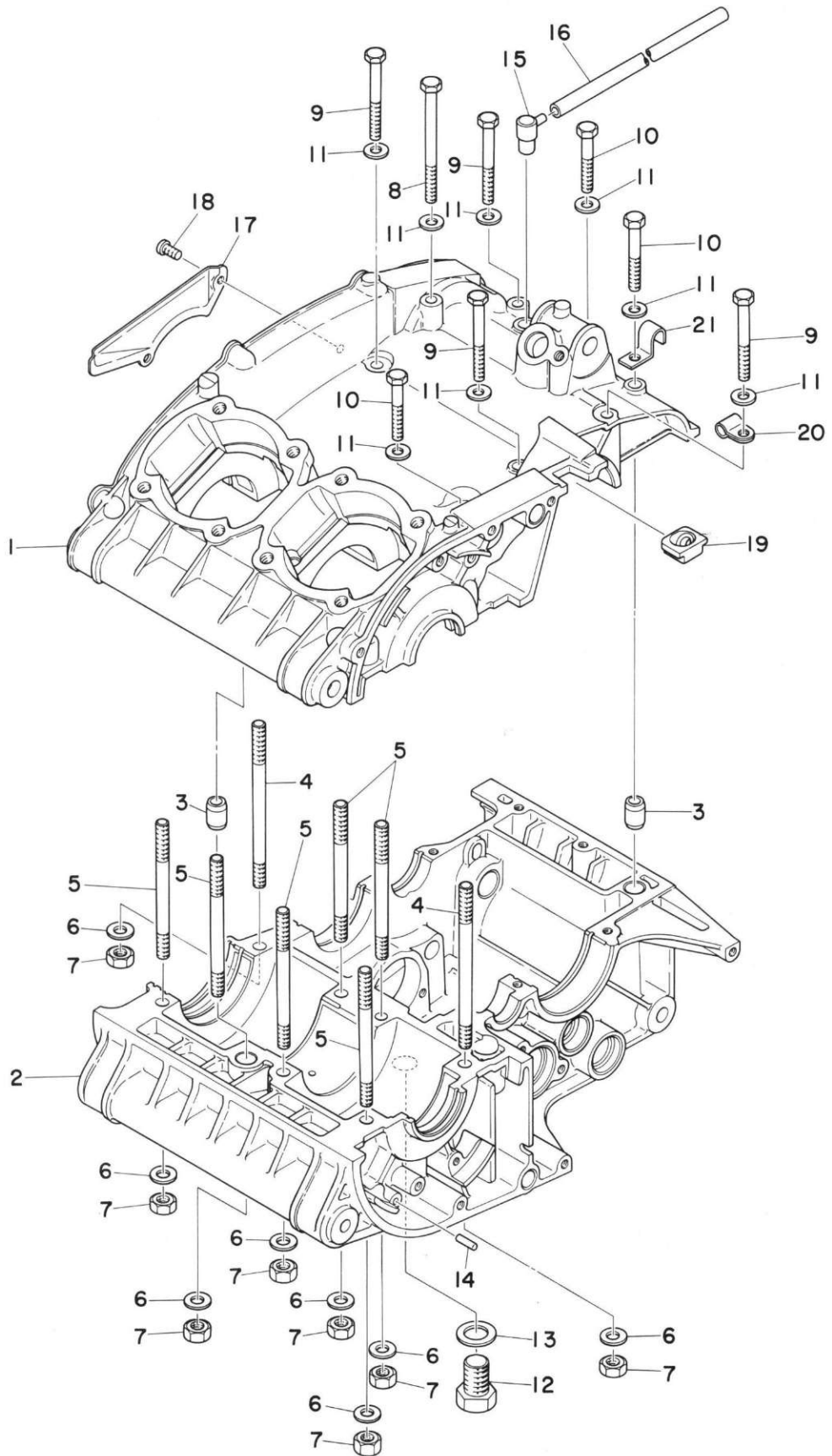


FWD

# CYLINDER HEAD · CYLINDER

| Ref. No. | Part No.     | Description                   | Q'ty  |       | Applicable<br>Machine No. | Remarks |
|----------|--------------|-------------------------------|-------|-------|---------------------------|---------|
|          |              |                               | RD250 | RD350 |                           |         |
| 1- 1     | 361-11111-01 | HEAD, cylinder .....          | 2     |       |                           |         |
|          | 360-11111-01 | HEAD, cylinder .....          |       | 2     |                           |         |
| 1- 2     | 280-11181-01 | GASKET, cylinder head .....   | 2     |       |                           |         |
|          | 278-11181-01 | GASKET, cylinder head .....   |       | 2     |                           |         |
| 1- 3     | 361-11311-00 | CYLINDER, left .....          | 1     |       |                           |         |
|          | 360-11311-00 | CYLINDER, left .....          |       | 1     |                           |         |
| 1- 4     | 361-11321-00 | CYLINDER, right .....         | 1     |       |                           |         |
|          | 360-11321-00 | CYLINDER, right .....         |       | 1     |                           |         |
| 1- 5     | 278-11351-00 | GASKET, cylinder .....        | 2     | 2     |                           |         |
| 1- 6     | 276-11361-00 | BOLT, holding .....           | 8     |       |                           |         |
|          | 248-11361-00 | BOLT, holding .....           |       | 8     |                           |         |
| 1- 7     | 278-11175-00 | WASHER, plain (12.5-24-2) ... | 8     | 8     |                           |         |
| 1- 8     | 278-11171-00 | NUT, holding .....            | 8     | 8     |                           |         |
| 1- 9     | 94701-00041  | PLUG, spark (B-8HS) .....     | 2     | 2     |                           |         |

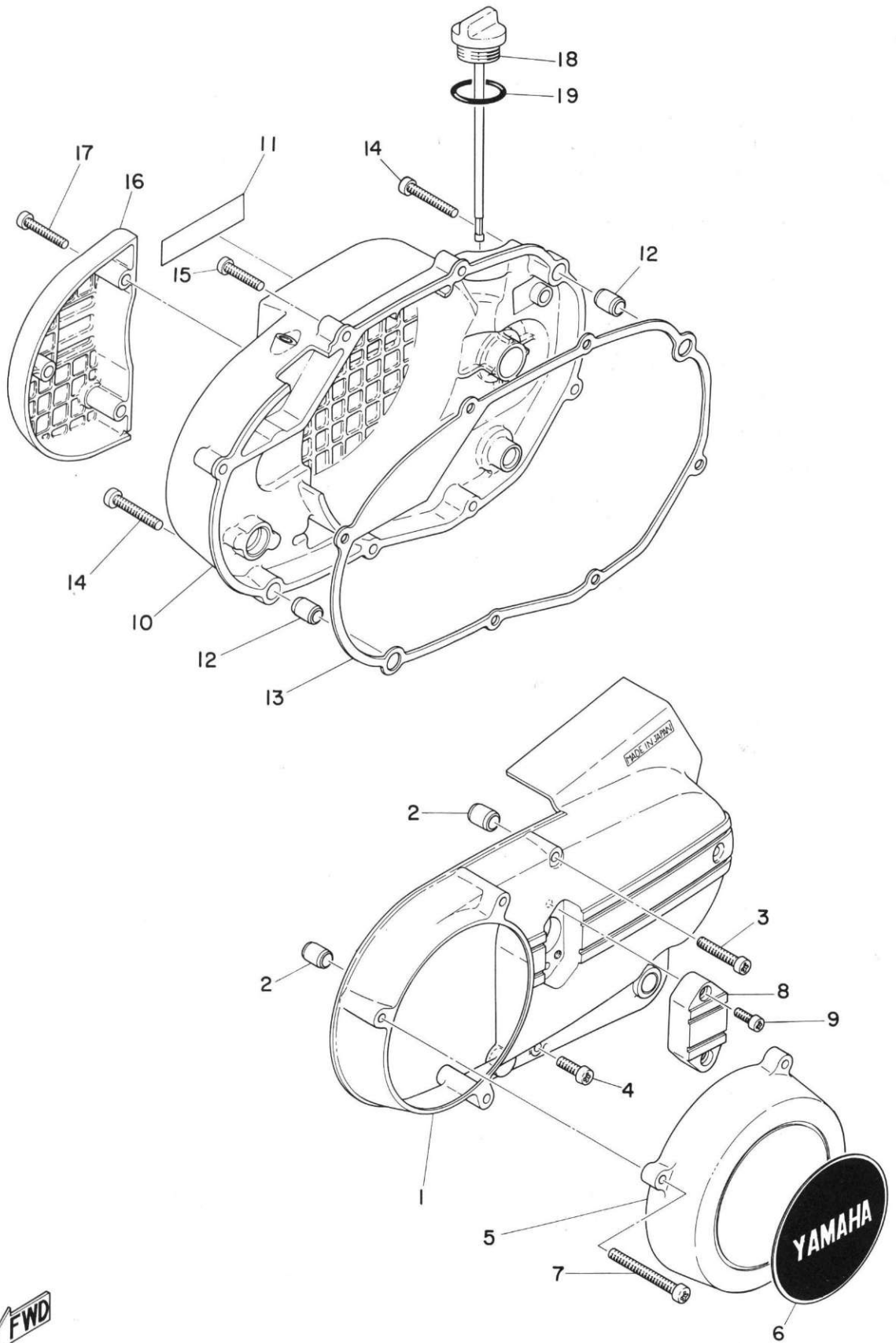
Fig. 2 CRANKCASE



# CRANKCASE

| Ref. No. | Part No.     | Description                   | Q'ty  |       | Applicable<br>Machine No. | Remarks      |
|----------|--------------|-------------------------------|-------|-------|---------------------------|--------------|
|          |              |                               | RD250 | RD350 |                           |              |
| 2- 0-1   | 278-15100-01 | CRANKCASE ASS'Y               | 1     | 1     |                           |              |
| 2- 1     | 278-15111-01 | . CASE, crank upper           | 1     | 1     |                           | Not for sale |
| 2- 2     | 278-15121-01 | . CASE, crank lower           | 1     | 1     |                           | Not for sale |
| 2- 3     | 91810-05016  | PIN, dowel (8.4-12-16)        | 2     | 2     |                           |              |
| 2- 4     | 256-15194-00 | BOLT, crankcase stud 3        | 2     | 2     |                           |              |
| 2- 5     | 256-15193-00 | BOLT, crankcase stud 2        | 6     | 6     |                           |              |
| 2- 6     | 92901-08200  | WASHER, plain                 | 8     | 8     |                           |              |
| 2- 7     | 98803-08200  | NUT                           | 8     | 8     |                           |              |
| 2- 8     | 91101-06090  | BOLT                          | 1     | 1     |                           |              |
| 2- 9     | 91101-06055  | BOLT                          | 4     | 4     |                           |              |
| 2-10     | 91101-06045  | BOLT                          | 3     | 3     |                           |              |
| 2-11     | 92901-06200  | WASHER, plain                 | 8     | 8     |                           |              |
| 2-12     | 214-15351-00 | PLUG, drain                   | 1     | 1     |                           |              |
| 2-13     | 137-15353-00 | GASKET, drain plug (14-21-15) | 1     | 1     |                           |              |
| 2-14     | 93603-14026  | PIN, dowel (3-14)             | 1     | 1     |                           |              |
| 2-15     | 120-15371-00 | BREATHER                      | 1     | 1     |                           |              |
| 2-16     | 248-15373-00 | PIPE, breather (5-150)        | 1     | 1     |                           |              |
| 2-17     | 278-15492-00 | COVER                         | 1     | 1     |                           |              |
| 2-18     | 98501-05010  | SCREW, panhead                | 2     | 2     |                           |              |
| 2-19     | 278-15441-00 | HOLDER, clutch wire           | 1     | 1     |                           |              |
| 2-20     | 164-82594-00 | CLAMP                         | 1     | 1     |                           |              |
| 2-21     | 278-15485-00 | CLAMP                         | 1     | 1     |                           |              |

Fig. 3 CRANKCASE COVER



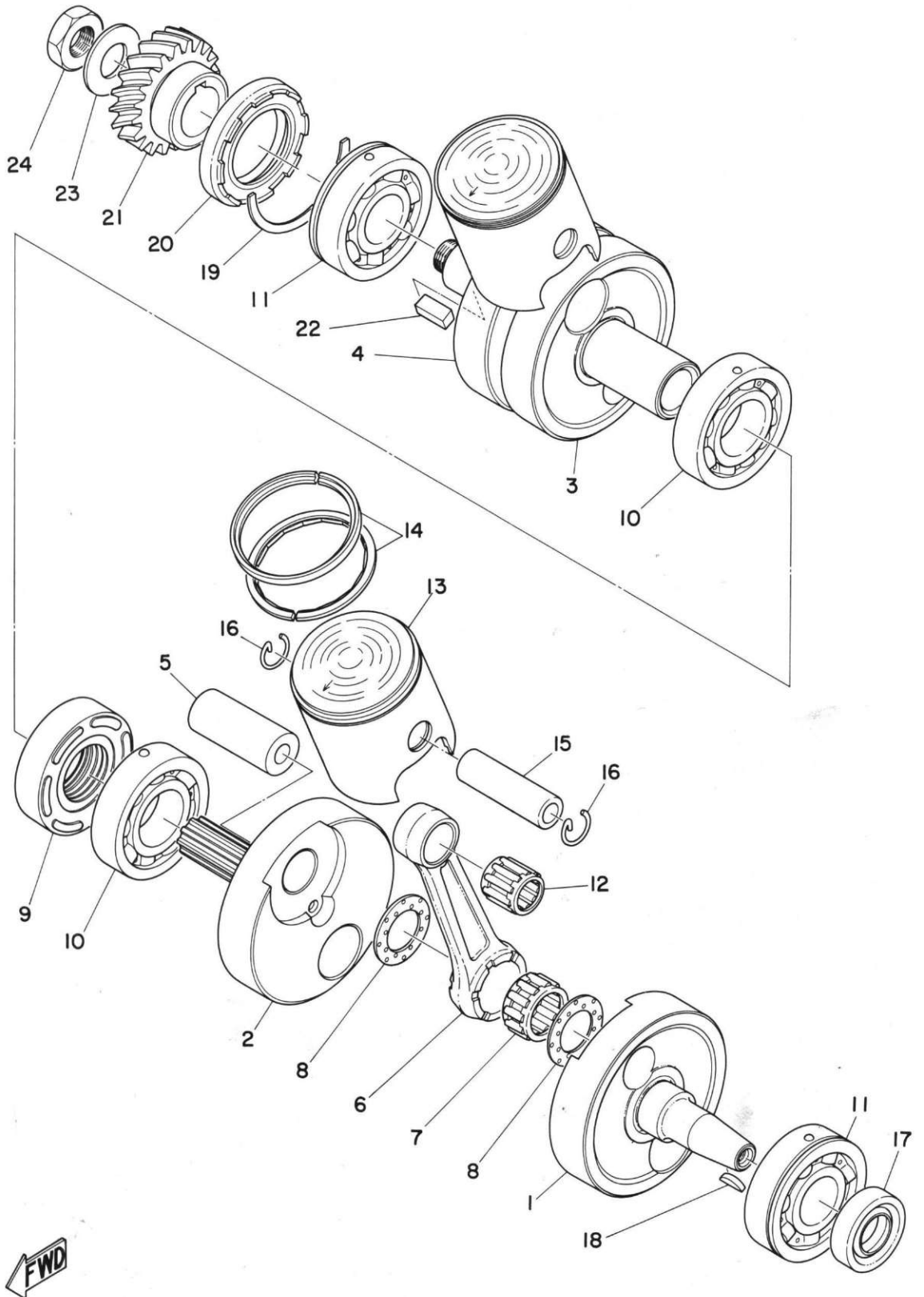
FWD

# CRANKCASE COVER

| Ref. No. | Part No.     | Description                   | Q'ty  |       | Applicable<br>Machine No. | Remarks |
|----------|--------------|-------------------------------|-------|-------|---------------------------|---------|
|          |              |                               | RD250 | RD350 |                           |         |
| 3- 1     | 360-15411-00 | COVER, crankcase left         | ..... | 1 1   |                           |         |
| 3- 2     | 91810-05016  | PIN, dowel (8.4-12-16)        | ..... | 2 2   |                           |         |
| 3- 3     | 92506-06035  | SCREW, panhead                | ..... | 2 2   |                           |         |
| 3- 4     | 92506-06020  | SCREW, panhead                | ..... | 1 1   |                           |         |
| 3- 5     | 360-15415-00 | COVER, generator              | ..... | 1 1   |                           |         |
| 3- 6     | 360-15425-00 | COVER                         | ..... | 1 1   |                           |         |
| 3- 7     | 92506-06060  | SCREW, panhead                | ..... | 3 3   |                           |         |
| 3- 8     | 360-15417-00 | COVER, cap                    | ..... | 1 1   |                           |         |
| 3- 9     | 98506-05020  | SCREW, panhead                | ..... | 2 2   |                           |         |
| 3-10     | 360-15421-00 | COVER, crankcase right        | ...   | 1 1   |                           |         |
| 3-11     | 360-15435-00 | EMBLEM                        | ..... | 1 1   |                           |         |
| 3-12     | 91810-05016  | PIN, dowel (8.4-12-16)        | ..... | 2 2   |                           |         |
| 3-13     | 278-15461-00 | GASKET, crankcase cover right |       | 1 1   |                           |         |
| 3-14     | 92506-06040  | SCREW, panhead                | ..... | 2 2   |                           |         |
| 3-15     | 92506-06030  | SCREW, panhead                | ..... | 6 6   |                           |         |
| 3-16     | 360-15416-00 | COVER, oil pump               | ..... | 1 1   |                           |         |
| 3-17     | 92506-06035  | SCREW, panhead                | ..... | 3 3   |                           |         |
| 3-18     | 360-15363-00 | PLUG, oil                     | ..... | 1 1   |                           |         |
| 3-19     | 93210-27194  | O-RING (2.5-27)               | ..... | 1 1   |                           |         |



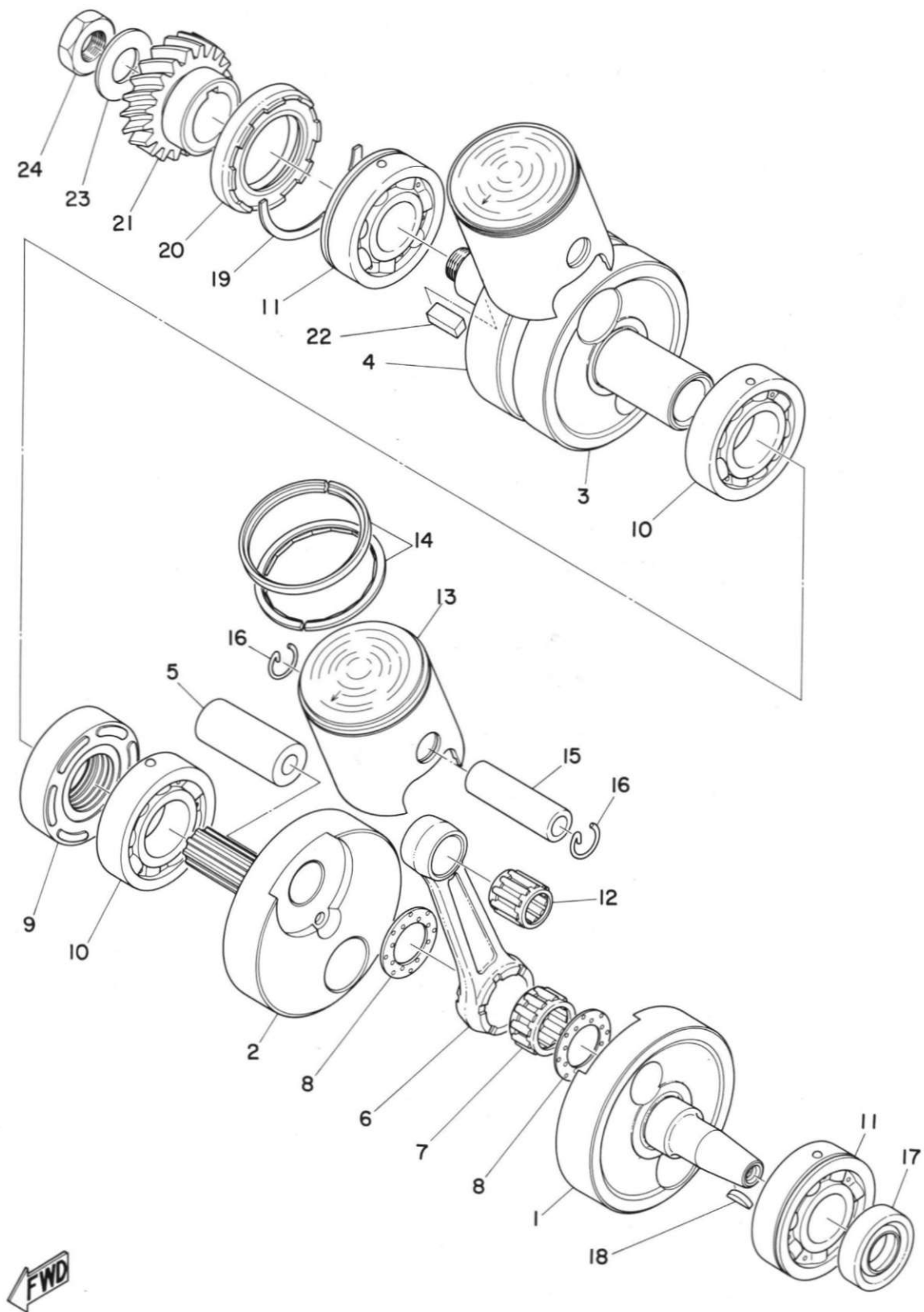
Fig. 4 CRANK · PISTON



# CRANK · PISTON

| Ref. No. | Part No.        | Description                                      | Q'ty       |       | Applicable<br>Machine No. | Remarks         |
|----------|-----------------|--|------------|-------|---------------------------|-----------------|
|          |                 |  | RD250      | RD350 |                           |                 |
| 4- 0-1   | 278-11400-00    | CRANK ASS'Y .....                                | 1          | 1     |                           |                 |
| 4- 1     | 278-11412-00    | . CRANK 1, left .....                            | 1          | 1     |                           |                 |
| 4- 2     | 278-11422-00    | . CRANK 1, right .....                           | 1          | 1     |                           |                 |
| 4- 3     | 278-11432-00    | . CRANK 2, left .....                            | 1          | 1     |                           |                 |
| 4- 4     | 278-11442-00    | . CRANK 2, right .....                           | 1          | 1     |                           |                 |
| 4- 5     | 278-11681-00    | . PIN, crank .....                               | 2          | 2     |                           |                 |
| 4- 6     | 278-11651-00    | . ROD, connecting .....                          | 2          | 2     |                           |                 |
| 4- 7     | 93310-42231     | . BEARING, con-rod big end<br>(22-28-15.8) ..... | 2          | 2     |                           |                 |
| 4- 8     | 164-11685-00    | . WASHER, crank pin .....                        | 4          | 4     |                           |                 |
| 4- 9     | 278-11515-00    | . SEAL, labyrinth .....                          | 1          | 1     |                           |                 |
| 4-10     | 93306-20604     | . BEARING (6206C3 special) ...                   | 2          | 2     |                           |                 |
| 4-11     | 93306-30508     | . BEARING (6305C3 special) ...                   | 2          | 2     |                           |                 |
| 4-12     | 93310-21680     | BEARING, con-rod small end<br>(16-20-19) .....   | 2          |       |                           |                 |
|          | 93310-21679     | BEARING, con-rod small end<br>(16-20-22) .....   |            | 2     |                           |                 |
| 4-13     | 361-11631-00-96 | PISTON (53.96mm STD) ....                        | } U.R<br>2 |       |                           |                 |
|          | 361-11631-00-98 | PISTON (53.98mm STD) ....                        |            |       |                           |                 |
|          | 361-11635-00    | PISTON (54.25mm 1st O.S) ...                     | 2          |       |                           | Alternate Parts |
|          | 361-11636-00    | PISTON (54.50mm 2nd O.S) ...                     | 2          |       |                           | Alternate Parts |
|          | 360-11631-00-96 | PISTON (63.96mm STD) ....                        | } U.R<br>2 |       |                           |                 |
|          | 360-11631-00-98 | PISTON (63.98mm STD) ....                        |            |       |                           |                 |
|          | 360-11635-00    | PISTON (64.25mm 1st O.S) ...                     | 2          |       |                           | Alternate Parts |
|          | 360-11636-00    | PISTON (64.50mm 2nd O.S) ...                     | 2          |       |                           | Alternate Parts |

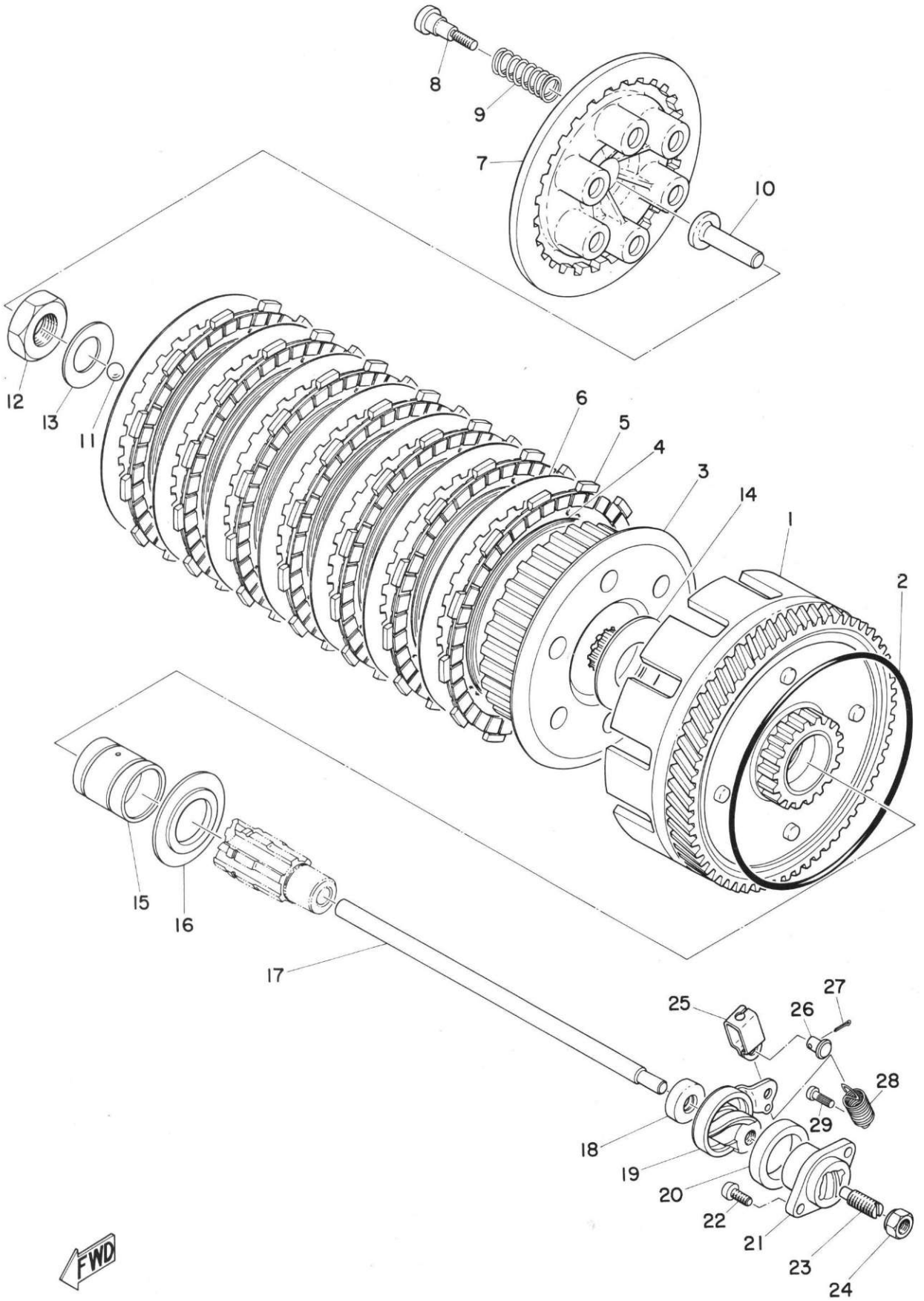
Fig. 4 CRANK · PISTON



# CRANK · PISTON

| Ref. No.               | Part No.     | Description                    | Q'ty<br>RD250 RD350 | Applicable<br>Machine No. | Remarks         |
|------------------------|--------------|--------------------------------|---------------------|---------------------------|-----------------|
| 4-14                   | 361-11610-01 | PISTON RING SET (STD) .....    | 2s                  |                           |                 |
|                        | 361-11610-11 | PISTON RING SET (1st O.S) ...  | 2s                  |                           | Alternate Parts |
|                        | 361-11610-21 | PISTON RING SET (2nd O.S) ...  | 2s                  |                           | Alternate Parts |
|                        | 360-11610-01 | PISTON RING SET (STD) .....    | 2s                  |                           |                 |
|                        | 360-11610-11 | PISTON RING SET (1st O.S) ...  | 2s                  |                           | Alternate Parts |
|                        | 360-11610-21 | PISTON RING SET (2nd O.S) ...  | 2s                  |                           | Alternate Parts |
| 4-15                   | 280-11633-00 | PIN, piston .....              | 2                   |                           |                 |
|                        | 278-11633-00 | PIN, piston .....              | 2                   |                           |                 |
| 4-16                   | 137-11634-00 | CLIP, piston pin .....         | 4                   | 4                         |                 |
| 4-17                   | 93103-20076  | OIL SEAL (SW-20-40-10 special) | 1                   | 1                         |                 |
| 4-18                   | 150-11545-00 | KEY, woodruff .....            | 1                   | 1                         |                 |
| 4-19                   | 278-17424-00 | CIRCLIP .....                  | 1                   | 1                         |                 |
| 4-20                   | 93103-40077  | OIL SEAL (SW-40-62-10 special) | 1                   | 1                         |                 |
| 4-21                   | 280-16111-00 | GEAR, drive (21T) .....        | 1                   |                           |                 |
|                        | 278-16111-00 | GEAR, drive (23T) .....        |                     | 1                         |                 |
| 4-22                   | 278-11546-00 | KEY, woodruff .....            | 1                   | 1                         |                 |
| 4-23                   | 214-16119-00 | SPRING, bellevile .....        | 1                   | 1                         |                 |
| 4-24                   | 168-11555-00 | NUT, crank shaft .....         | 1                   | 1                         |                 |
| <b>ALTERNATE PARTS</b> |              |                                |                     |                           |                 |
| 4- 0-2                 | 361-11630-00 | PISTON ASS'Y (STD) .....       | 2s                  |                           |                 |
|                        | 361-11630-10 | PISTON ASS'Y (1st O.S) .....   | 2s                  |                           |                 |
|                        | 361-11630-20 | PISTON ASS'Y (2nd O.S) .....   | 2s                  |                           |                 |
|                        | 360-11630-00 | PISTON ASS'Y (STD) .....       |                     | 2s                        |                 |
|                        | 360-11630-10 | PISTON ASS'Y (1st O.S) .....   |                     | 2s                        |                 |
|                        | 360-11630-20 | PISTON ASS'Y (2nd O.S) .....   |                     | 2s                        |                 |

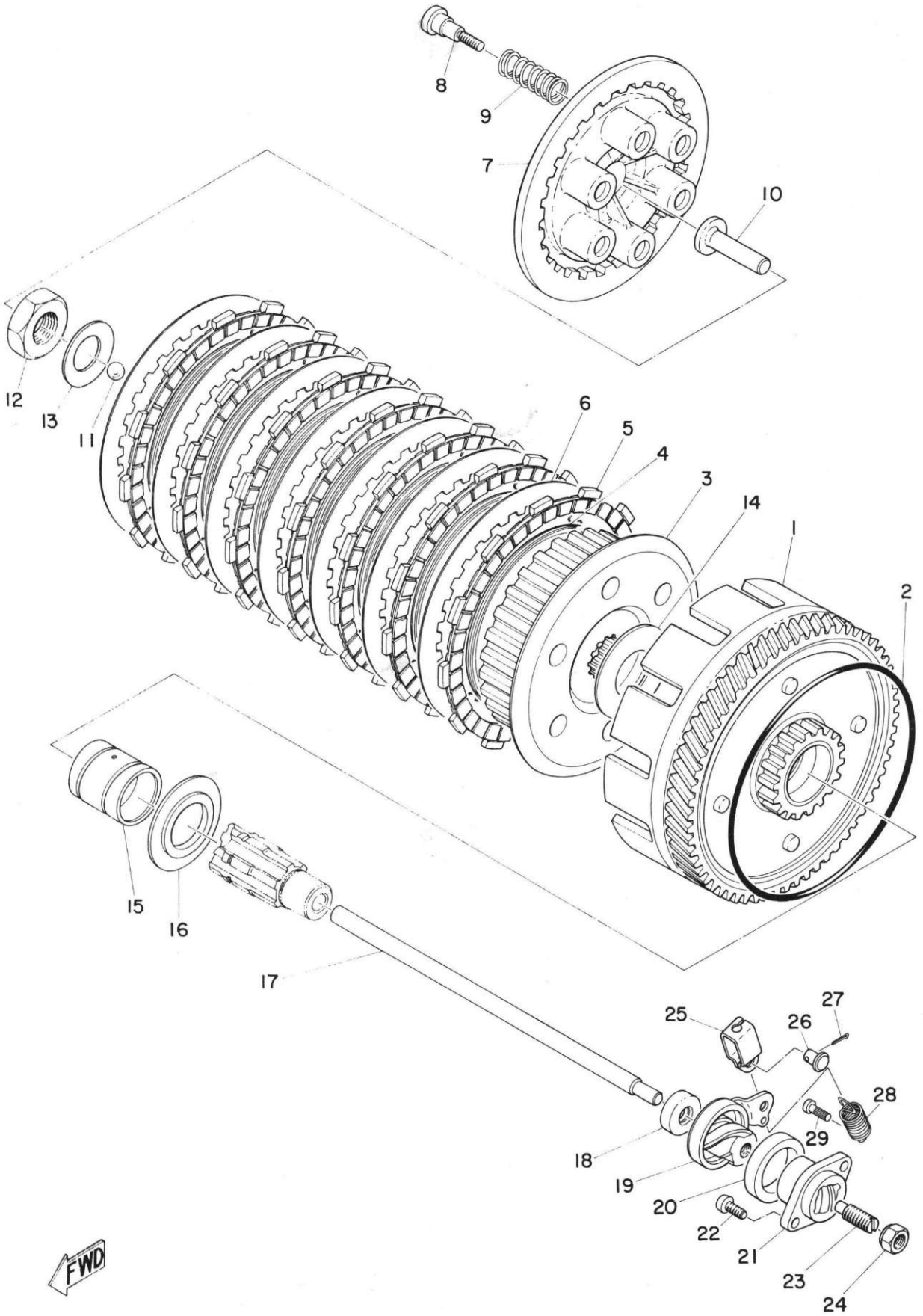
Fig. 5 CLUTCH



# CLUTCH

| Ref. No. | Part No.     | Description                          | Q'ty  |             | Applicable<br>Machine No. | Remarks |
|----------|--------------|--------------------------------------|-------|-------------|---------------------------|---------|
|          |              |                                      |       | RD250 RD350 |                           |         |
| 5- 0-1   | 280-16301-00 | CLUTCH ASS'Y                         | ..... | 1           |                           |         |
|          | 278-16301-00 | CLUTCH ASS'Y                         | ..... | 1           |                           |         |
| 5- 1     | 280-16150-00 | . PRIMARY DRIVEN GEAR<br>COMP. (68T) | ..... | 1           |                           |         |
|          | 278-16150-01 | . PRIMARY DRIVEN GEAR<br>COMP. (66T) | ..... | 1           |                           |         |
| 5- 2     | 93211-15149  | . . O-RING (5.7-114.6)               | ..... | 1           | 1                         |         |
| 5- 3     | 360-16370-00 | . CLUTCH BOSS ASS'Y                  | ..... | 1           | 1                         |         |
| 5- 4     | 278-16367-00 | . RING, cushion                      | ..... | 7           | 7                         |         |
| 5- 5     | 360-16321-00 | . PLATE, friction                    | ..... | 7           | 7                         |         |
| 5- 6     | 360-16325-00 | . PLATE, clutch                      | ..... | 7           | 7                         |         |
| 5- 7     | 360-16351-00 | . PLATE, pressure                    | ..... | 1           | 1                         |         |
| 5- 8     | 137-16337-01 | . SCREW, spring                      | ..... | 6           | 6                         |         |
| 5- 9     | 183-16333-70 | . SPRING, clutch                     | ..... | 6           | 6                         |         |
| 5-10     | 174-16356-00 | ROD, push                            | ..... | 1           | 1                         |         |
| 5-11     | 93505-16006  | BALL (5/6 inch)                      | ..... | 1           | 1                         |         |
| 5-12     | 156-16174-00 | NUT, lock                            | ..... | 1           | 1                         |         |
| 5-13     | 214-16119-00 | SPRING, bellevile                    | ..... | 1           | 1                         |         |
| 5-14     | 170-16164-00 | PLATE, thrust 2 (25-50-2)            | ....  | 1           | 1                         |         |
| 5-15     | 278-16181-01 | SPACER                               | ..... | 1           | 1                         |         |
| 5-16     | 278-16154-00 | PLATE, thrust 1                      | ..... | 1           | 1                         |         |
| 5-17     | 237-16357-01 | ROD, push                            | ..... | 1           | 1                         |         |
| 5-18     | 237-15389-00 | SEAL, push rod                       | ..... | 1           | 1                         |         |
| 5-19     | 360-16340-00 | PUSH LEVER ASS'Y                     | ..... | 1           | 1                         |         |
| 5-20     | 214-16347-01 | SEAL, dust                           | ..... | 1           | 1                         |         |

Fig. 5 CLUTCH

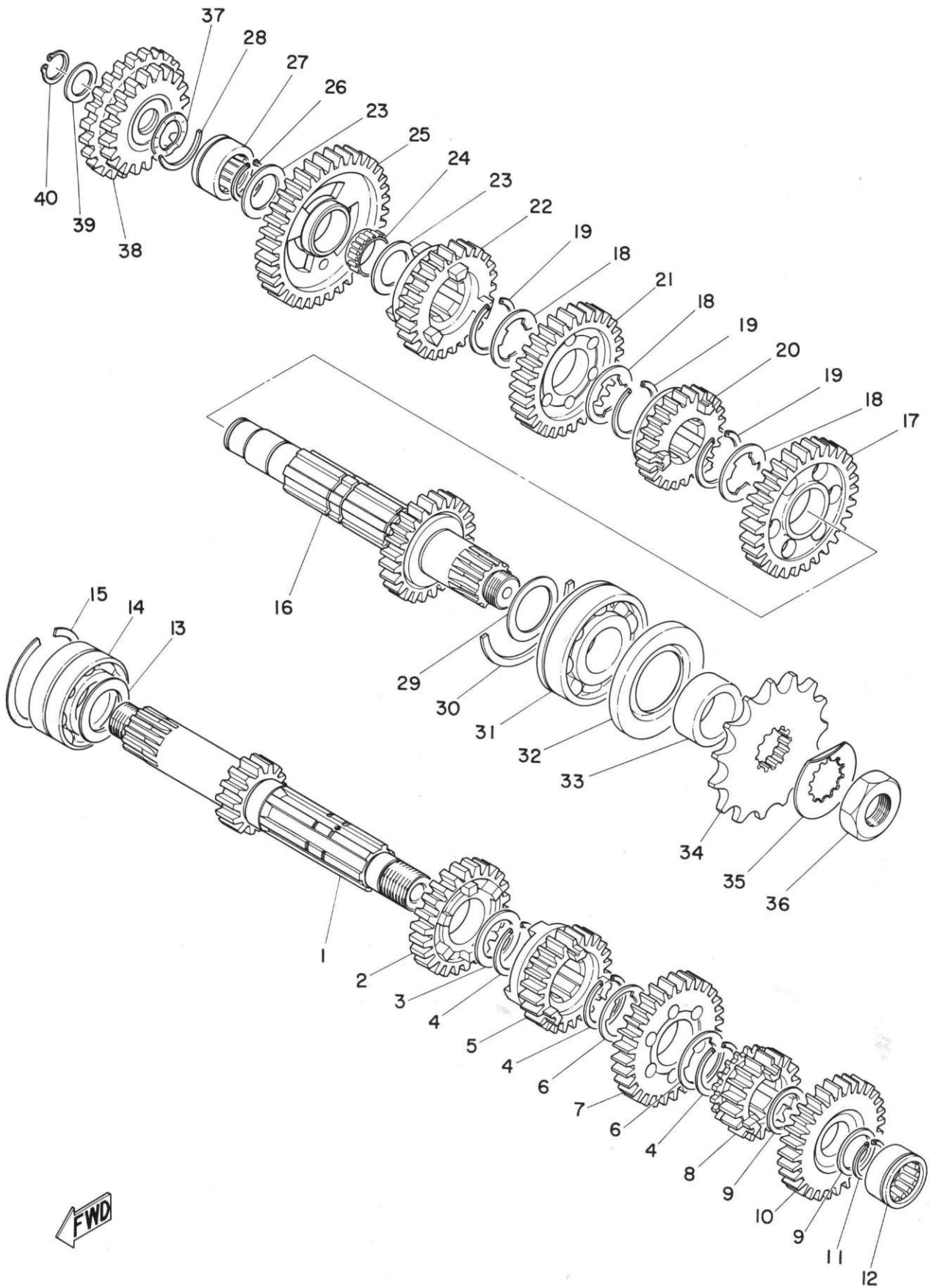


# CLUTCH

| Ref. No. | Part No.     | Description         | Q'ty    |       | Applicable<br>Machine No. | Remarks |
|----------|--------------|---------------------|---------|-------|---------------------------|---------|
|          |              |                     | RD250   | RD350 |                           |         |
| 5-21     | 256-16396-01 | HOUSING, push screw | ..... 1 | 1     |                           |         |
| 5-22     | 98501-05012  | SCREW, panhead      | ..... 2 | 2     |                           |         |
| 5-23     | 256-16343-01 | SCREW, adjusting    | ..... 1 | 1     |                           |         |
| 5-24     | 214-16344-00 | NUT, adjusting      | ..... 1 | 1     |                           |         |
| 5-25     | 214-16389-00 | JOINT               | ..... 1 | 1     |                           |         |
| 5-26     | 214-16379-00 | PIN                 | ..... 1 | 1     |                           |         |
| 5-27     | 91401-10010  | PIN, cotter         | ..... 1 | 1     |                           |         |
| 5-28     | 360-16345-00 | SPRING, return      | ..... 1 | 1     |                           |         |
| 5-29     | 132-16346-00 | HOOK, spring        | ..... 1 | 1     |                           |         |



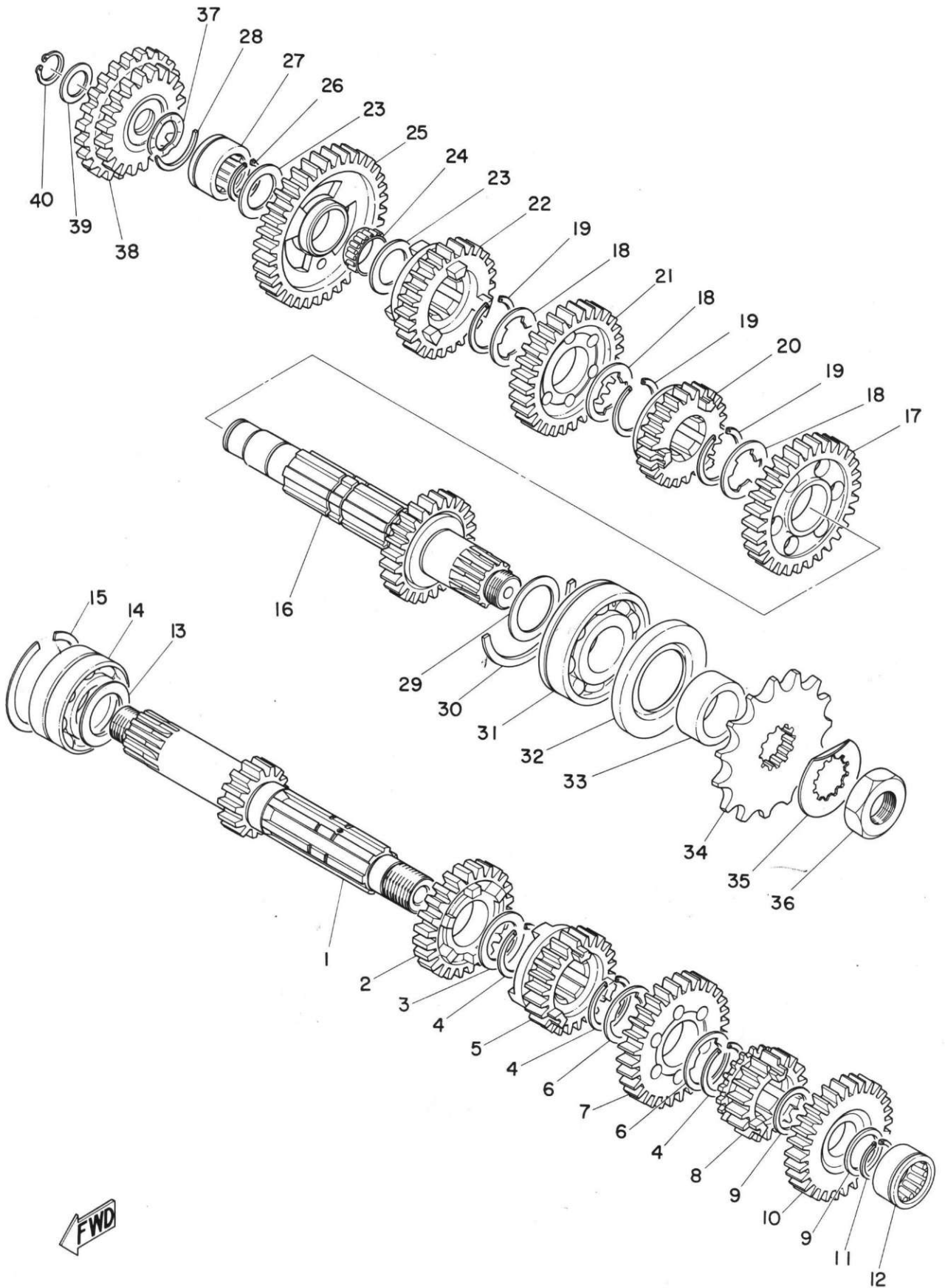
Fig. 6 TRANSMISSION



# TRANSMISSION

| Ref. No. | Part No.        | Description                         | Q'ty  |       | Applicable<br>Machine No. | Remarks |
|----------|-----------------|-------------------------------------|-------|-------|---------------------------|---------|
|          |                 |                                     | RD250 | RD350 |                           |         |
| 6- 1     | 360-17411-00    | AXLE, main (14T) .....              | 1     | 1     |                           |         |
| 6- 2     | 360-17141-00    | GEAR, 4th pinion (25T) .....        | 1     | 1     |                           |         |
| 6- 3     | 152-17226-00    | WASHER, gear hold 2 (25-32-1) ..... | 1     | 1     |                           |         |
| 6- 4     | 93440-25008     | CIRCLIP (25 $\phi$ special) .....   | 3     | 3     |                           |         |
| 6- 5     | 360-17131-00    | GEAR, 3rd pinion (22T) .....        | 1     | 1     |                           |         |
| 6- 6     | 328-17216-00    | WASHER, gear hold 1 .....           | 2     | 2     |                           |         |
| 6- 7     | 360-17161-00    | GEAR, 6th pinion (28T) .....        | 1     | 1     |                           |         |
| 6- 8     | 360-17121-00    | GEAR, 2nd pinion (18T) .....        | 1     | 1     |                           |         |
| 6- 9     | 132-17216-00    | WASHER, gear hold (22-25-1) ...     | 2     | 2     |                           |         |
| 6-10     | 360-17151-00    | GEAR, 5th pinion (27T) .....        | 1     | 1     |                           |         |
| 6-11     | 93410-20009     | CIRCLIP (S-20) .....                | 1     | 1     |                           |         |
| 6-12     | 93311-22005     | BEARING (20-30-15) .....            | 1     | 1     |                           |         |
| 6-13     | 168-17428-01-03 | SHIM, drive axle (25-34-0.3) ..     | }     | }     | U.R                       | U.R     |
|          | 168-17428-01-05 | SHIM, drive axle (25-34-0.5) ..     |       |       |                           |         |
| 6-14     | 93305-20502     | BEARING (25-52-20.6) .....          | 1     | 1     |                           |         |
| 6-15     | 93440-52009     | CIRCLIP .....                       | 1     | 1     |                           |         |
| 6-16     | 360-17420-00    | DRIVE AXLE COMP. (24T) ....         | 1     | 1     |                           |         |
| 6-17     | 360-17221-00    | GEAR, 2nd wheel (32T) .....         | 1     | 1     |                           |         |
| 6-18     | 328-17216-00    | WASHER, gear hold 1 .....           | 3     | 3     |                           |         |
| 6-19     | 93440-25008     | CIRCLIP (25 $\phi$ special) .....   | 3     | 3     |                           |         |
| 6-20     | 360-17261-00    | GEAR, 6th wheel (22T) .....         | 1     | 1     |                           |         |
| 6-21     | 360-17231-00    | GEAR, 3rd wheel (29T) .....         | 1     | 1     |                           |         |
| 6-22     | 360-17241-00    | GEAR, 4th wheel (26T) .....         | 1     | 1     |                           |         |
| 6-23     | 328-17116-00    | WASHER, gear hold (20.2-30-1) ..    | 2     | 2     |                           |         |

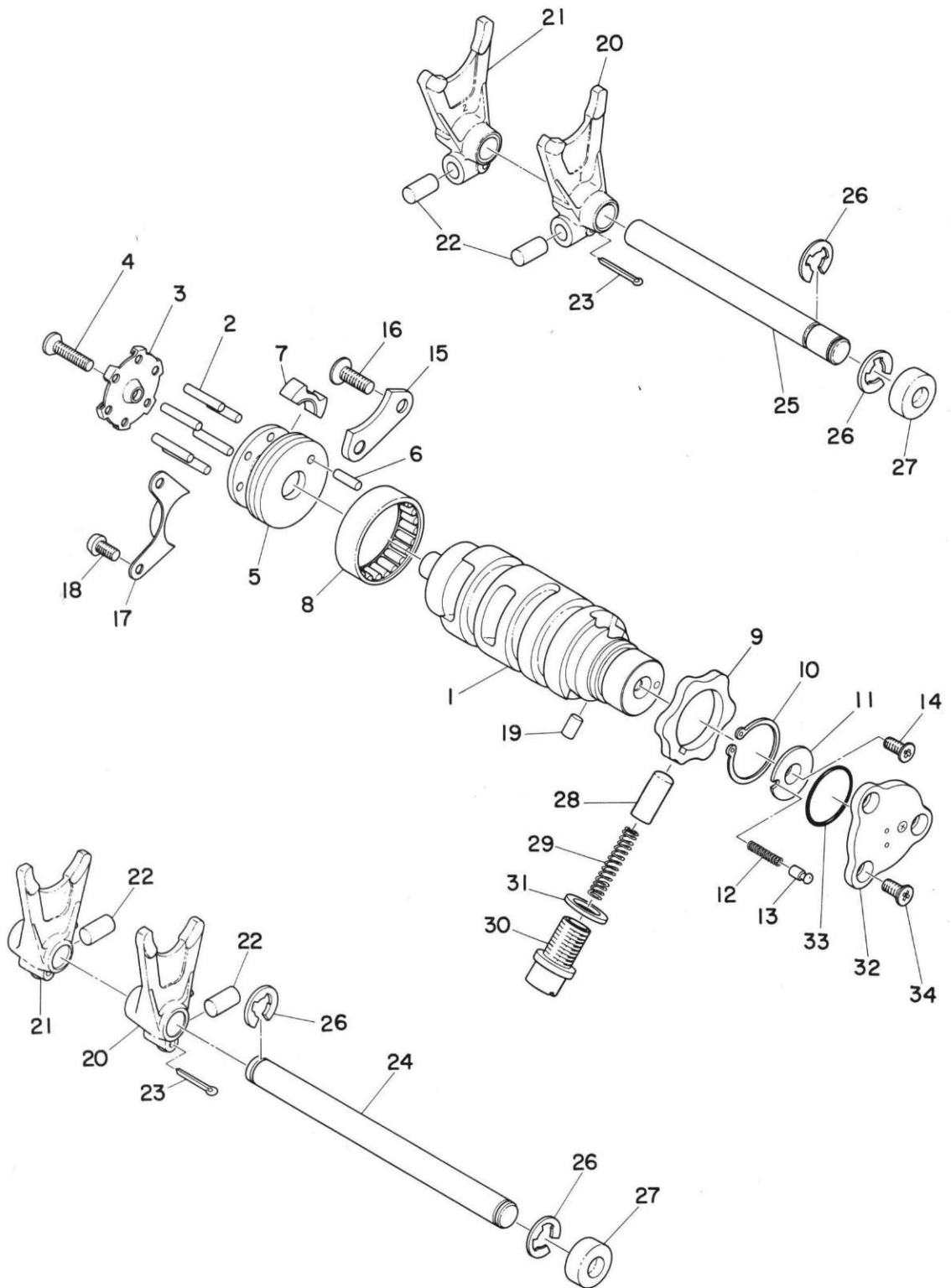
Fig. 6 TRANSMISSION



# TRANSMISSION

| Ref. No. | Part No.        | Description                     | Q'ty  |       | Applicable<br>Machine No. | Remarks          |
|----------|-----------------|---------------------------------|-------|-------|---------------------------|------------------|
|          |                 |                                 | RD250 | RD350 |                           |                  |
| 6-24     | 93310-22057     | BEARING (20-24-10) .....        | 1     | 1     |                           |                  |
| 6-25     | 360-17211-00    | GEAR, 1st wheel (36T) .....     | 1     | 1     |                           |                  |
| 6-26     | 93410-20009     | CIRCLIP (S-20) .....            | 1     | 1     |                           |                  |
| 6-27     | 93311-42006     | BEARING (20-33-15) .....        | 1     | 1     |                           |                  |
| 6-28     | 278-17425-00    | CIRCLIP .....                   | 1     | 1     |                           |                  |
| 6-29     | 168-17428-01-03 | SHIM, drive axle (25-34-0.3) .. | }     | }     | U.R U.R                   |                  |
|          | 168-17428-01-05 | SHIM, drive axle (25-34-0.5) .. |       |       |                           |                  |
| 6-30     | 278-17424-00    | CIRCLIP .....                   | 1     | 1     |                           |                  |
| 6-31     | 93306-30504     | BEARING (6305N special) ....    | 1     | 1     |                           |                  |
| 6-32     | 93102-35054     | OIL SEAL (SD-35-62-6) .....     | 1     | 1     |                           |                  |
| 6-33     | 169-17462-00    | COLLAR, distance (25-35-17.5)   | 1     | 1     |                           |                  |
| 6-34     | 168-17461-40    | SPROCKET (14T) .....            | }     | }     | U.R U.R                   | STD(RD250,RD350) |
|          | 168-17461-50    | SPROCKET (15T) .....            |       |       |                           |                  |
|          | 168-17461-60    | SPROCKET (16T) .....            |       |       |                           |                  |
| 6-35     | 156-17464-01    | WASHER, lock .....              | 1     | 1     |                           |                  |
| 6-36     | 152-17463-00    | NUT, lock .....                 | 1     | 1     |                           |                  |
| 6-37     | 137-15643-00    | WASHER, wave .....              | 1     | 1     |                           |                  |
| 6-38     | 278-15650-00    | IDLER GEAR ASS'Y (22T & 27T)    | 1     | 1     |                           |                  |
| 6-39     | 164-17417-00-10 | SHIM, main axle (15.2-20-1) ..  | 1     | 1     |                           |                  |
| 6-40     | 93410-15005     | CIRCLIP (S-15) .....            | 1     | 1     |                           |                  |

Fig. 7 SHIFTER 1

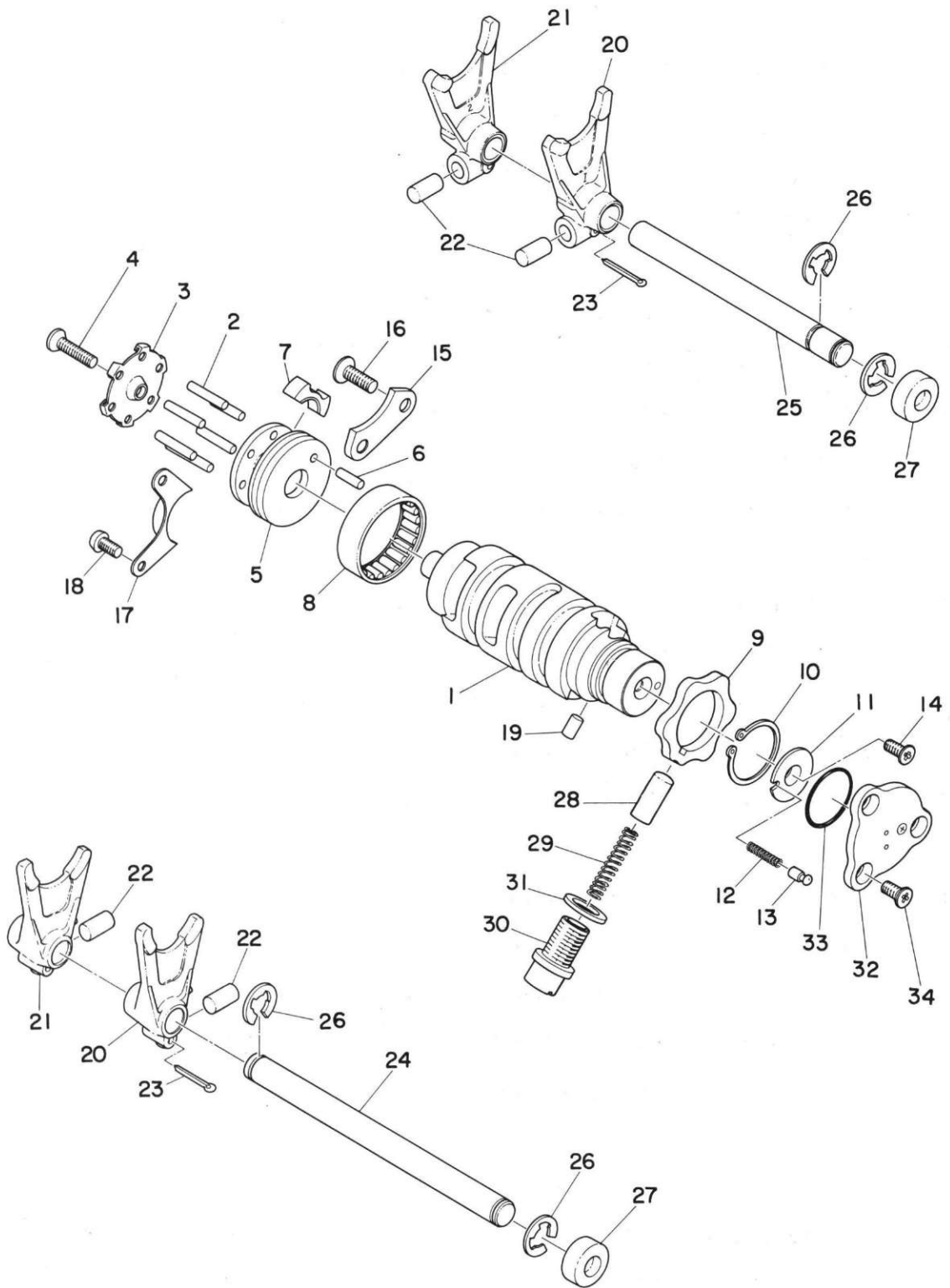


FWD

# SHIFTER 1

| Ref. No. | Part No.     | Description               | Q'ty  |       | Applicable<br>Machine No. | Remarks |
|----------|--------------|---------------------------|-------|-------|---------------------------|---------|
|          |              |                           | RD250 | RD350 |                           |         |
| 7- 1     | 360-18541-00 | CAM, shift .....          | 1     | 1     |                           |         |
| 7- 2     | 93604-22050  | PIN, dowel (4-21.8) ..... | 6     | 6     |                           |         |
| 7- 3     | 328-18561-00 | PLATE, side 1 .....       | 1     | 1     |                           |         |
| 7- 4     | 98701-05020  | SCREW, flathead .....     | 1     | 1     |                           |         |
| 7- 5     | 328-18185-00 | SEGMENT .....             | 1     | 1     |                           |         |
| 7- 6     | 93604-14012  | PIN, dowel .....          | 1     | 1     |                           |         |
| 7- 7     | 328-18352-10 | PLATE, pawl .....         | 1     | 1     |                           |         |
| 7- 8     | 93315-23612  | BEARING (36-46-12) .....  | 1     | 1     |                           |         |
| 7- 9     | 360-18141-01 | PLATE, stopper .....      | 1     | 1     |                           |         |
| 7-10     | 93410-30012  | CIRCLIP (S-30) .....      | 1     | 1     |                           |         |
| 7-11     | 278-18566-00 | PLATE, side 2 .....       | 1     | 1     |                           |         |
| 7-12     | 278-18545-00 | SPRING .....              | 1     | 1     |                           |         |
| 7-13     | 278-18542-00 | POINT, neutral .....      | 1     | 1     |                           |         |
| 7-14     | 98701-05012  | SCREW, flathead .....     | 1     | 1     |                           |         |
| 7-15     | 328-18562-00 | PLATE, stopper 2 .....    | 1     | 1     |                           |         |
| 7-16     | 92701-06015  | SCREW, flathead .....     | 2     | 2     |                           |         |
| 7-17     | 328-18179-00 | GUIDE, change lever ..... | 1     | 1     |                           |         |
| 7-18     | 98501-05010  | SCREW, panhead .....      | 2     | 2     |                           |         |
| 7-19     | 93604-08071  | PIN, dowel (4-8) .....    | 1     | 1     |                           |         |
| 7-20     | 328-18511-00 | FORK, shift 1 .....       | 2     | 2     |                           |         |
| 7-21     | 328-18512-00 | FORK, shift 2 .....       | 2     | 2     |                           |         |
| 7-22     | 278-18552-00 | PIN, cam follower .....   | 4     | 4     |                           |         |
| 7-23     | 91401-25020  | PIN, cotter .....         | 4     | 4     |                           |         |

Fig. 7 SHIFTER 1

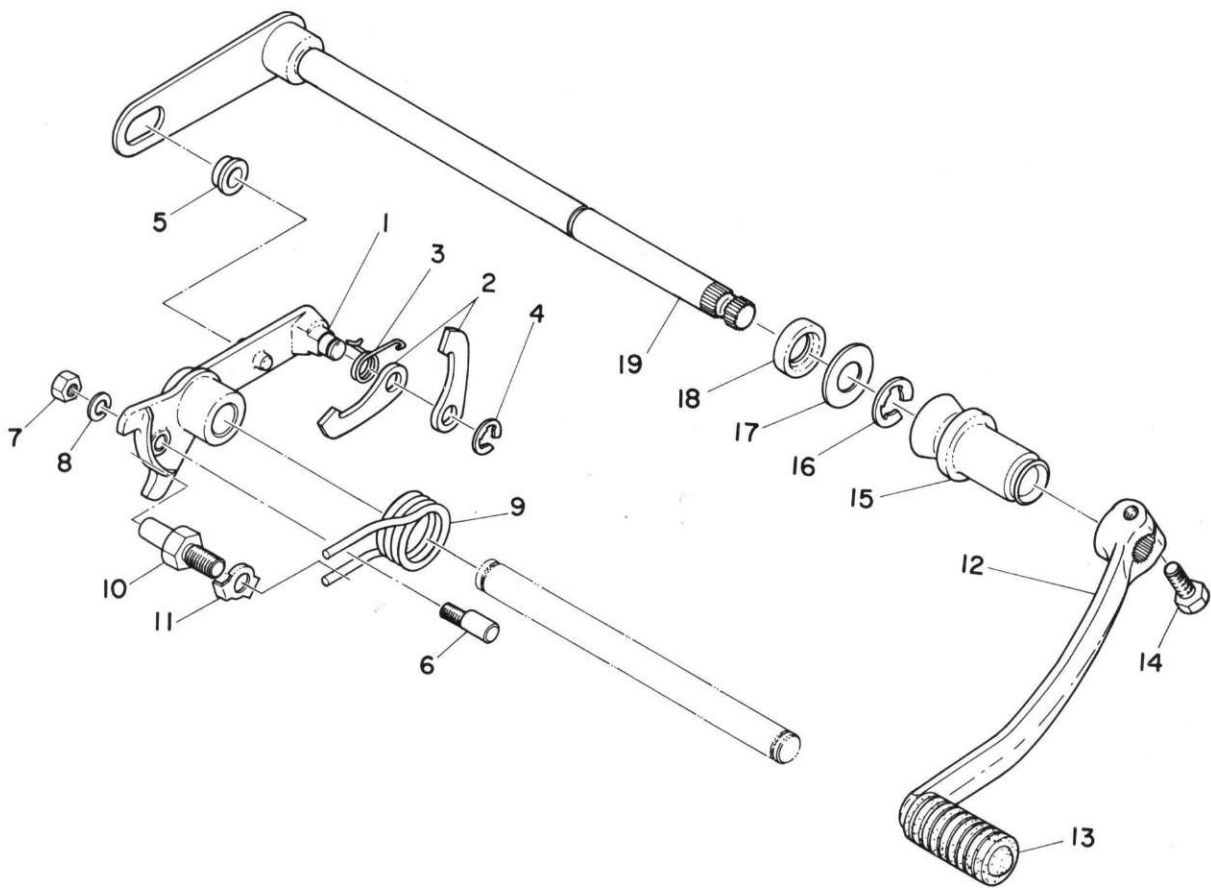


# SHIFTER 1

| Ref. No. | Part No.     | Description                    | Q'ty  |       | Applicable<br>Machine No. | Remarks |
|----------|--------------|--------------------------------|-------|-------|---------------------------|---------|
|          |              |                                | RD250 | RD350 |                           |         |
| 7-24     | 278-18531-00 | BAR, shift fork guide 1        | ..... | 1     | 1                         |         |
| 7-25     | 278-18535-00 | BAR, shift fork guide 2        | ..... | 1     | 1                         |         |
| 7-26     | 93430-10016  | CIRCLIP (E-10)                 | ..... | 4     | 4                         |         |
| 7-27     | 278-18149-00 | PLUG, blind                    | ..... | 2     | 2                         |         |
| 7-28     | 278-18547-02 | STOPPER, cam                   | ..... | 1     | 1                         |         |
| 7-29     | 278-18557-00 | SPRING, cam stopper            | ..... | 1     | 1                         |         |
| 7-30     | 278-18577-03 | SCREW, spring                  | ..... | 1     | 1                         |         |
| 7-31     | 137-15353-00 | GASKET, drain plug (14-21-1.5) |       | 1     | 1                         |         |
| 7-32     | 278-82540-01 | NEUTRAL SWITCH ASS'Y           | ...   | 1     | 1                         |         |
| 7-33     | 93210-29147  | O-RING (2.4-29.4)              | ..... | 1     | 1                         |         |
| 7-34     | 98701-05020  | SCREW, flathead                | ..... | 3     | 3                         |         |



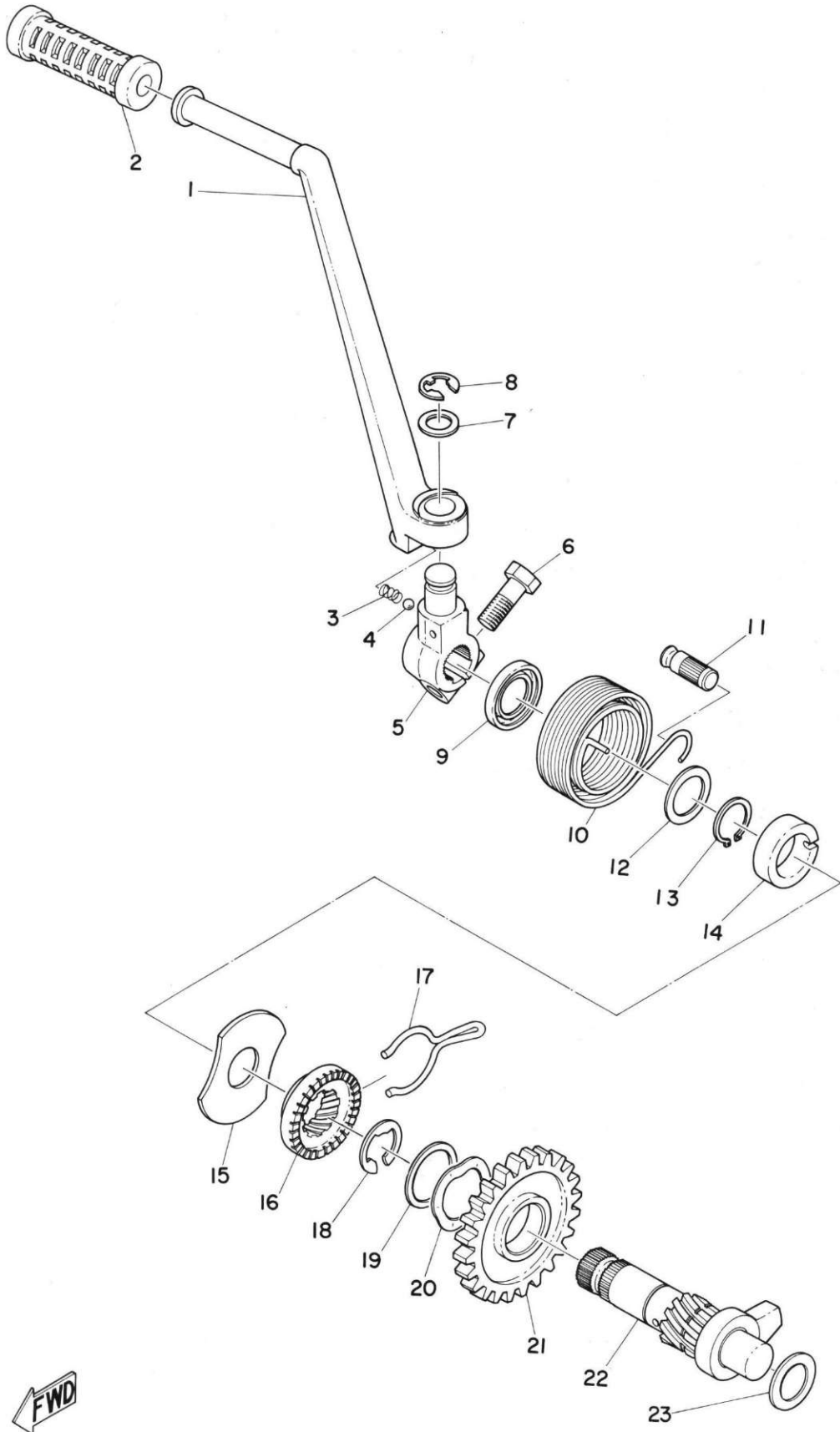
Fig. 8 SHIFTER 2



## SHIFTER 2

| Ref. No. | Part No.        | Description                                | Q'ty  |       | Applicable<br>Machine No. | Remarks |
|----------|-----------------|--|-------|-------|---------------------------|---------|
|          |                 |  | RD250 | RD350 |                           |         |
| 8- 1     | 328-18128-00    | BRACKET .....                              | 1     | 1     |                           |         |
| 8- 2     | 328-18151-00    | LEVER, change 3 .....                      | 2     | 2     |                           |         |
| 8- 3     | 214-18123-00    | SPRING .....                               | 1     | 1     |                           |         |
| 8- 4     | 93430-07012     | CIRCLIP (E-7) .....                        | 1     | 1     |                           |         |
| 8- 5     | 214-18178-00    | ROLLER, change lever .....                 | 1     | 1     |                           |         |
| 8- 6     | 214-18186-00    | SCREW, adjusting .....                     | 1     | 1     |                           |         |
| 8- 7     | 98801-06100     | NUT .....                                  | 1     | 1     |                           |         |
| 8- 8     | 92901-06100     | WASHER, spring .....                       | 1     | 1     |                           |         |
| 8- 9     | 278-18124-00    | SPRING, shaft return .....                 | 1     | 1     |                           |         |
| 8-10     | 278-18127-00    | STOPPER, screw .....                       | 1     | 1     |                           |         |
| 8-11     | 214-18139-02    | WASHER, lock .....                         | 1     | 1     |                           |         |
| 8-12     | 278-18111-00-93 | PEDAL, change .....                        | 1     | 1     |                           |         |
| 8-13     | 132-18113-01    | COVER, change pedal .....                  | 1     | 1     |                           |         |
| 8-14     | 91101-06020     | BOLT .....                                 | 1     | 1     |                           |         |
| 8-15     | 278-18131-00    | BOOT, sealing .....                        | 1     | 1     |                           |         |
| 8-16     | 93430-10016     | CIRCLIP (E-10) .....                       | 1     | 1     |                           |         |
| 8-17     | 132-18137-00    | WASHER, change axle<br>(12.1-26-1.6) ..... | 1     | 1     |                           |         |
| 8-18     | 93101-12004     | OIL SEAL (S-21-22-5) .....                 | 1     | 1     |                           |         |
| 8-19     | 278-18101-01    | CHANGE SHAFT ASS'Y .....                   | 1     | 1     |                           |         |

Fig. 9 KICK STARTER

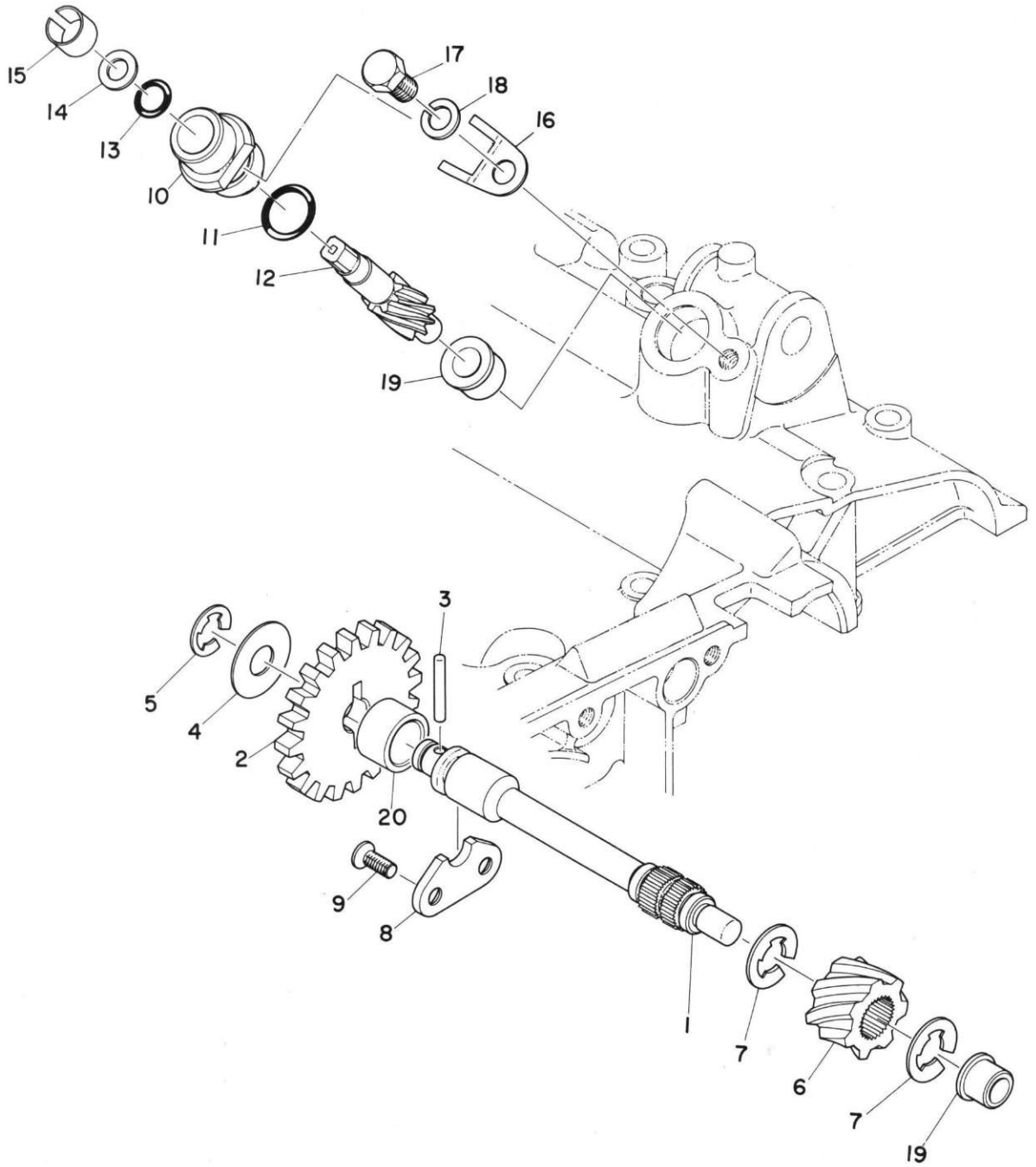


FWD

# KICK STARTER

| Ref. No. | Part No.        | Description                       | Q'ty  |       | Applicable<br>Machine No. | Remarks |
|----------|-----------------|-----------------------------------|-------|-------|---------------------------|---------|
|          |                 |                                   | RD250 | RD350 |                           |         |
| 9- 1     | 278-15611-00-93 | CRANK, kick .....                 | 1     | 1     |                           |         |
| 9- 2     | 156-15618-01    | COVER, kick lever .....           | 1     | 1     |                           |         |
| 9- 3     | 278-15622-00    | SPRING, boss stopper .....        | 1     | 1     |                           |         |
| 9- 4     | 93507-32009     | BALL (7/32 inch) .....            | 1     | 1     |                           |         |
| 9- 5     | 278-15621-00    | BOSS, kick crank .....            | 1     | 1     |                           |         |
| 9- 6     | 97101-08030     | BOLT .....                        | 1     | 1     |                           |         |
| 9- 7     | 278-15613-00    | WASHER (15.5-24-1.5) .....        | 1     | 1     |                           |         |
| 9- 8     | 93430-10016     | CIRCLIP (E-10) .....              | 1     | 1     |                           |         |
| 9- 9     | 93104-20007     | OIL SEAL (SO-20-30-4.5) ....      | 1     | 1     |                           |         |
| 9-10     | 278-15665-00    | SPRING, kick .....                | 1     | 1     |                           |         |
| 9-11     | 248-15668-00    | STOPPER, kick spring .....        | 1     | 1     |                           |         |
| 9-12     | 132-17216-00    | WASHER, gear hold (20-25-1) ..    | 1     | 1     |                           |         |
| 9-13     | 93410-20009     | CIRCLIP (S-20) .....              | 1     | 1     |                           |         |
| 9-14     | 278-15666-00    | SPACER .....                      | 1     | 1     |                           |         |
| 9-15     | 278-15676-00    | COVER, spring .....               | 1     | 1     |                           |         |
| 9-16     | 278-15671-00    | WHEEL, ratchet .....              | 1     | 1     |                           |         |
| 9-17     | 278-15687-00    | CLIP .....                        | 1     | 1     |                           |         |
| 9-18     | 93440-25008     | CIRCLIP (25 $\phi$ special) ..... | 1     | 1     |                           |         |
| 9-19     | 152-17226-00    | WASHER, gear hold (25-32-1) ..    | 1     | 1     |                           |         |
| 9-20     | 278-15643-01    | WASHER, wave .....                | 1     | 1     |                           |         |
| 9-21     | 278-15641-00    | GEAR, kick (27T) .....            | 1     | 1     |                           |         |
| 9-22     | 278-15660-01    | KICK AXLE ASS'Y .....             | 1     | 1     |                           |         |
| 9-23     | 136-17417-00-10 | SHIM (17.2-28-1) .....            | 1     | 1     |                           |         |

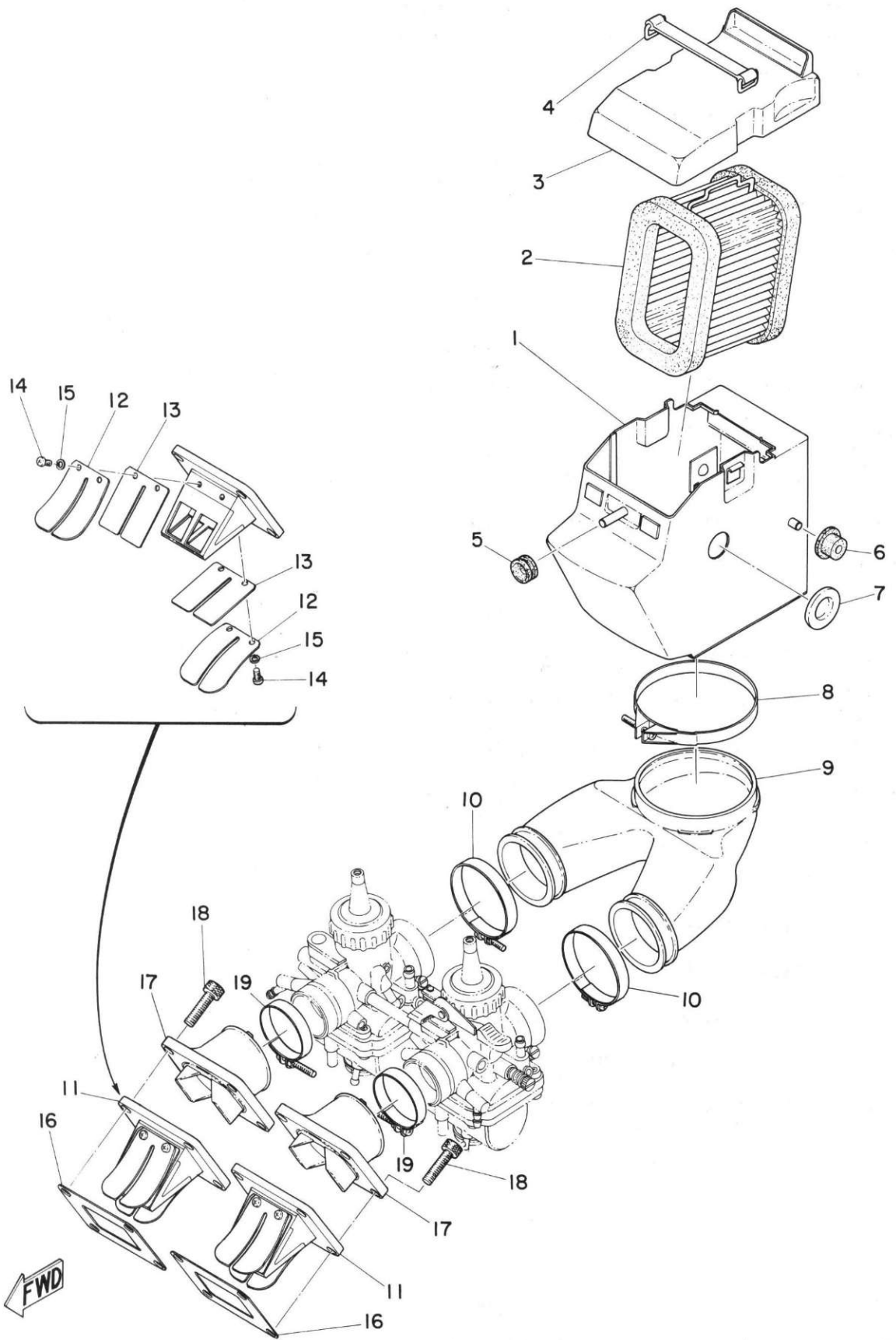
Fig.10 TACHOMETER GEAR



# TACHOMETER GEAR

| Ref. No. | Part No.     | Description               | Q'ty  |       | Applicable<br>Machine No. | Remarks |
|----------|--------------|---------------------------|-------|-------|---------------------------|---------|
|          |              |                           | RD250 | RD350 |                           |         |
| 10- 1    | 278-17861-00 | AXLE .....                | 1     | 1     |                           |         |
| 10- 2    | 280-17851-00 | GEAR, primary .....       | 1     |       |                           |         |
|          | 278-17851-00 | GEAR, primary .....       |       | 1     |                           |         |
| 10- 3    | 93603-22028  | PIN, dowel (3-21.8) ..... | 1     | 1     |                           |         |
| 10- 4    | 102-18138-00 | WASHER (10.2-24-1) .....  | 1     | 1     |                           |         |
| 10- 5    | 93430-08006  | CIRCLIP (E-8) .....       | 1     | 1     |                           |         |
| 10- 6    | 278-17831-00 | GEAR, drive .....         | 1     | 1     |                           |         |
| 10- 7    | 93430-10016  | CIRCLIP (E-10) .....      | 2     | 2     |                           |         |
| 10- 8    | 278-17812-00 | STOPPER .....             | 1     | 1     |                           |         |
| 10- 9    | 98701-05012  | SCREW, flathead .....     | 2     | 2     |                           |         |
| 10-10    | 214-17811-01 | HOUSING .....             | 1     | 1     |                           |         |
| 10-11    | 93210-13016  | O-RING (1.8-13) .....     | 1     | 1     |                           |         |
| 10-12    | 214-17841-01 | GEAR, driven .....        | 1     | 1     |                           |         |
| 10-13    | 93210-07100  | O-RING (2.2-7.2) .....    | 1     | 1     |                           |         |
| 10-14    | 214-17847-00 | SHIM (7.5-10.8-0.4) ..... | 1     | 1     |                           |         |
| 10-15    | 214-17815-00 | BUSHING .....             | 1     | 1     |                           |         |
| 10-16    | 214-17812-00 | STOPPER .....             | 1     | 1     |                           |         |
| 10-17    | 91201-06010  | BOLT .....                | 1     | 1     |                           |         |
| 10-18    | 92901-06100  | WASHER, spring .....      | 1     | 1     |                           |         |
| 10-19    | 214-17843-00 | BUSHING .....             | 2     | 2     |                           |         |
| 10-20    | 278-17833-00 | BUSHING .....             | 1     | 1     |                           |         |

Fig. 11 INTAKE

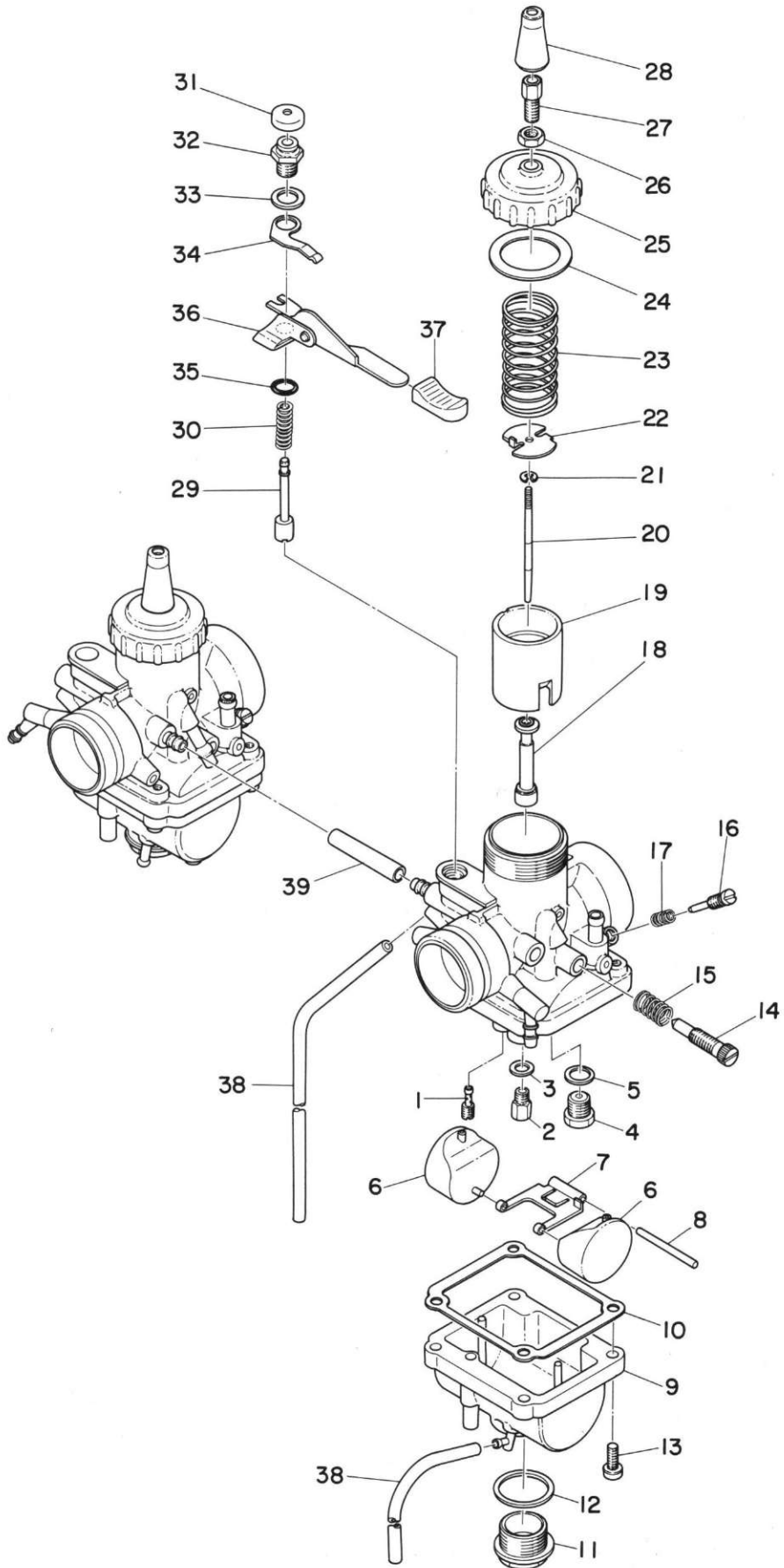


# INTAKE

| Ref.No. | Part No.     | Description                 | Q'ty  |       | Applicable<br>Machine No. | Remarks |
|---------|--------------|-----------------------------|-------|-------|---------------------------|---------|
|         |              |                             | RD250 | RD350 |                           |         |
| 11- 1   | 360-14411-00 | CASE, air cleaner .....     | 1     | 1     |                           |         |
| 11- 2   | 278-14451-00 | ELEMENT .....               | 1     | 1     |                           |         |
| 11- 3   | 278-14412-01 | CAP, case .....             | 1     | 1     |                           |         |
| 11- 4   | 278-14459-00 | HOLDER .....                | 1     | 1     |                           |         |
| 11- 5   | 214-21746-00 | DAMPER, tool box .....      | 1     | 1     |                           |         |
| 11- 6   | 278-14426-00 | DAMPER 2 .....              | 2     | 2     |                           |         |
| 11- 7   | 360-14435-00 | GROMMET .....               | 2     | 2     |                           |         |
| 11- 8   | 360-14456-00 | BAND .....                  | 1     | 1     |                           |         |
| 11- 9   | 360-14453-00 | JOINT .....                 | 1     | 1     |                           |         |
| 11-10   | 278-14455-00 | BAND .....                  | 2     | 2     |                           |         |
| 11-11   | 345-13610-70 | REED VALVE ASS'Y .....      | 2     | 2     |                           |         |
| 11-12   | 345-13616-70 | . STOPPER, reed valve ..... | 4     | 4     |                           |         |
| 11-13   | 345-13613-70 | . VALVE, reed .....         | 4     | 4     |                           |         |
| 11-14   | 98512-03008  | . SCREW, panhead .....      | 8     | 8     |                           |         |
| 11-15   | 92901-03100  | . WASHER, spring .....      | 8     | 8     |                           |         |
| 11-16   | 314-13621-01 | PACKING, valve seat .....   | 2     | 2     |                           |         |
| 11-17   | 345-13565-71 | JOINT .....                 | 2     | 2     |                           |         |
| 11-18   | 91306-06025  | BOLT .....                  | 8     | 8     |                           |         |
| 11-19   | 304-14455-70 | BAND .....                  | 2     | 2     |                           |         |



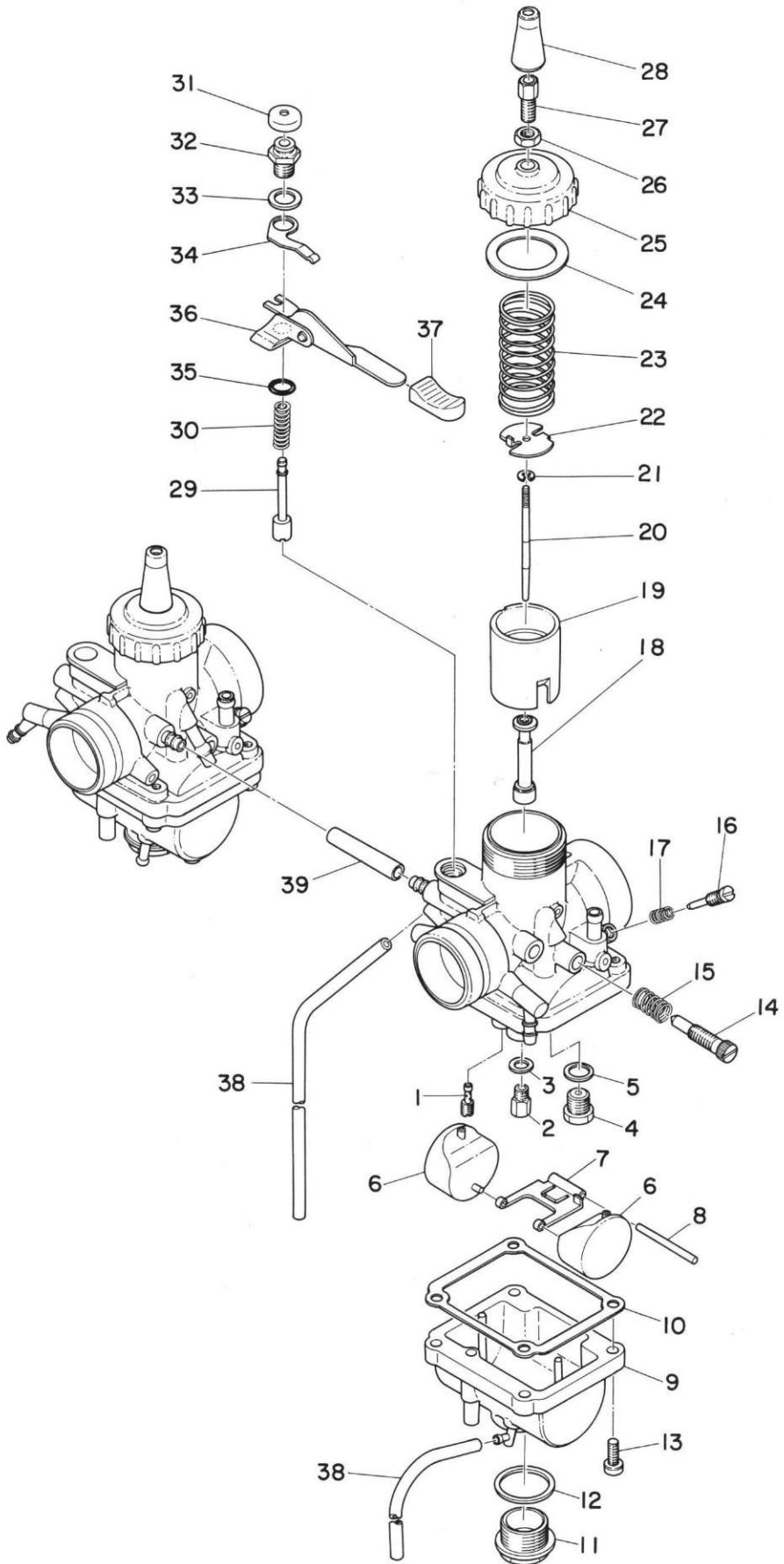
Fig. 12 CARBURETOR



# CARBURETOR

| Ref. No. | Part No.        | Description                 | Q'ty  |                  | Applicable<br>Machine No. | Remarks    |
|----------|-----------------|-----------------------------|-------|------------------|---------------------------|------------|
|          |                 |                             | RD250 | RD350            |                           |            |
| 12- 0-1  | 361-14101-00    | CARBURETOR ASS'Y, left      | ..... | 1                |                           | Black      |
|          | 360-14101-00    | CARBURETOR ASS'Y, left      | ....  | 1                |                           | Black      |
| 12- 0-2  | 361-14102-00    | CARBURETOR ASS'Y, right     | ...   | 1                |                           | Black      |
|          | 360-14102-00    | CARBURETOR ASS'Y, right     | ...   | 1                |                           | Black      |
| 12- 1    | 193-14142-30    | . JET, pilot (#30)          | ..... | 2                |                           |            |
|          | 193-14142-25    | . JET, pilot (#25)          | ..... | 2                |                           |            |
| 12- 2    | 137-14143-22    | . JET, main (#110)          | ..... | } U.R U.R<br>2 2 |                           |            |
|          | 137-14143-24    | . JET, main (#120)          | ..... |                  |                           | STD(RD250) |
|          | 137-14143-26    | . JET, main (#130)          | ..... |                  |                           |            |
|          | 137-14143-28    | . JET, main (#140)          | ..... |                  |                           | STD(RD350) |
|          | 137-14143-30    | . JET, main (#150)          | ..... |                  |                           |            |
| 12- 3    | 137-14153-00    | . WASHER, main jet          | ..... | 2                | 2                         |            |
| 12- 4    | 168-14190-25    | . VALVE SEAT ASS'Y (#2.5)   | ..    | 2                | 2                         |            |
| 12- 5    | 214-14195-00    | . WASHER, valve seat        | ..... | 2                | 2                         |            |
| 12- 6    | 278-14185-00    | . FLOAT                     | ..... | 4                | 4                         |            |
| 12- 7    | 280-14187-00    | . ARM, float                | ..... | 2                | 2                         |            |
| 12- 8    | 137-14186-00    | . PIN, float                | ..... | 2                | 2                         |            |
| 12- 9    | 360-14181-00-33 | . BODY, float chamber left  | ...   | 1                | 1                         |            |
| 12- 9-1  | 360-14183-00-33 | . BODY, float chamber right | ..    | 1                | 1                         |            |
| 12-10    | 360-14184-00    | . GASKET, float chamber     | ....  | 2                | 2                         |            |
| 12-11    | 278-14115-00-33 | . PLUG, screw               | ..... | 2                | 2                         |            |
| 12-12    | 278-14117-00    | . WASHER, screw plug        | ..... | 2                | 2                         |            |
| 12-13    | 308-14567-00-33 | . SCREW, panhead            | ..... | 8                | 8                         |            |
| 12-14    | 204-14122-00-33 | . SCREW, throttle           | ..... | 2                | 2                         |            |
| 12-15    | 127-14134-00    | . SPRING, air adjusting     | ..... | 2                | 2                         |            |

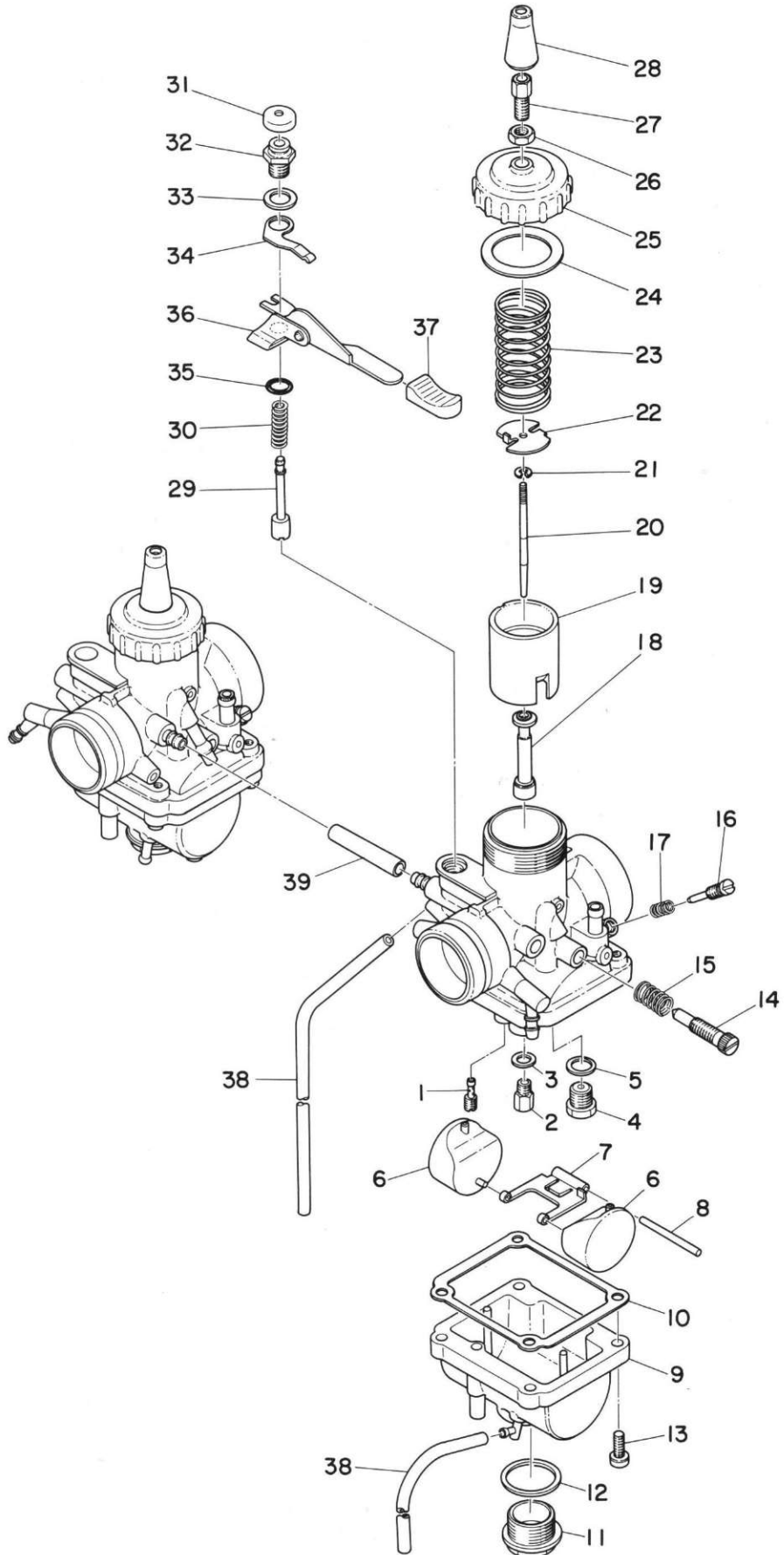
Fig. 12 CARBURETOR



# CARBURETOR

| Ref. No. | Part No.        | Description                    | Q'ty  |       | Applicable<br>Machine No. | Remarks |
|----------|-----------------|--------------------------------|-------|-------|---------------------------|---------|
|          |                 |                                | RD250 | RD350 |                           |         |
| 12-16    | 152-14123-00-33 | . SCREW, air adjusting         | ..... | 2     | 2                         |         |
| 12-17    | 137-14133-00-33 | . SPRING, throttle stop        | ..... | 2     | 2                         |         |
| 12-18    | 360-14141-38    | . NOZZLE, main (0-8)           | ..... | 2     | 2                         |         |
| 12-19    | 360-14112-25    | . VALVE, throttle left (#2.5)  | ..    | 1     | 1                         |         |
| 12-19-1  | 360-14113-25    | . VALVE, throttle right (#2.5) | ..    | 1     | 1                         |         |
| 12-20    | 360-14116-04    | . NEEDLE (514-3)               | ..... | 2     |                           |         |
|          | 360-14116-04    | . NEEDLE (514-4)               | ..... |       | 2                         |         |
| 12-21    | 164-14137-00    | . CLIP                         | ..... | 2     | 2                         |         |
| 12-22    | 256-14936-00    | . SEAT, spring                 | ..... | 2     | 2                         |         |
| 12-23    | 360-14131-00    | . SPRING, throttle valve       | ..... | 2     | 2                         |         |
| 12-24    | 246-14126-00    | . PACKING                      | ..... | 2     | 2                         |         |
| 12-25    | 316-14158-00-33 | . TOP, mixing chamber          | ....  | 2     | 2                         |         |
| 12-26    | 802-14161-00    | . NUT, wire adjusting          | ..... | 2     | 2                         |         |
| 12-27    | 360-14124-20    | . SCREW, wire adjusting        | ....  | 2     | 2                         |         |
| 12-28    | 802-14169-00    | . CAP                          | ..... | 2     | 2                         |         |
| 12-29    | 278-14171-00    | . PLUNGER, starter             | ..... | 1     | 1                         |         |
| 12-30    | 256-14135-00    | . SPRING, plunger              | ..... | 1     | 1                         |         |
| 12-31    | 802-14173-00    | . COVER, plunger cap           | ..... | 1     | 1                         |         |
| 12-32    | 278-14174-00-33 | . CAP, plunger                 | ..... | 1     | 1                         |         |
| 12-33    | 132-14179-00-33 | . WASHER, starter lever        | ....  | 1     | 1                         |         |
| 12-34    | 170-14178-00-33 | . PLATE, starter lever         | ..... | 1     | 1                         |         |
| 12-35    | 93220-09001     | . O-RING                       | ..... | 1     | 1                         |         |
| 12-36    | 278-14175-00-33 | . LEVER, starter left          | ..... | 1     | 1                         |         |
| 12-37    | 360-14169-00    | . CAP                          | ..... | 1     | 1                         |         |

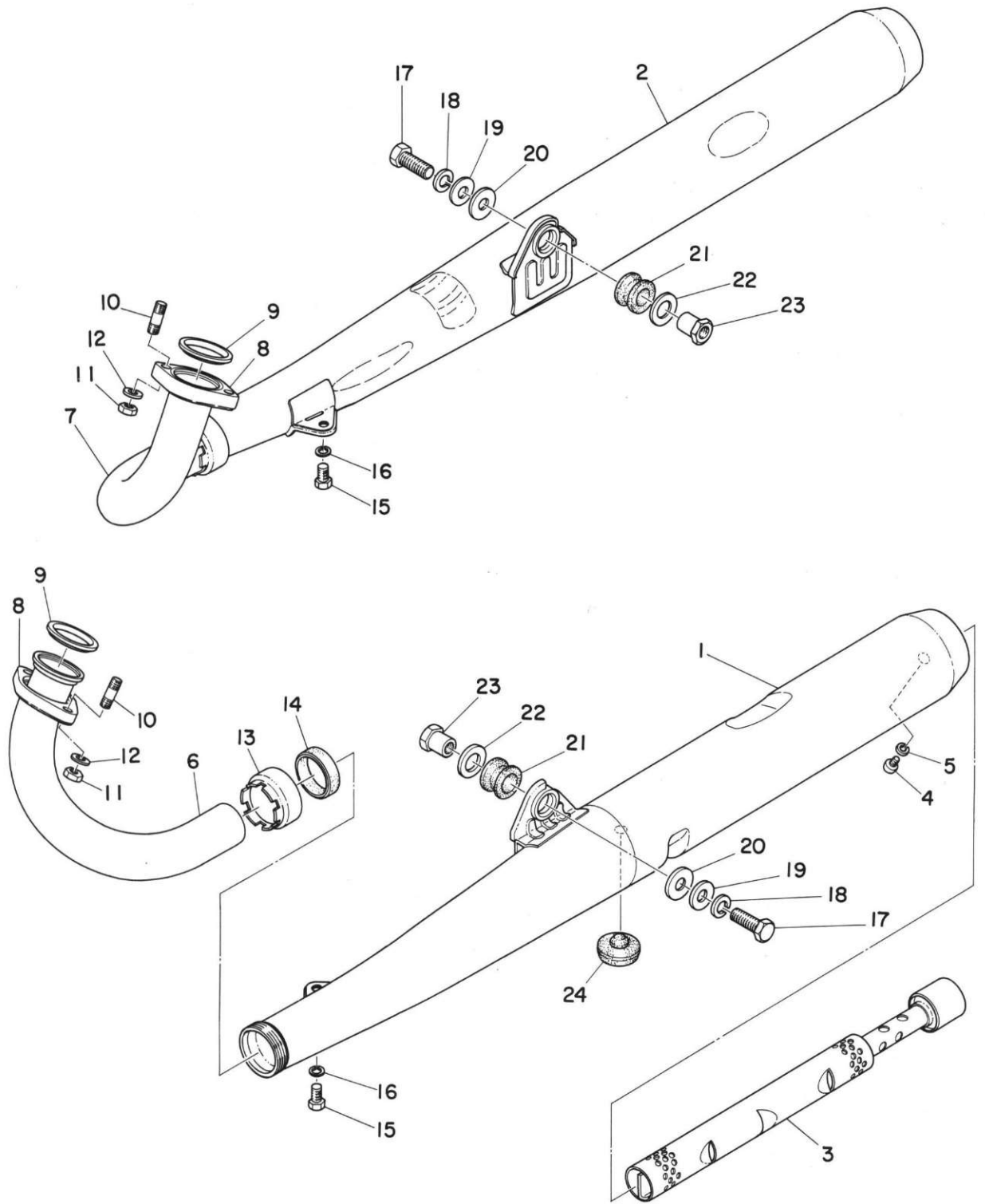
Fig. 12 CARBURETOR



# CARBURETOR

| Ref. No. | Part No.     | Description              | Q'ty    |       | Applicable<br>Machine No. | Remarks |
|----------|--------------|--------------------------|---------|-------|---------------------------|---------|
|          |              |                          | RD250   | RD350 |                           |         |
| 12-38    | 278-14197-00 | . PIPE, air vent (3-320) | ..... 4 | 4     |                           |         |
| 12-39    | 360-14485-00 | PIPE, joint (5-39)       | ..... 1 | 1     |                           |         |

Fig. 13 EXHAUST

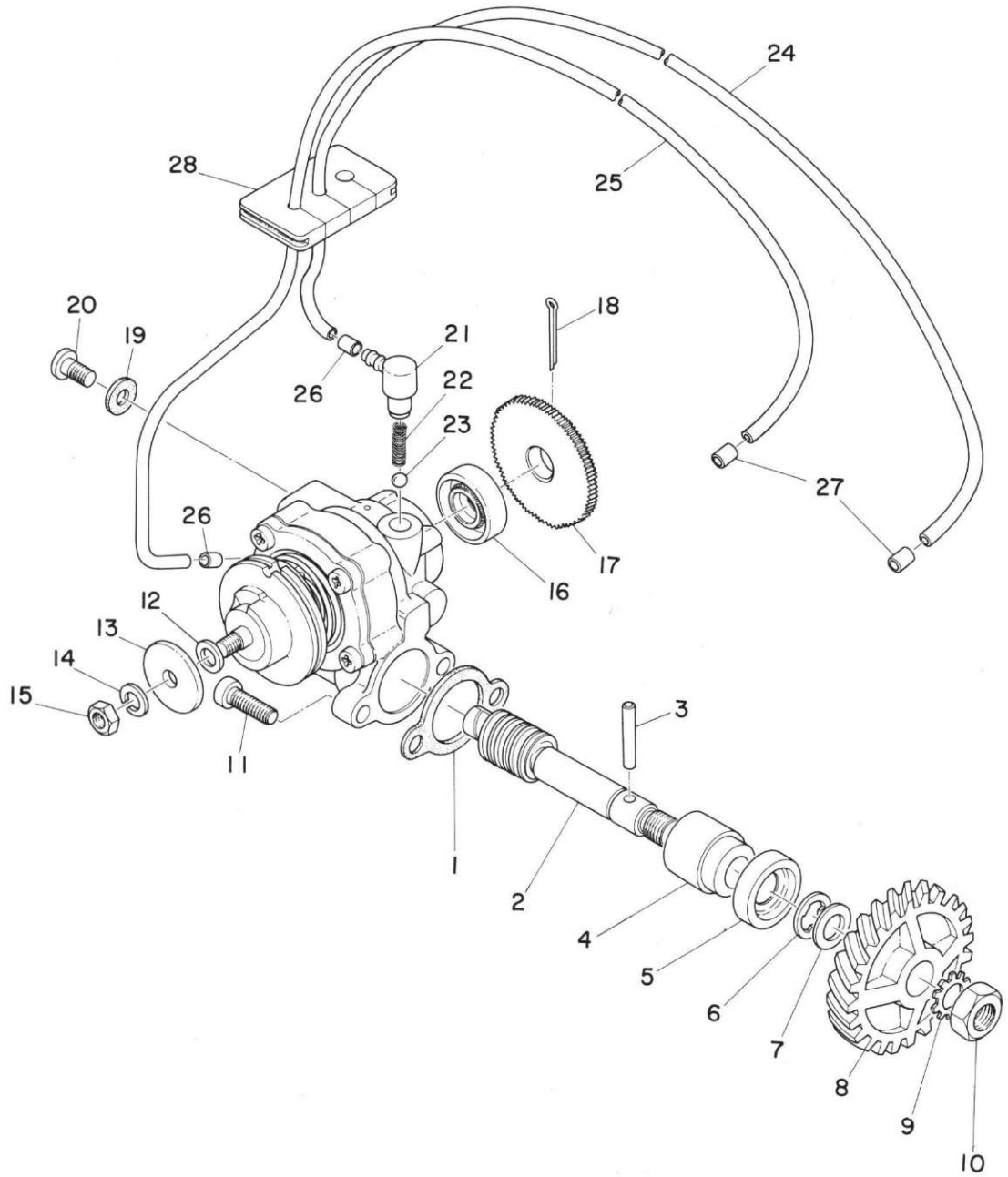


# EXHAUST

| Ref. No. | Part No.     | Description                 | Q'ty  |       | Applicable<br>Machine No. | Remarks |
|----------|--------------|-----------------------------|-------|-------|---------------------------|---------|
|          |              |                             | RD250 | RD350 |                           |         |
| 13- 1    | 360-14710-01 | MUFFLER ASS'Y, left         | 1     | 1     |                           |         |
| 13- 2    | 360-14720-01 | MUFFLER ASS'Y, right        | 1     | 1     |                           |         |
| 13- 3    | 360-14753-00 | . SILENCER                  | 2     | 2     |                           |         |
| 13- 4    | 92501-06010  | . SCREW, panhead            | 2     | 2     |                           |         |
| 13- 5    | 92901-06100  | . WASHER, spring            | 2     | 2     |                           |         |
| 13- 6    | 278-14611-00 | PIPE, exhaust left          | 1     | 1     |                           |         |
| 13- 7    | 278-14621-00 | PIPE, exhaust right         | 1     | 1     |                           |         |
| 13- 8    | 246-14612-00 | NUT, ring                   | 2     | 2     |                           |         |
| 13- 9    | 152-14613-00 | GASKET, exhaust             | 2     | 2     |                           |         |
| 13-10    | 246-14651-00 | BOLT, exhaust pipe hold     | 4     | 4     |                           |         |
| 13-11    | 98803-08200  | NUT                         | 4     | 4     |                           |         |
| 13-12    | 92901-08100  | WASHER, spring              | 4     | 4     |                           |         |
| 13-13    | 360-14713-00 | NUT, muffler joint          | 2     | 2     |                           |         |
| 13-14    | 360-14714-00 | GASKET, muffler joint       | 2     | 2     |                           |         |
| 13-15    | 97201-08015  | BOLT                        | 2     | 2     |                           |         |
| 13-16    | 92901-08100  | WASHER, spring              | 2     | 2     |                           |         |
| 13-17    | 278-14777-00 | BOLT                        | 2     | 2     |                           |         |
| 13-18    | 92901-10100  | WASHER, spring              | 2     | 2     |                           |         |
| 13-19    | 92901-10200  | WASHER, plain               | 2     | 2     |                           |         |
| 13-20    | 102-22243-00 | WASHER (10.5-27-2)          | 2     | 2     |                           |         |
| 13-21    | 168-21639-00 | DAMPER, rear                | 2     | 2     |                           |         |
| 13-22    | 168-21615-00 | WASHER, special (15.2-28-2) | 2     | 2     |                           |         |
| 13-23    | 168-21635-00 | NUT, rear fender            | 2     | 2     |                           |         |
| 13-24    | 278-27114-00 | STOPPER, main stand         | 1     | 1     |                           |         |



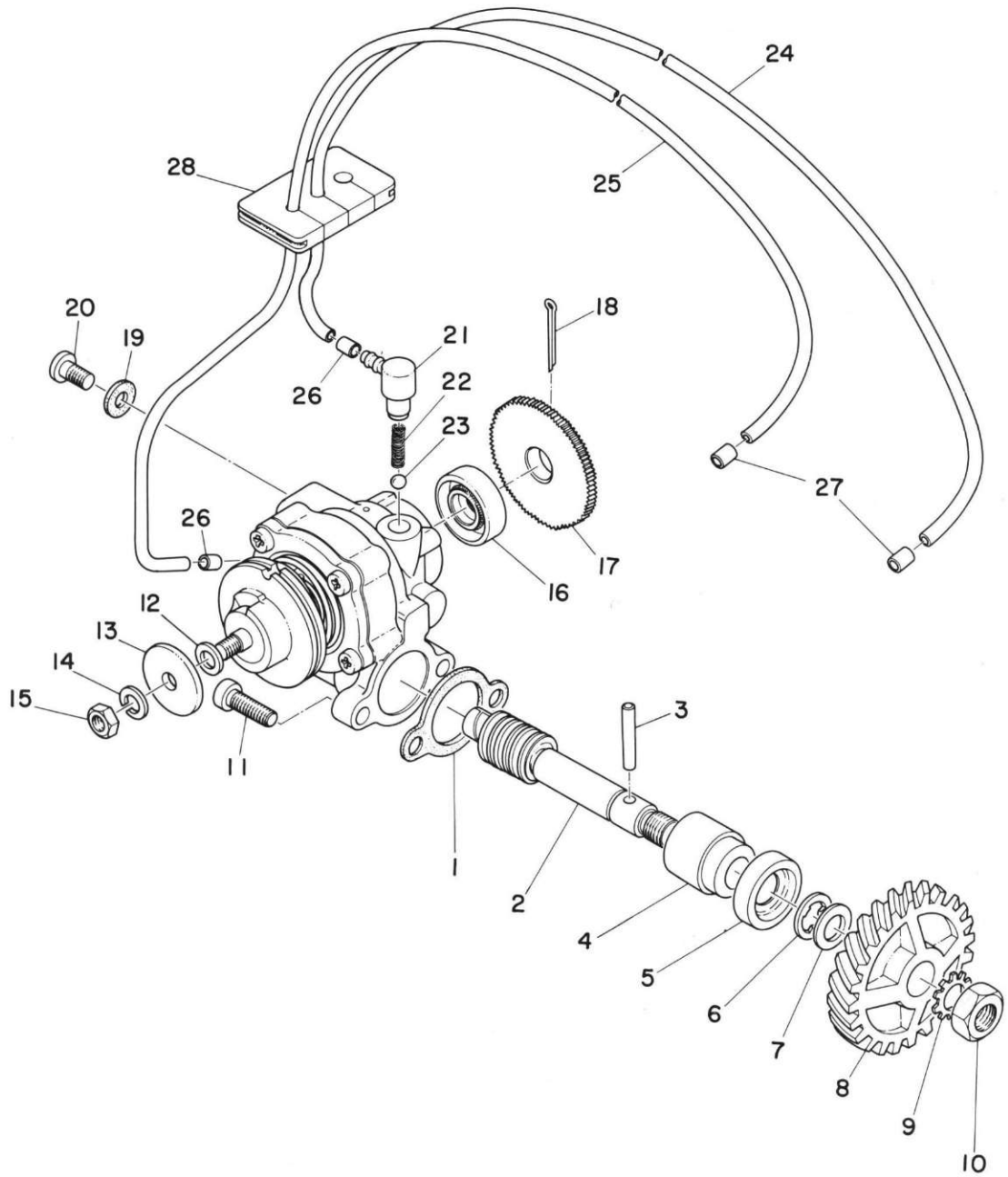
Fig. 14 OIL PUMP



# OIL PUMP

| Ref. No. | Part No.        | Description                  | Q'ty  |           | Applicable<br>Machine No. | Remarks |
|----------|-----------------|------------------------------|-------|-----------|---------------------------|---------|
|          |                 |                              | RD250 | RD350     |                           |         |
| 14- 1    | 126-13116-00    | GASKET, pump case            | 1     | 1         |                           |         |
| 14- 2    | 275-13175-00    | SHAFT, worm                  | 1     |           |                           |         |
|          | 278-13175-00    | SHAFT, worm                  |       | 1         |                           |         |
| 14- 3    | 93603-22028     | PIN, dowel (3-22)            | 1     | 1         |                           |         |
| 14- 4    | 137-13176-00    | METAL, worm shaft outer      | 1     | 1         |                           |         |
| 14- 5    | 93101-10002     | OIL SEAL (S-10-22-7)         | 1     | 1         |                           |         |
| 14- 6    | 93430-08006     | CIRCLIP (E-8)                | 1     | 1         |                           |         |
| 14- 7    | 102-18138-00    | WASHER (10.2-24-1)           | 1     | 1         |                           |         |
| 14- 8    | 280-13178-00    | GEAR, pump drive (22T)       | 1     |           |                           |         |
|          | 278-13178-00    | GEAR, pump drive (21T)       |       | 1         |                           |         |
| 14- 9    | 92901-08400     | WASHER, tooth                | 1     | 1         |                           |         |
| 14-10    | 98801-08300     | NUT                          | 1     | 1         |                           |         |
| 14-11    | 98501-05015     | SCREW, panhead               | 2     | 2         |                           |         |
| 14- 0-1  | 361-13101-00    | OIL PUMP ASS'Y               | 1     |           |                           |         |
|          | 360-13101-00    | OIL PUMP ASS'Y               |       | 1         |                           |         |
| 14-12    | 137-13137-00-03 | . SHIM, plunger (5.8-10-0.3) | ..    | } U.R U.R |                           |         |
|          | 137-13137-00-05 | . SHIM, plunger (5.8-10-0.5) | ..    |           |                           |         |
| 14-13    | 137-13138-01    | . PLATE, adjusting           | 1     | 1         |                           |         |
| 14-14    | 92901-05100     | . WASHER, spring             | 1     | 1         |                           |         |
| 14-15    | 98801-05200     | . NUT                        | 1     | 1         |                           |         |
| 14-16    | 93101-10001     | . OIL SEAL (S-10-21-5)       | 1     | 1         |                           |         |
| 14-17    | 137-13128-00    | . PLATE, starter             | 1     | 1         |                           |         |
| 14-18    | 91401-12018     | . PIN, cotter                | 1     | 1         |                           |         |
| 14-19    | 137-13187-00    | . GASKET, breather bolt      | 1     | 1         |                           |         |
| 14-20    | 98901-04008     | . SCREW, bind                | 1     | 1         |                           |         |

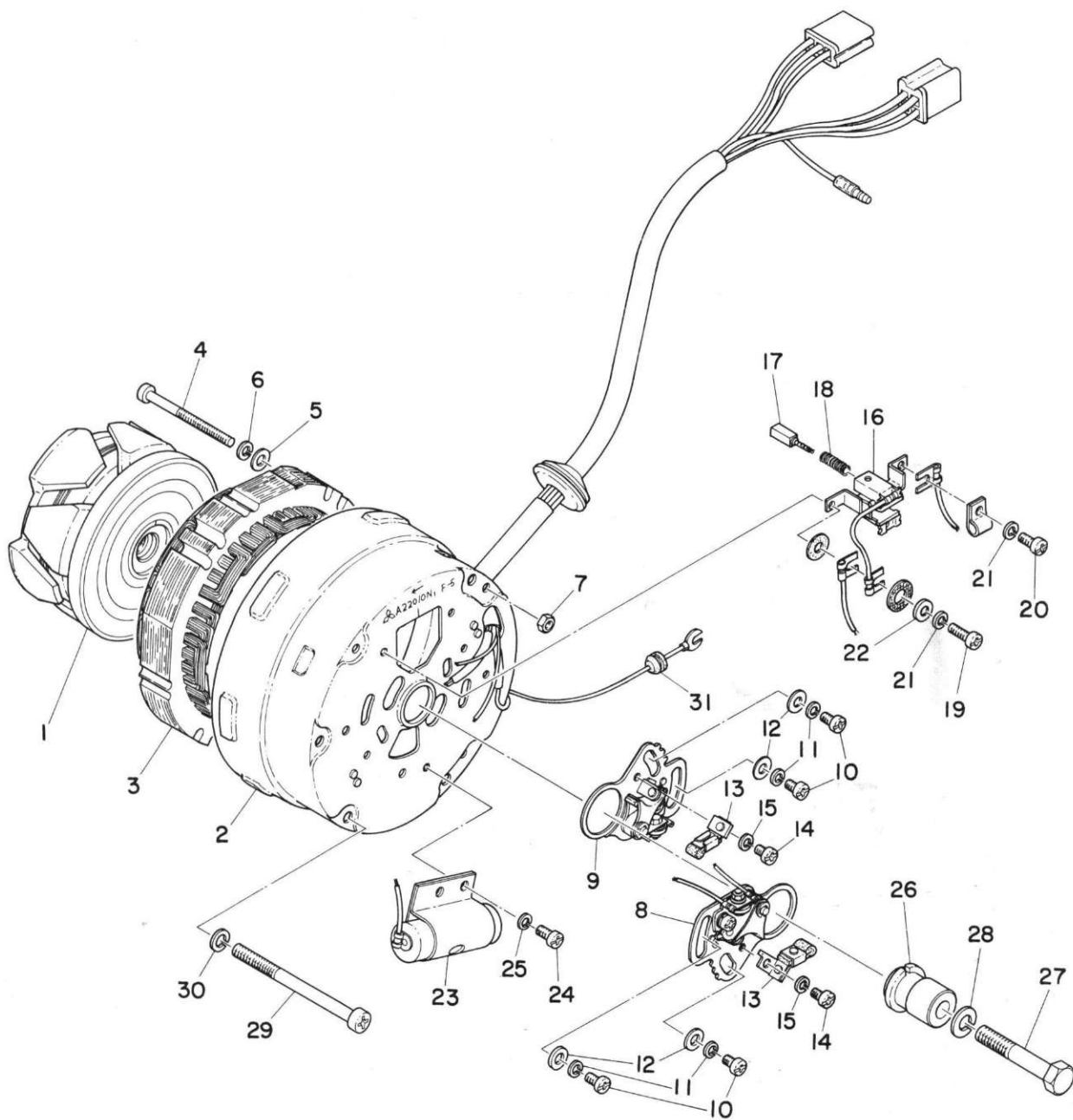
Fig. 14 OIL PUMP



# OIL PUMP

| Ref. No. | Part No.     | Description                    | Q'ty  |       | Applicable<br>Machine No. | Remarks |
|----------|--------------|--------------------------------|-------|-------|---------------------------|---------|
|          |              |                                | RD250 | RD350 |                           |         |
| 14-21    | 353-13552-00 | . NOZZLE .....                 | 2     | 2     |                           |         |
| 14-22    | 278-13169-00 | . SPRING, check ball .....     | 2     | 2     |                           |         |
| 14-23    | 93505-32002  | . BALL (5/32 inch) .....       | 2     | 2     |                           |         |
| 14-24    | 278-13161-00 | . PIPE, delivery (3-420) ..... | 1     | 1     |                           |         |
| 14-25    | 214-13161-01 | . PIPE, delivery (3-240) ..... | 1     | 1     |                           |         |
| 14-26    | 214-13164-00 | . CLIP, delivery pipe .....    | 2     | 2     |                           |         |
| 14-27    | 214-13164-00 | CLIP, delivery pipe .....      | 2     | 2     |                           |         |
| 14-28    | 278-13174-00 | HOLDER, oil pipe .....         | 1     | 1     |                           |         |

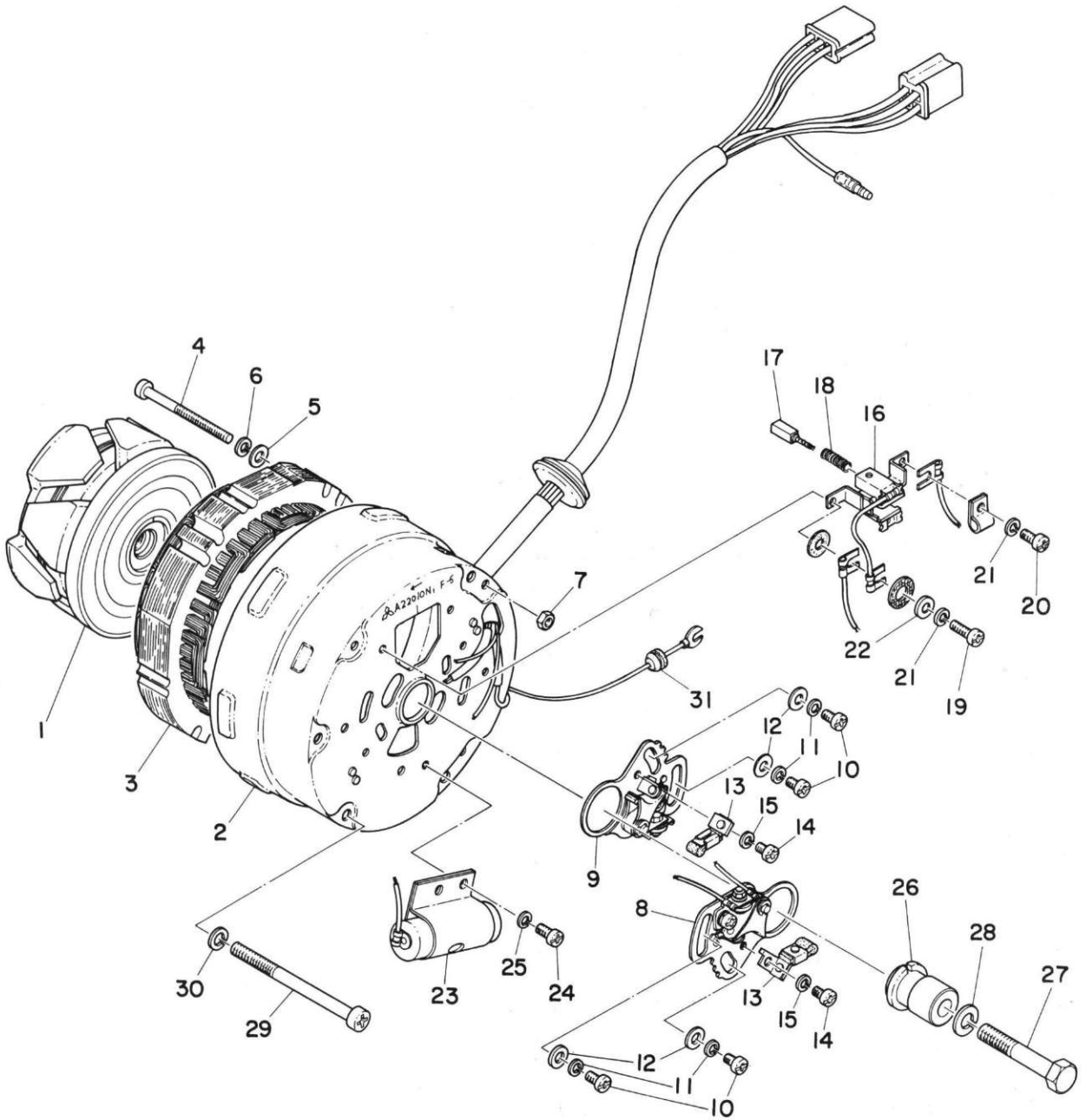
# Fig. 15 A. C. GENERATOR



# A.C.GENERATOR

| Ref. No. | Part No.     | Description                        | Q'ty    |       | Applicable<br>Machine No. | Remarks |
|----------|--------------|------------------------------------|---------|-------|---------------------------|---------|
|          |              |                                    | RD250   | RD350 |                           |         |
| 15- 0-1  | 360-81600-22 | A.C. GENERATOR ASS'Y               | ..... 1 | 1     |                           |         |
| 15- 1    | 360-81650-20 | . ROTOR ASS'Y                      | ..... 1 | 1     |                           |         |
| 15- 2    | 360-81610-22 | . STATOR ASS'Y                     | ..... 1 | 1     |                           |         |
| 15- 3    | 360-81640-20 | . . ARMATURE ASS'Y                 | ..... 1 | 1     |                           |         |
| 15- 4    | 802-84131-00 | . . SCREW, panhead                 | ..... 4 | 4     |                           |         |
| 15- 5    | 92901-04200  | . . WASHER, plain                  | ..... 4 | 4     |                           |         |
| 15- 6    | 92901-04100  | . . WASHER, spring                 | ..... 4 | 4     |                           |         |
| 15- 7    | 98801-04100  | . . NUT                            | ..... 4 | 4     |                           |         |
| 15- 8    | 278-81621-20 | . . CONTACT BREAKER ASS'Y<br>left  | ..... 1 | 1     |                           |         |
| 15- 9    | 278-81622-20 | . . CONTACT BREAKER ASS'Y<br>right | ..... 1 | 1     |                           |         |
| 15-10    | 98501-04008  | . . SCREW, panhead                 | ..... 4 | 4     |                           |         |
| 15-11    | 92901-04100  | . . WASHER, spring                 | ..... 4 | 4     |                           |         |
| 15-12    | 92901-04200  | . . WASHER, plain                  | ..... 4 | 4     |                           |         |
| 15-13    | 131-81231-20 | . . LUBRICATOR                     | ..... 2 | 2     |                           |         |
| 15-14    | 98501-04008  | . . SCREW, panhead                 | ..... 2 | 2     |                           |         |
| 15-15    | 92901-04100  | . . WASHER, spring                 | ..... 2 | 2     |                           |         |
| 15-16    | 360-81619-20 | . . BRUSH HOLDER ASS'Y             | ... 1   | 1     |                           |         |
| 15-17    | 278-81611-20 | . . BRUSH                          | ..... 2 | 2     |                           |         |
| 15-18    | 278-81617-20 | . . . SPRING, brush                | ..... 2 | 2     |                           |         |
| 15-19    | 98501-04012  | . . SCREW, panhead                 | ..... 1 | 1     |                           |         |
| 15-20    | 98501-04008  | . . SCREW, panhead                 | ..... 1 | 1     |                           |         |
| 15-21    | 92901-04100  | . . WASHER, spring                 | ..... 2 | 2     |                           |         |
| 15-22    | 92901-04200  | . . WASHER, plain                  | ..... 1 | 1     |                           |         |

Fig. 15 A. C. GENERATOR



# A.C.GENERATOR

| Ref. No. | Part No.     | Description        | Q'ty  |       | Applicable<br>Machine No. | Remarks |
|----------|--------------|--------------------|-------|-------|---------------------------|---------|
|          |              |                    | RD250 | RD350 |                           |         |
| 15-23    | 360-81625-20 | . . CONDENSER      | 1     | 1     |                           |         |
| 15-24    | 98501-04008  | . . SCREW, panhead | 2     | 2     |                           |         |
| 15-25    | 92901-04100  | . . WASHER, spring | 2     | 2     |                           |         |
| 15-26    | 278-81651-20 | . CAM              | 1     | 1     |                           |         |
| 15-27    | 278-81652-20 | . BOLT             | 1     | 1     |                           |         |
| 15-28    | 92901-08100  | . WASHER, spring   | 1     | 1     |                           |         |
| 15-29    | 168-81235-21 | . SCREW, stator    | 3     | 3     |                           |         |
| 15-30    | 92901-05100  | . WASHER, spring   | 3     | 3     |                           |         |
| 15-31    | 136-82545-00 | GROMMET            | 1     | 1     |                           |         |

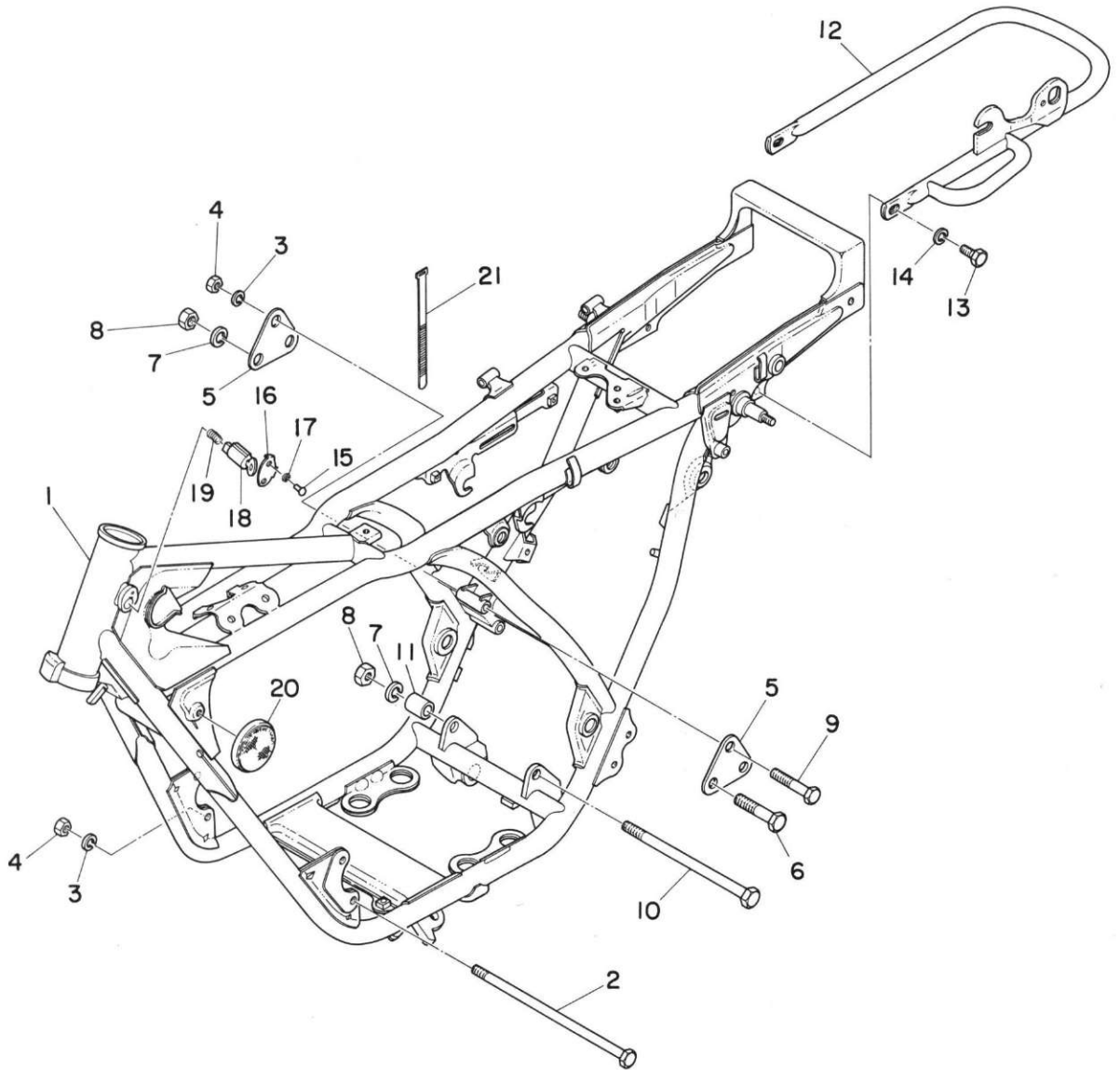




# CHASSIS



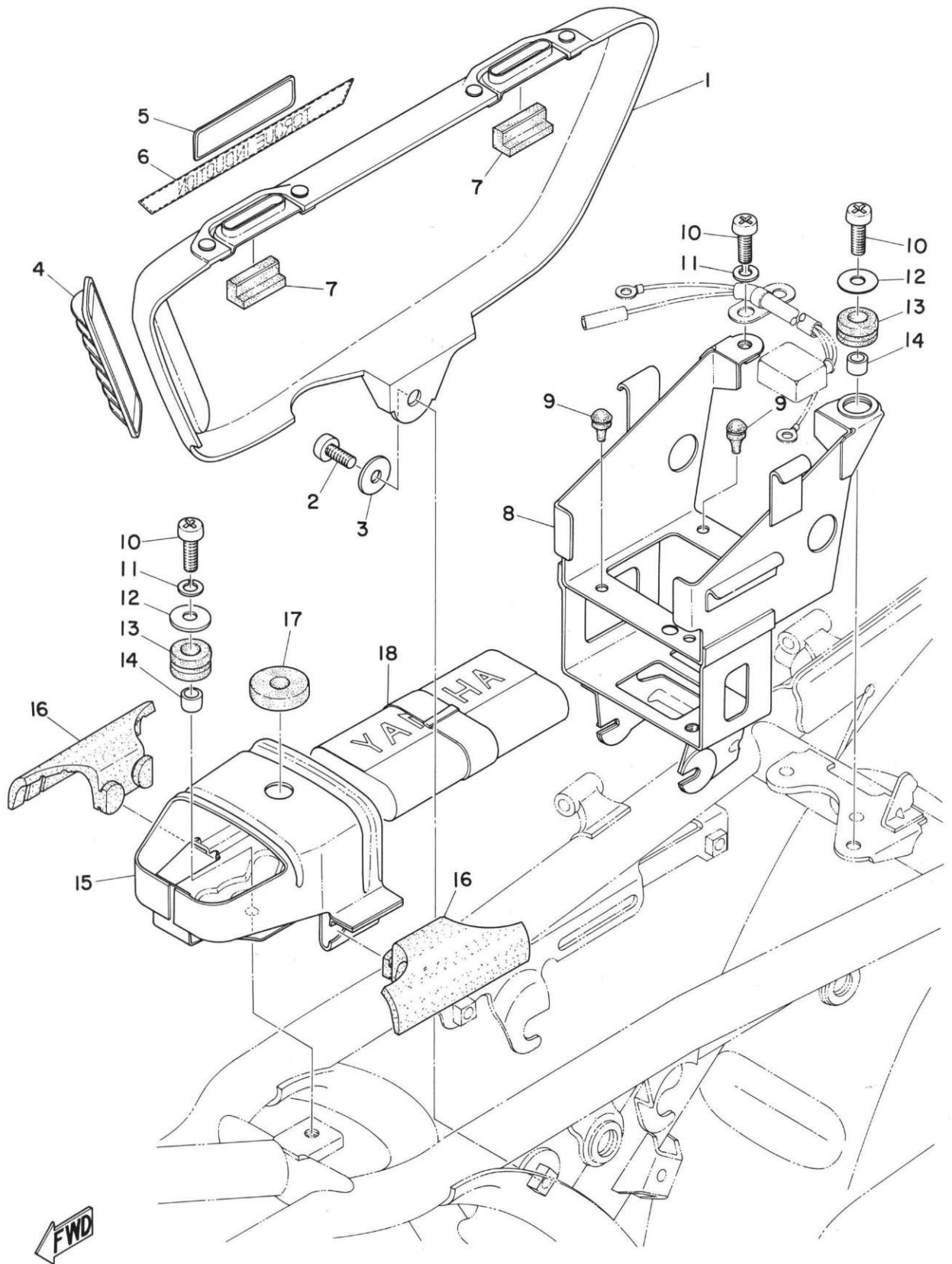
Fig. 16 FRAME



# FRAME

| Ref. No. | Part No.        | Description                   | Q'ty  |       | Applicable<br>Machine No. | Remarks |
|----------|-----------------|-------------------------------|-------|-------|---------------------------|---------|
|          |                 |                               | RD250 | RD350 |                           |         |
| 16- 1    | 360-21110-00-33 | FRAME COMP. ....              | 1     | 1     |                           |         |
| 16- 2    | 169-21482-00    | BOLT, engine front .....      | 2     | 2     |                           |         |
| 16- 3    | 92901-08100     | WASHER, spring .....          | 4     | 4     |                           |         |
| 16- 4    | 98801-08100     | NUT .....                     | 4     | 4     |                           |         |
| 16- 5    | 248-21315-00    | STAY, engine rear upper ..... | 2     | 2     |                           |         |
| 16- 6    | 91201-10055     | BOLT .....                    | 1     | 1     |                           |         |
| 16- 7    | 92901-10100     | WASHER, spring .....          | 2     | 2     |                           |         |
| 16- 8    | 92801-10200     | NUT .....                     | 2     | 2     |                           |         |
| 16- 9    | 97103-08055     | BOLT .....                    | 2     | 2     |                           |         |
| 16-10    | 91101-10195     | BOLT .....                    | 1     | 1     |                           |         |
| 16-11    | 278-21472-00    | COLLAR, engine mount .....    | 1     | 1     |                           |         |
| 16-12    | 360-21645-00    | STAY, rear .....              | 1     | 1     |                           |         |
| 16-13    | 97201-08020     | BOLT .....                    | 2     | 2     |                           |         |
| 16-14    | 92901-08100     | WASHER, spring .....          | 2     | 2     |                           |         |
| 16-15    | 214-23483-00    | RIVET, screw .....            | 1     | 1     |                           |         |
| 16-16    | 134-23484-10    | CAP, handle lock .....        | 1     | 1     |                           |         |
| 16-17    | 214-23488-00    | WASHER, wave .....            | 1     | 1     |                           |         |
| 16-18    | 341-23408-00    | STEERING LOCK ASS'Y .....     | 1     | 1     |                           |         |
| 16-19    | 214-23485-00    | SPRING .....                  | 1     | 1     |                           |         |
| 16-20    | 341-85111-00    | REFLECTOR .....               | 2     | 2     |                           |         |
| 16-21    | 803-82591-00    | BAND .....                    | 2     | 2     |                           |         |

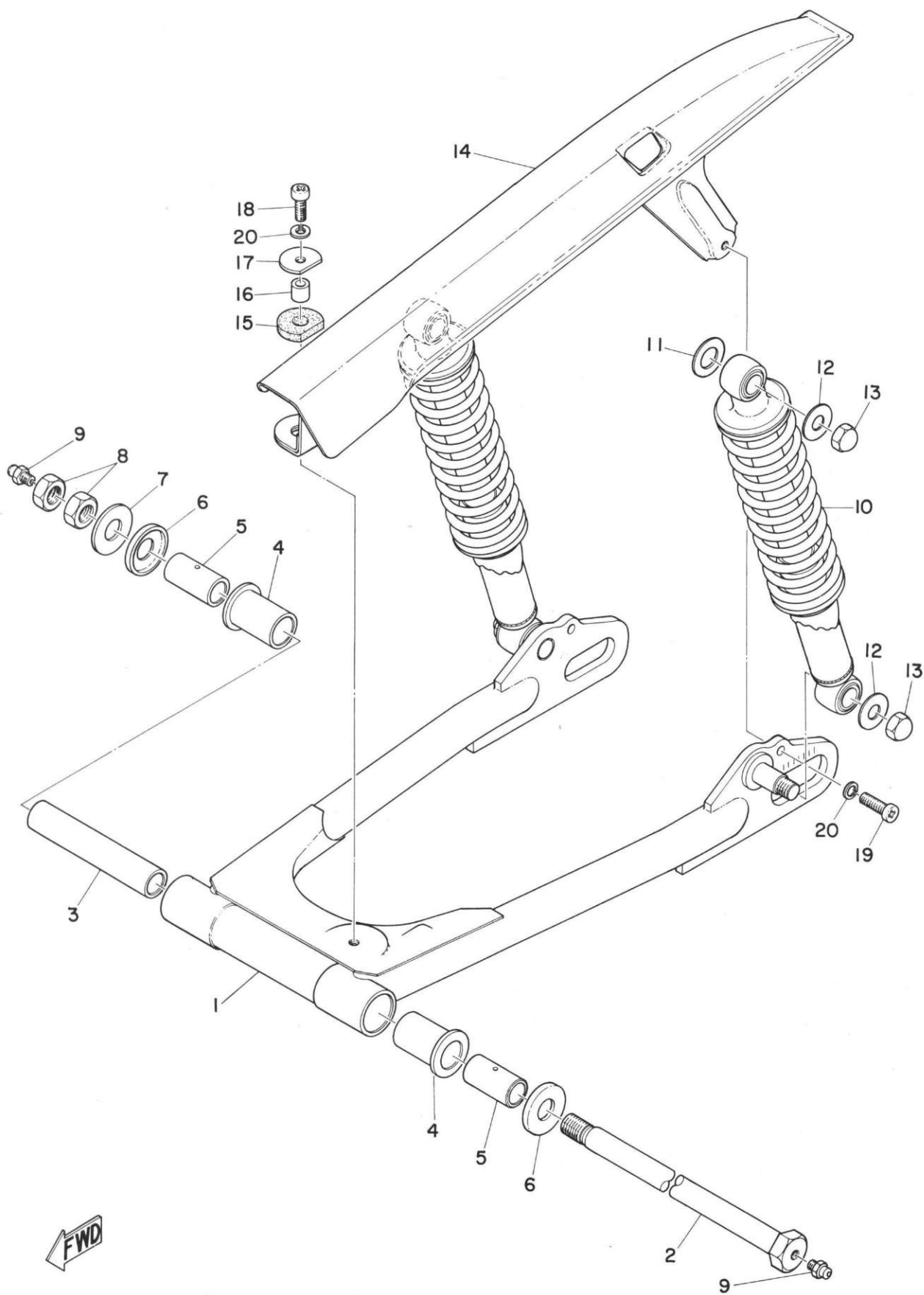
Fig. 17 SIDE COVER • TOOL BOX • BATTERY BOX



# SIDE COVER · TOOL BOX · BATTERY BOX

| Ref. No. | Part No.        | Description                                | Q'ty  |       | Applicable<br>Machine No. | Remarks           |
|----------|-----------------|--|-------|-------|---------------------------|-------------------|
|          |                 |  | RD250 | RD350 |                           |                   |
| 17- 1    | 360-21721-00-F2 | COVER, side right .....                    | 1     |       |                           | Butterfly Blue    |
|          | 360-21721-00-M2 | COVER, side right .....                    | 1     |       |                           | Gold Dust         |
|          | 360-21721-00-A2 | COVER, side right .....                    |       | 1     |                           | Brandy Red        |
|          | 360-21721-00-K1 | COVER, side right .....                    |       | 1     |                           | Competition Green |
| 17- 2    | 92501-06020     | SCREW, panhead .....                       | 1     | 1     |                           |                   |
| 17- 3    | 116-28324-00    | WASHER, leg shield 2<br>(6.5-20-1.6) ..... | 1     | 1     |                           |                   |
| 17- 4    | 360-21782-00    | MOLD, right .....                          | 1     | 1     |                           |                   |
| 17- 5    | 361-21786-00    | EMBLEM 250 .....                           | 1     |       |                           |                   |
|          | 360-21786-00    | EMBLEM 350 .....                           |       | 1     |                           |                   |
| 17- 6    | 360-21787-00    | EMBLEM, torque induction ....              | 1     | 1     |                           |                   |
| 17- 7    | 360-21717-01    | DAMPER, side cover .....                   | 2     | 2     |                           |                   |
| 17- 8    | 278-21240-00-33 | BATTERY BOX COMP. ....                     | 1     | 1     |                           |                   |
| 17- 9    | 141-21717-00    | DAMPER, side cover .....                   | 4     | 4     |                           |                   |
| 17-10    | 92501-06020     | SCREW, panhead .....                       | 3     | 3     |                           |                   |
| 17-11    | 92901-06100     | WASHER, spring .....                       | 2     | 2     |                           |                   |
| 17-12    | 116-28324-00    | WASHER, leg shield 2<br>(6.5-20-1.6) ..... | 2     | 2     |                           |                   |
| 17-13    | 214-21717-00    | DAMPER, battery box .....                  | 2     | 2     |                           |                   |
| 17-14    | 214-21633-00    | COLLAR, fender mount .....                 | 2     | 2     |                           |                   |
| 17-15    | 278-21170-00-33 | TOOL BOX COMP. ....                        | 1     | 1     |                           |                   |
| 17-16    | 278-21746-00    | DAMPER, tool box .....                     | 2     | 2     |                           |                   |
| 17-17    | 190-23445-00    | DAMPER, upper .....                        | 1     | 1     |                           |                   |
| 17-18    | 360-28100-10    | TOOL ASS'Y .....                           | 1     | 1     |                           |                   |

Fig. 18 REAR ARM · REAR CUSHION · CHAIN CASE

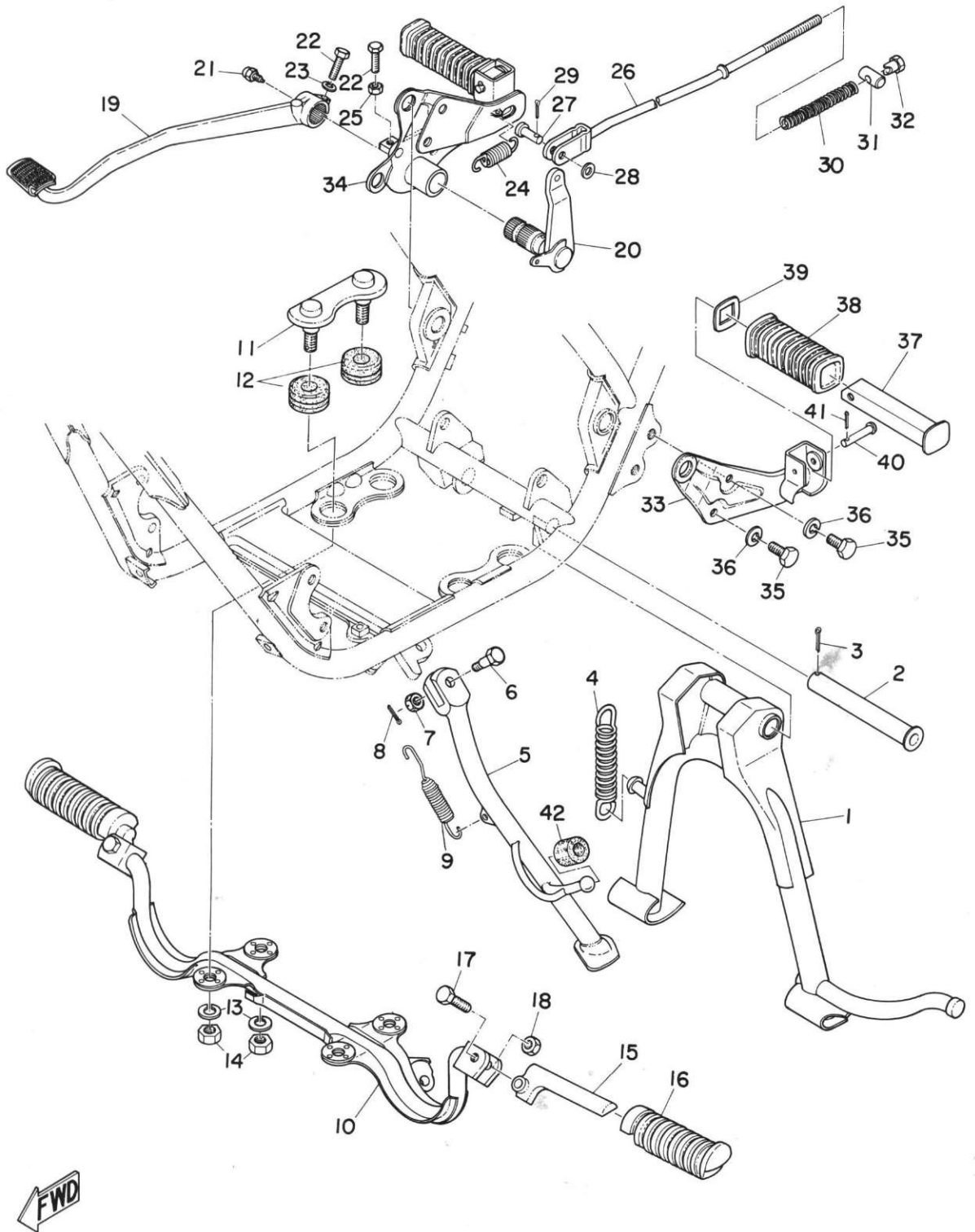


# REAR ARM · REAR CUSHION · CHAIN CASE

| Ref. No. | Part No.        | Description                               | Q'ty  |       | Applicable<br>Machine No. | Remarks |
|----------|-----------------|---|-------|-------|---------------------------|---------|
|          |                 |   | RD250 | RD350 |                           |         |
| 18- 1    | 278-22110-00-33 | REAR ARM COMP. ....                       | 1     | 1     |                           |         |
| 18- 2    | 156-22141-00    | SHAFT, pivot .....                        | 1     | 1     |                           |         |
| 18- 3    | 150-22126-00    | COLLAR, distance .....                    | 1     | 1     |                           |         |
| 18- 4    | 148-22123-00    | BUSHING, rear arm 1 .....                 | 2     | 2     |                           |         |
| 18- 5    | 150-22124-00    | BUSHING, rear arm 2 .....                 | 2     | 2     |                           |         |
| 18- 6    | 150-22128-00    | COVER, thrust .....                       | 2     | 2     |                           |         |
| 18- 7    | 240-22127-00    | SHIM, rear arm (26-34-0.1) ...            | U.R   | U.R   |                           |         |
| 18- 8    | 169-22143-00    | NUT, pivot shaft .....                    | 2     | 2     |                           |         |
| 18- 9    | 93700-06001     | NIPPLE, grease .....                      | 2     | 2     |                           |         |
| 18-10    | 278-22210-21    | REAR CUSHION ASS'Y .....                  | 2     | 2     |                           |         |
| 18-11    | 135-22243-00    | WASHER, rear cushion<br>(14.8-27-2) ..... | 2     | 2     |                           |         |
| 18-12    | 102-22243-00    | WASHER, rear cushion<br>(10-25-2) .....   | 4     | 4     |                           |         |
| 18-13    | 92803-10700     | NUT, crown .....                          | 4     | 4     |                           |         |
| 18-14    | 360-22311-00-93 | CASE, chain .....                         | 1     | 1     |                           |         |
| 18-15    | 278-22332-00    | DAMPER, chain case .....                  | 1     | 1     |                           |         |
| 18-16    | 256-21544-00    | COLLAR, fender mount .....                | 1     | 1     |                           |         |
| 18-17    | 278-22316-00    | WASHER, chain case .....                  | 1     | 1     |                           |         |
| 18-18    | 92501-06020     | SCREW, panhead .....                      | 1     | 1     |                           |         |
| 18-19    | 92503-06018     | SCREW, panhead .....                      | 1     | 1     |                           |         |
| 18-20    | 92901-06100     | WASHER, spring .....                      | 2     | 2     |                           |         |



Fig. 19 STAND · FOOTREST · BRAKE PEDAL



# STAND · FOOTREST · BRAKE PEDAL

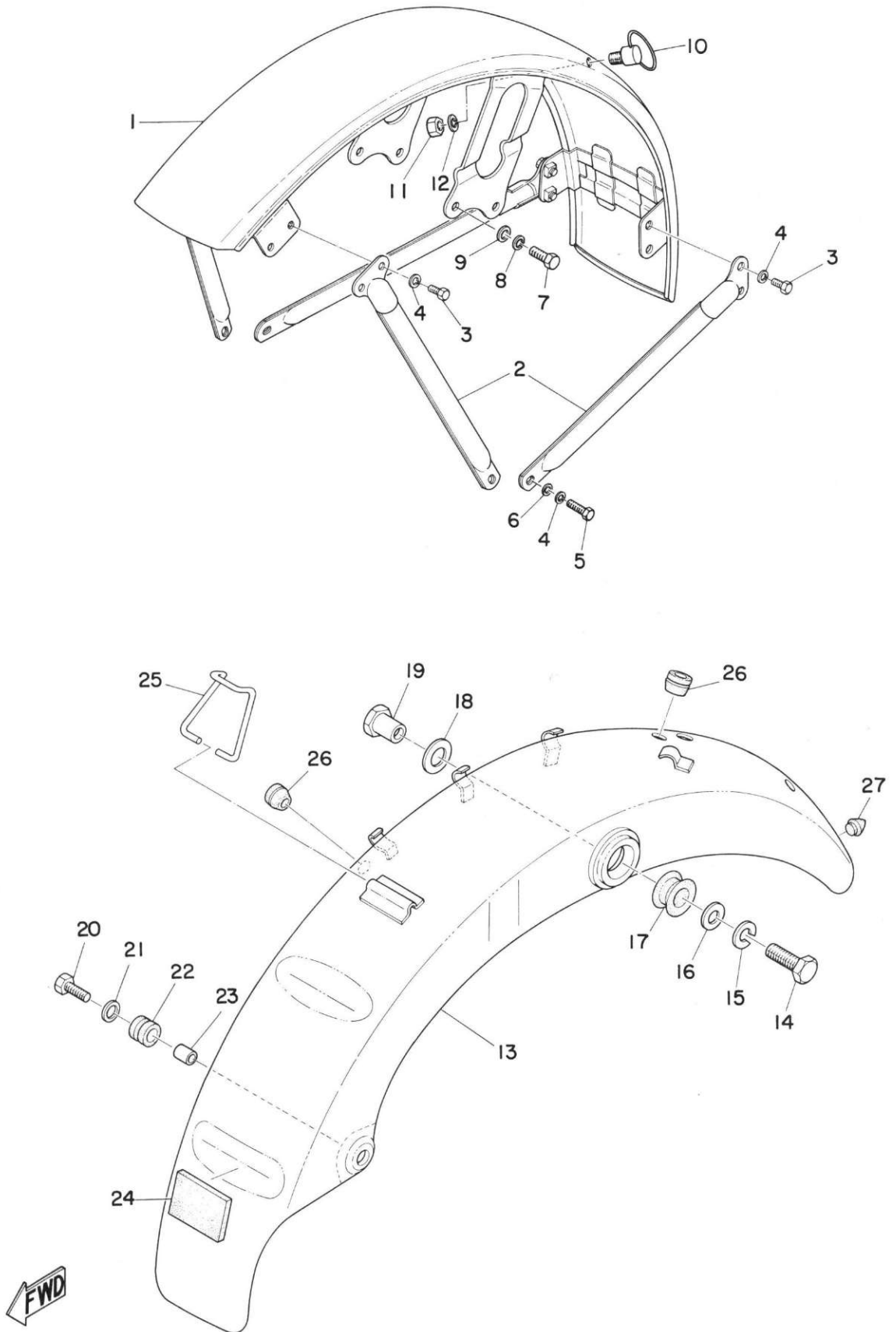
| Ref. No. | Part No.        | Description        | Q'ty  |       | Applicable<br>Machine No. | Remarks |
|----------|-----------------|--------------------|-------|-------|---------------------------|---------|
|          |                 |                    | RD250 | RD350 |                           |         |
| 19- 1    | 278-27111-00    | STAND, main        | 1     | 1     |                           |         |
| 19- 2    | 278-27112-00    | SHAFT, main stand  | 1     | 1     |                           |         |
| 19- 3    | 91401-30025     | PIN, cotter        | 1     | 1     |                           |         |
| 19- 4    | 278-27116-00    | SPRING, main stand | 1     | 1     |                           |         |
| 19- 5    | 278-27311-00    | STAND, side        | 1     | 1     |                           |         |
| 19- 6    | 278-27317-00    | BOLT, side stand   | 1     | 1     |                           |         |
| 19- 7    | 92801-10500     | NUT, slotted       | 1     | 1     |                           |         |
| 19- 8    | 91401-20025     | PIN, cotter        | 1     | 1     |                           |         |
| 19- 9    | 214-27316-00    | SPRING, side stand | 1     | 1     |                           |         |
| 19-10    | 278-27412-00    | FOOTREST           | 1     | 1     |                           |         |
| 19-11    | 278-27416-00    | BOLT, footrest     | 2     | 2     |                           |         |
| 19-12    | 278-27414-01    | DAMPER, footrest   | 4     | 4     |                           |         |
| 19-13    | 92901-10100     | WASHER, spring     | 4     | 4     |                           |         |
| 19-14    | 92801-10200     | NUT                | 4     | 4     |                           |         |
| 19-15    | 278-27451-00    | FOOTREST           | 2     | 2     |                           |         |
| 19-16    | 156-27413-00    | COVER, footrest    | 2     | 2     |                           |         |
| 19-17    | 172-27416-00    | BOLT, footrest     | 2     | 2     |                           |         |
| 19-18    | 98801-08300     | NUT                | 2     | 2     |                           |         |
| 19-19    | 278-27211-00-33 | PEDAL, brake       | 1     | 1     |                           |         |
| 19-20    | 278-27212-00    | SHAFT, brake       | 1     | 1     |                           |         |
| 19-21    | 93700-06001     | NIPPLE, grease     | 1     | 1     |                           |         |
| 19-22    | 91101-06025     | BOLT               | 2     | 2     |                           |         |
| 19-23    | 92901-06100     | WASHER, spring     | 1     | 1     |                           |         |
| 19-24    | 146-27216-00    | SPRING, return     | 1     | 1     |                           |         |



# STAND · FOOTREST · BRAKE PEDAL

| Ref. No. | Part No.     | Description                | Q'ty  |       | Applicable<br>Machine No. | Remarks |
|----------|--------------|----------------------------|-------|-------|---------------------------|---------|
|          |              |                            | RD250 | RD350 |                           |         |
| 19-25    | 98801-06300  | NUT .....                  | 1     | 1     |                           |         |
| 19-26    | 276-27231-00 | ROD, brake .....           | 1     | 1     |                           |         |
| 19-27    | 248-27228-00 | PIN, link joint .....      | 1     | 1     |                           |         |
| 19-28    | 92901-06200  | WASHER, plain .....        | 1     | 1     |                           |         |
| 19-29    | 91401-25012  | PIN, cotter .....          | 1     | 1     |                           |         |
| 19-30    | 180-27236-00 | SPRING, rod .....          | 1     | 1     |                           |         |
| 19-31    | 156-27237-00 | PIN, clevis .....          | 1     | 1     |                           |         |
| 19-32    | 206-27238-00 | NUT, adjusting .....       | 1     | 1     |                           |         |
| 19-33    | 278-21445-00 | STAY, muffler left .....   | 1     | 1     |                           |         |
| 19-34    | 278-21444-00 | STAY, muffler right .....  | 1     | 1     |                           |         |
| 19-35    | 97201-08020  | BOLT .....                 | 4     | 4     |                           |         |
| 19-36    | 92901-08100  | WASHER, spring .....       | 4     | 4     |                           |         |
| 19-37    | 168-27431-10 | FOOTREST, rear .....       | 2     | 2     |                           |         |
| 19-38    | 168-27433-10 | COVER, rear footrest ..... | 2     | 2     |                           |         |
| 19-39    | 168-27437-10 | WASHER, special .....      | 2     | 2     |                           |         |
| 19-40    | 91501-06035  | PIN, clevis .....          | 2     | 2     |                           |         |
| 19-41    | 91401-16012  | PIN, cotter .....          | 2     | 2     |                           |         |
| 19-42    | 278-27314-00 | STOPPER, side stand .....  | 1     | 1     |                           |         |

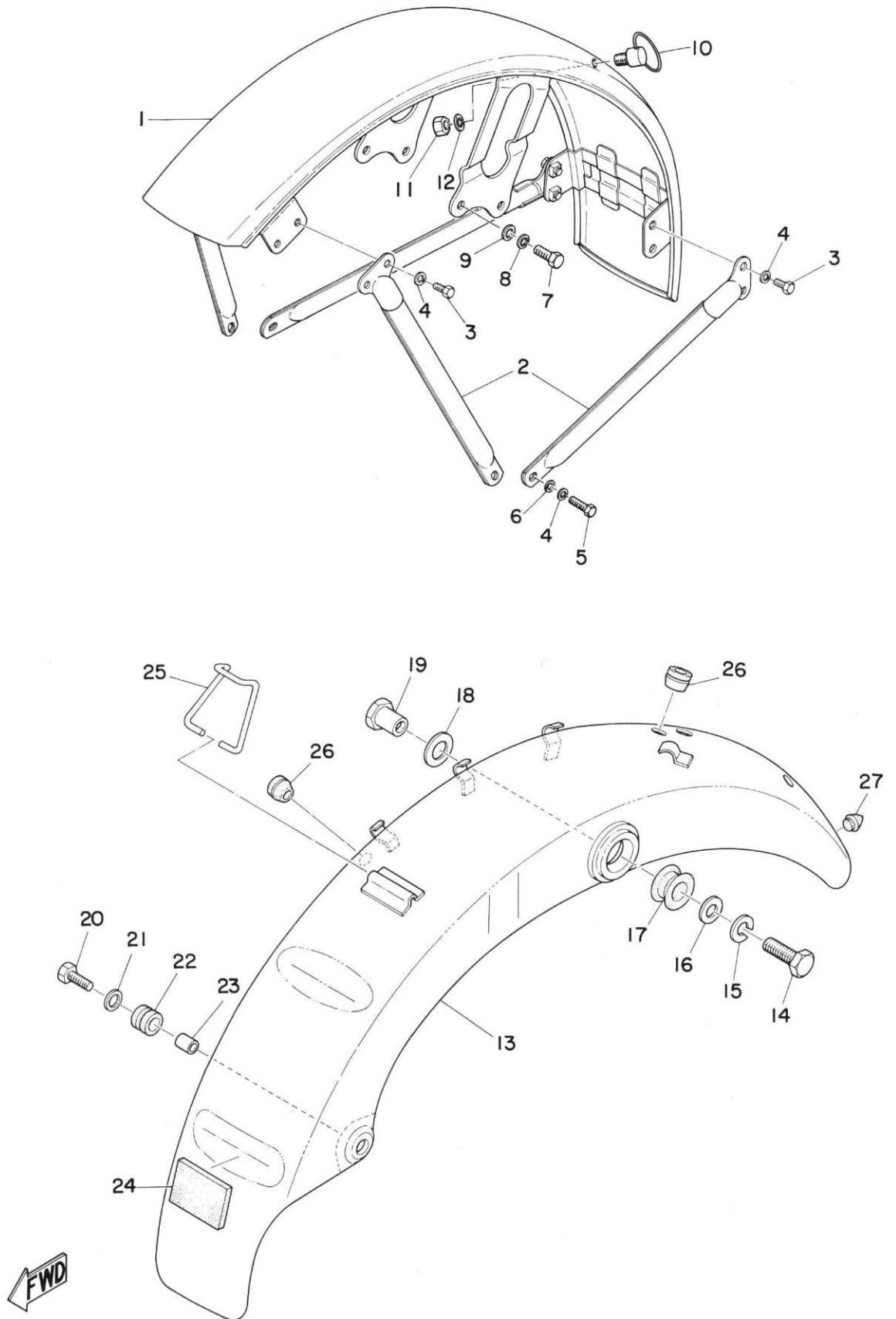
Fig. 20 FRONT FENDER · REAR FENDER



# FRONT FENDER · REAR FENDER

| Ref. No. | Part No.        | Description                                | Q'ty  |       | Applicable<br>Machine No. | Remarks |
|----------|-----------------|--|-------|-------|---------------------------|---------|
|          |                 |  | RD250 | RD350 |                           |         |
| 20- 1    | 351-21510-00-93 | FRONT FENDER COMP. ....                    | 1     | 1     |                           |         |
| 20- 2    | 351-21513-00    | STAY, fender .....                         | 4     | 4     |                           |         |
| 20- 3    | 91103-06012     | BOLT .....                                 | 8     | 8     |                           |         |
| 20- 4    | 92903-06100     | WASHER, spring .....                       | 12    | 12    |                           |         |
| 20- 5    | 91103-06015     | BOLT .....                                 | 4     | 4     |                           |         |
| 20- 6    | 92903-06200     | WASHER, plain .....                        | 4     | 4     |                           |         |
| 20- 7    | 97101-08018     | BOLT .....                                 | 4     | 4     |                           |         |
| 20- 8    | 92901-08100     | WASHER, spring .....                       | 4     | 4     |                           |         |
| 20- 9    | 92901-08200     | WASHER, plain .....                        | 4     | 4     |                           |         |
| 20-10    | 174-21518-00-93 | HOLDER, wire .....                         | 1     | 1     |                           |         |
| 20-11    | 98801-06100     | NUT .....                                  | 1     | 1     |                           |         |
| 20-12    | 92901-06100     | WASHER, spring .....                       | 1     | 1     |                           |         |
| 20-13    | 351-21610-00-93 | REAR FENDER COMP. ....                     | 1     | 1     |                           |         |
| 20-14    | 91201-10035     | BOLT .....                                 | 2     | 2     |                           |         |
| 20-15    | 92901-10100     | WASHER, spring .....                       | 2     | 2     |                           |         |
| 20-16    | 92901-10200     | WASHER, plain .....                        | 2     | 2     |                           |         |
| 20-17    | 168-21639-00    | DAMPER, rear .....                         | 2     | 2     |                           |         |
| 20-18    | 168-21615-00    | WASHER, special (8-16-1) ....              | 2     | 2     |                           |         |
| 20-19    | 168-21635-00    | NUT, rear fender .....                     | 2     | 2     |                           |         |
| 20-20    | 91101-06020     | BOLT .....                                 | 2     | 2     |                           |         |
| 20-21    | 116-28324-00    | WASHER, leg shield 2<br>(6.5-20-1.6) ..... | 2     | 2     |                           |         |
| 20-22    | 214-21717-00    | DAMPER, battery box .....                  | 2     | 2     |                           |         |
| 20-23    | 214-21633-00    | COLLAR, fender mount .....                 | 2     | 2     |                           |         |

Fig. 20 FRONT FENDER · REAR FENDER

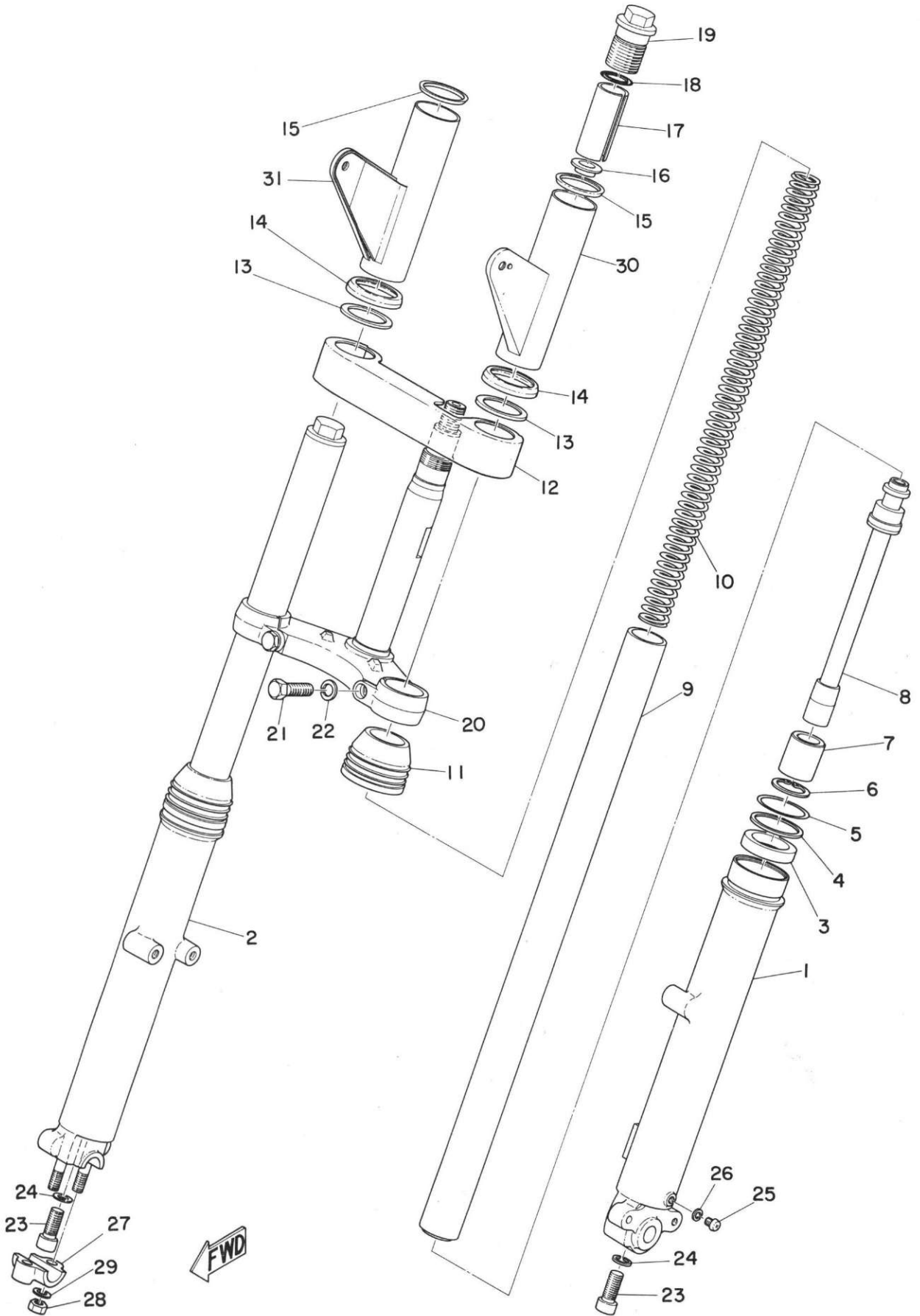


# FRONT FENDER · REAR FENDER

| Ref. No. | Part No.     | Description          | Q'ty    |       | Applicable<br>Machine No. | Remarks |
|----------|--------------|----------------------|---------|-------|---------------------------|---------|
|          |              |                      | RD250   | RD350 |                           |         |
| 20-24    | 214-21268-00 | SEAL, battery box    | ..... 1 | 1     |                           |         |
| 20-25    | 278-21336-00 | CLAMP, harness       | ..... 1 | 1     |                           |         |
| 20-26    | 152-84518-00 | GROMMET, tail lamp   | ..... 2 | 2     |                           |         |
| 20-27    | 170-21746-00 | DAMPER, cleaner stop | ..... 1 | 1     |                           |         |



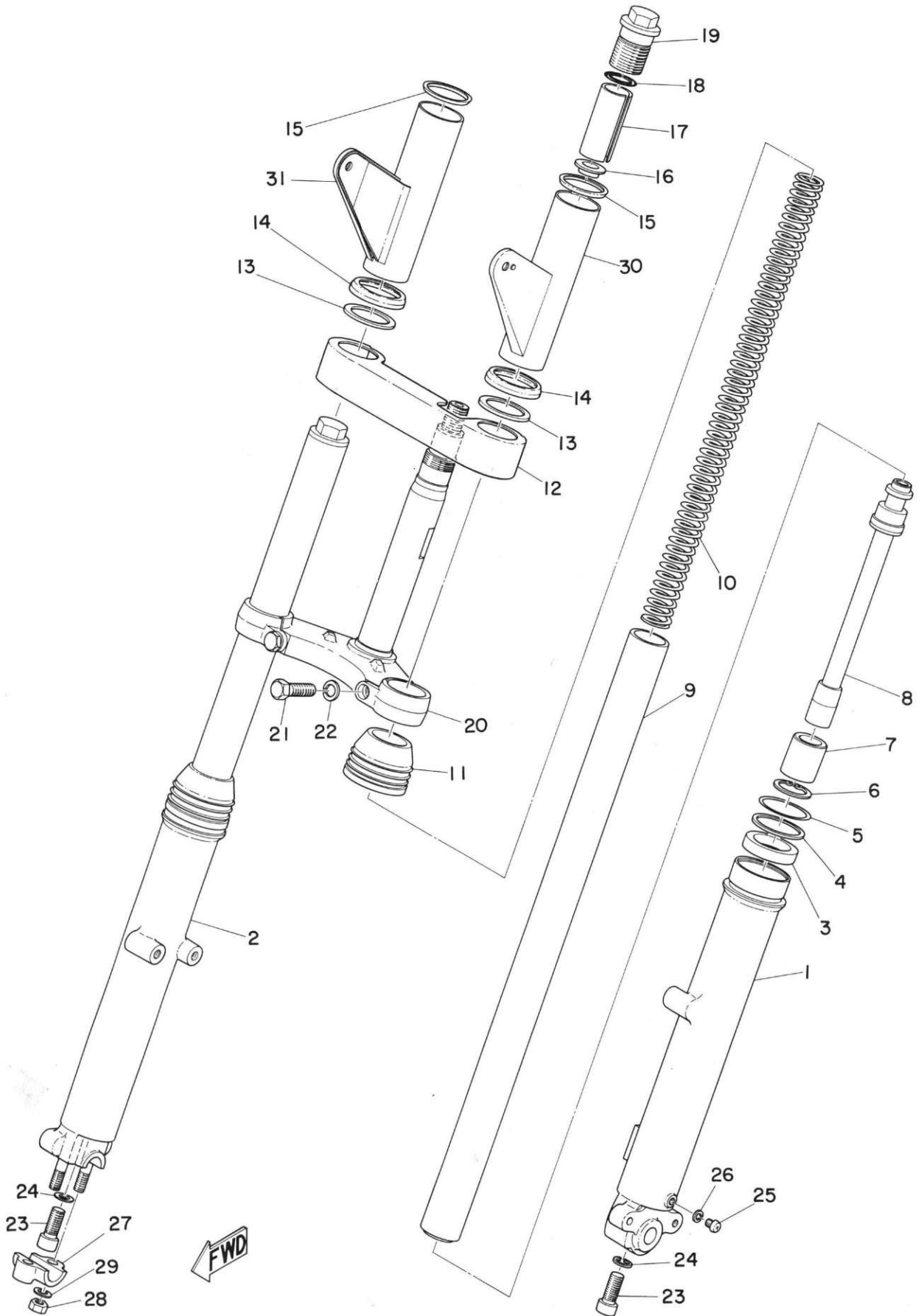
Fig. 21 FRONT FORK (RD250)



# FRONT FORK (RD250)

| Ref. No. | Part No.        | Description          | Q'ty<br>RD250 RD350 | Applicable<br>Machine No. | Remarks      |
|----------|-----------------|----------------------|---------------------|---------------------------|--------------|
| 21- 0-1  | 361-23101-50    | FRONT FORK ASS'Y     | 1                   |                           |              |
| 21- 1    | 361-23126-50    | . TUBE, outer left   | 1                   |                           |              |
| 21- 2    | 361-23136-50    | . TUBE, outer right  | 1                   |                           |              |
| 21- 3    | 278-23145-50    | . . OIL SEAL         | 2                   |                           |              |
| 21- 4    | 214-23146-00    | . . WASHER           | 2                   |                           |              |
| 21- 5    | 214-23156-00    | . . RING, snap       | 2                   |                           |              |
| 21- 6    | 93420-28025     | . CIRCLIP (R-28)     | 2                   |                           |              |
| 21- 7    | 278-23171-50    | . PISTON, front fork | 2                   |                           |              |
| 21- 8    | 278-23170-50    | . CYLINDER COMP.     | 2                   |                           |              |
| 21- 9    | 351-23124-50    | . TUBE, inner        | 2                   |                           |              |
| 21-10    | 278-23141-50    | . SPRING, fork       | 2                   |                           |              |
| 21-11    | 278-23144-50    | . SEAL, dust         | 2                   |                           |              |
| 21-12    | 361-23122-51    | . COVER, outer       | 1                   |                           |              |
| 21-13    | 291-23163-60    | . PACKING            | 2                   |                           |              |
| 21-14    | 278-23116-50    | . GUIDE, cover under | 2                   |                           |              |
| 21-15    | 321-23115-50    | . GUIDE, cover upper | 2                   |                           |              |
| 21-16    | 278-23142-50    | . SEAT, spring upper | 2                   |                           |              |
| 21-17    | 291-23118-60    | . SPACER             | 2                   |                           |              |
| 21-18    | 214-23114-00    | . PACKING            | 2                   |                           |              |
| 21-19    | 291-23111-60    | . BOLT, cap          | 2                   |                           |              |
| 21-20    | 361-23340-50-33 | . UNDERBRACKET COMP. | 1                   |                           | Yamaha Black |
| 21-21    | 278-23346-50    | . BOLT, underbracket | 2                   |                           |              |
| 21-22    | 92901-10100     | . WASHER, spring     | 2                   |                           |              |

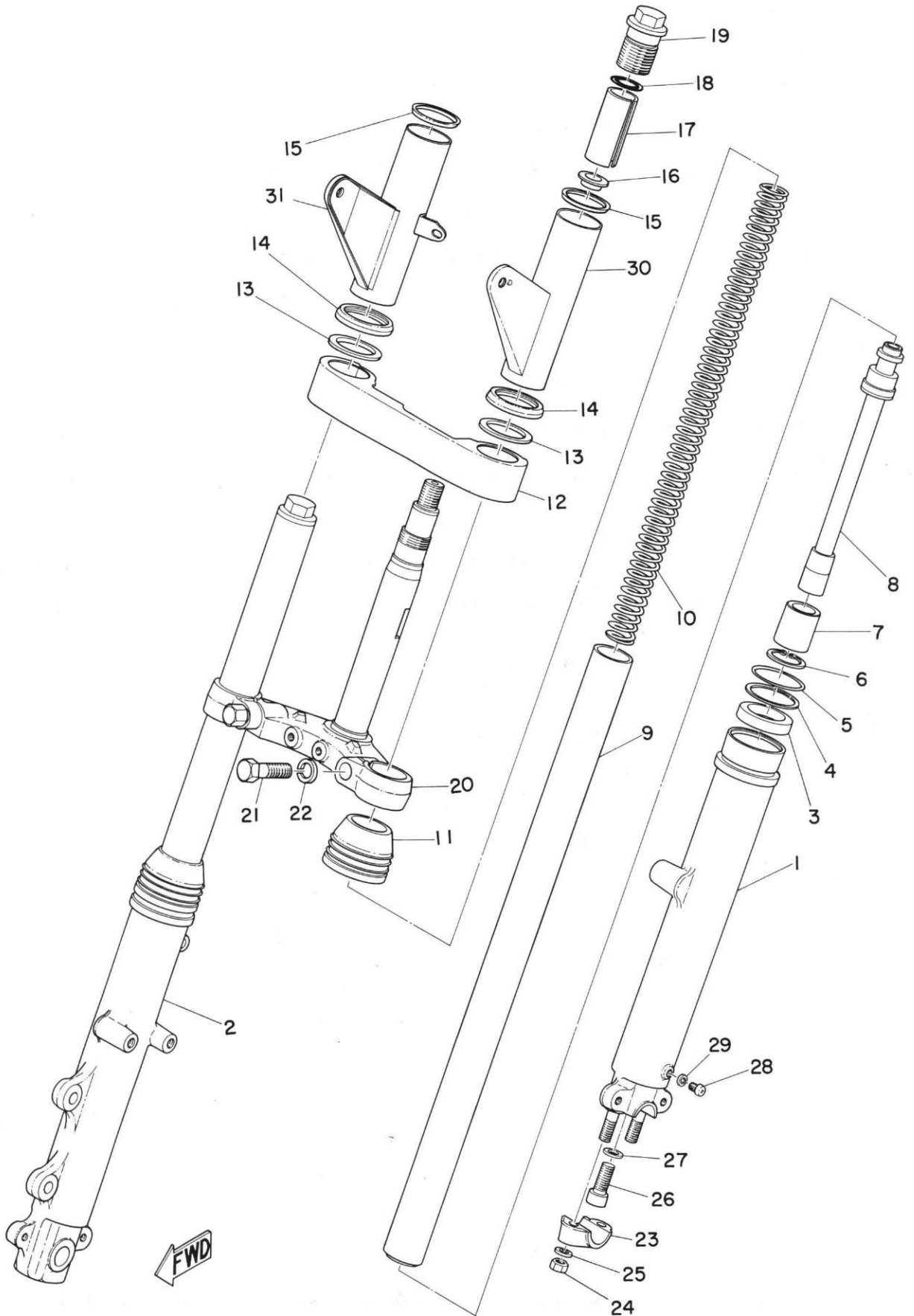
Fig. 21 FRONT FORK (RD250)



# FRONT FORK (RD250)

| Ref. No. | Part No.        | Description                | Q'ty  |       | Applicable<br>Machine No. | Remarks        |
|----------|-----------------|----------------------------|-------|-------|---------------------------|----------------|
|          |                 |                            | RD250 | RD350 |                           |                |
| 21-23    | 278-23181-50    | . BOLT .....               | 2     |       |                           |                |
| 21-24    | 278-23158-50    | . PACKING .....            | 2     |       |                           |                |
| 21-25    | 122-23119-01    | . PLUG, drain .....        | 2     |       |                           |                |
| 21-26    | 122-23129-00    | . GASKET, drain plug ..... | 2     |       |                           |                |
| 21-27    | 278-23167-50    | . HOLDER, axle .....       | 1     |       |                           |                |
| 21-28    | 98801-08100     | . NUT .....                | 2     |       |                           |                |
| 21-29    | 92901-08100     | . WASHER, spring .....     | 2     |       |                           |                |
| 21-30    | 361-23121-50-F2 | COVER, upper left .....    | 1     |       |                           | Butterfly Blue |
|          | 361-23121-50-M2 | COVER, upper left .....    | 1     |       |                           | Gold Dust      |
| 21-31    | 361-23131-50-F2 | COVER, upper right .....   | 1     |       |                           | Butterfly Blue |
|          | 361-23131-50-M2 | COVER, upper right .....   | 1     |       |                           | Gold Dust      |

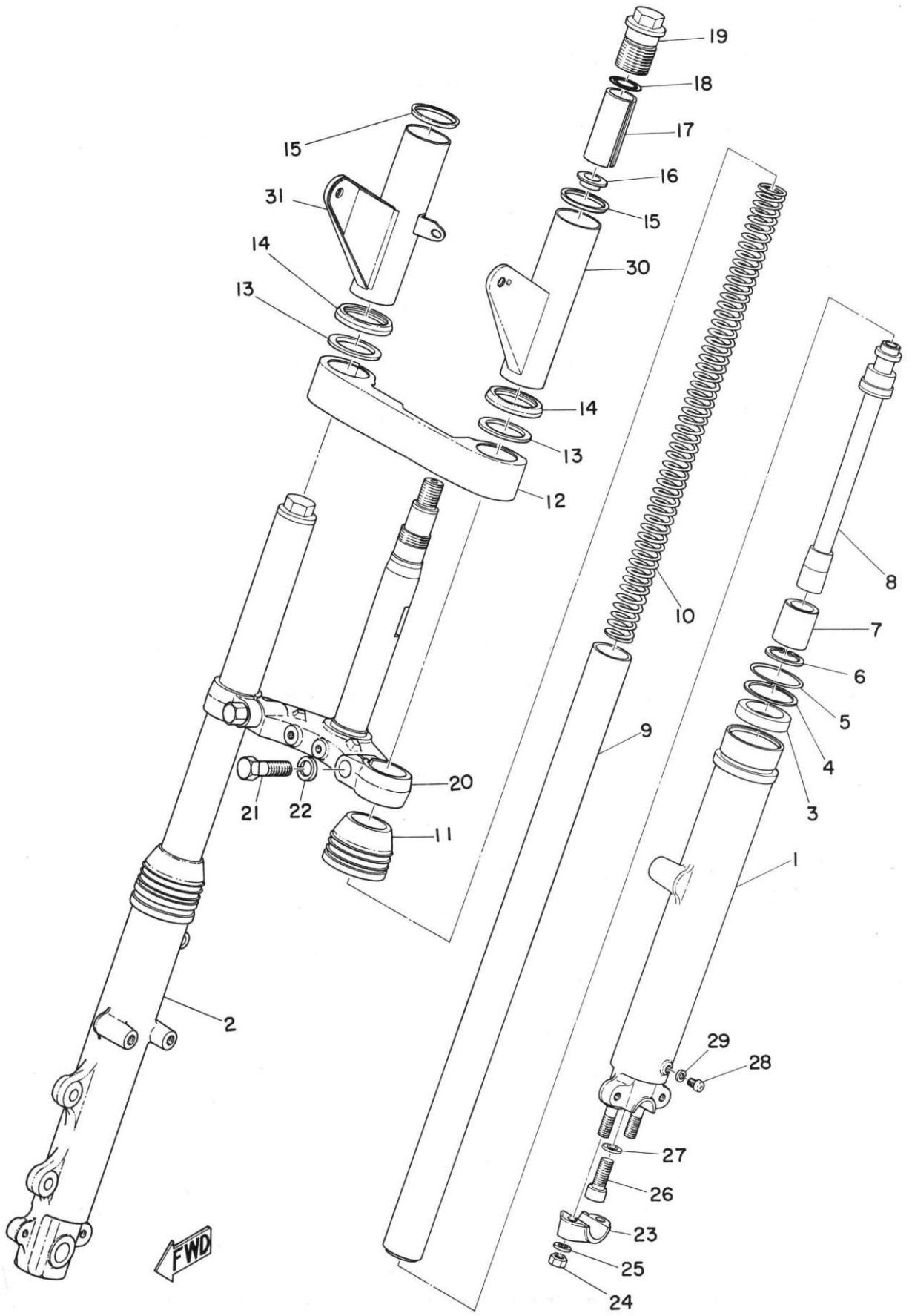
Fig. 22 FRONT FORK (RD350)



# FRONT FORK (RD350)

| Ref. No. | Part No.        | Description          | Q'ty  |       | Applicable<br>Machine No. | Remarks      |
|----------|-----------------|----------------------|-------|-------|---------------------------|--------------|
|          |                 |                      | RD250 | RD350 |                           |              |
| 22- 0-1  | 360-23101-50    | FRONT FORK ASS'Y     | ..... | 1     |                           |              |
| 22- 1    | 351-23126-50    | . TUBE, outer left   | ..... | 1     |                           |              |
| 22- 2    | 351-23136-50    | . TUBE, outer right  | ..... | 1     |                           |              |
| 22- 3    | 278-23145-50    | . . OIL SEAL         | ..... | 2     |                           |              |
| 22- 4    | 214-23146-00    | . . WASHER           | ..... | 2     |                           |              |
| 22- 5    | 214-23156-00    | . . RING, snap       | ..... | 2     |                           |              |
| 22- 6    | 93420-28025     | . CIRCLIP (R-28)     | ..... | 2     |                           |              |
| 22- 7    | 278-23171-50    | . PISTON, front fork | ..... | 2     |                           |              |
| 22- 8    | 278-23170-50    | . CYLINDER COMP.     | ..... | 2     |                           |              |
| 22- 9    | 351-23124-50    | . TUBE, inner        | ..... | 2     |                           |              |
| 22-10    | 278-23141-50    | . SPRING, fork       | ..... | 2     |                           |              |
| 22-11    | 278-23144-50    | . SEAL, dust         | ..... | 2     |                           |              |
| 22-12    | 360-23122-51    | . COVER, outer       | ..... | 1     |                           |              |
| 22-13    | 291-23163-60    | . PACKING            | ..... | 2     |                           |              |
| 22-14    | 278-23116-50    | . GUIDE, cover under | ..... | 2     |                           |              |
| 22-15    | 321-23115-50    | . GUIDE, cover upper | ..... | 2     |                           |              |
| 22-16    | 278-23142-50    | . SEAT, spring upper | ..... | 2     |                           |              |
| 22-17    | 291-23118-60    | . SPACER             | ..... | 2     |                           |              |
| 22-18    | 214-23114-00    | . PACKING            | ..... | 2     |                           |              |
| 22-19    | 291-23111-60    | . BOLT, cap          | ..... | 2     |                           |              |
| 22-20    | 360-23340-50-33 | . UNDERBRACKET COMP. | ....  | 1     |                           | Yamaha Black |
| 22-21    | 306-23346-60    | . BOLT, underbracket | ..... | 2     |                           |              |
| 22-22    | 92901-12100     | . WASHER, spring     | ..... | 2     |                           |              |

Fig. 22 FRONT FORK (RD350)

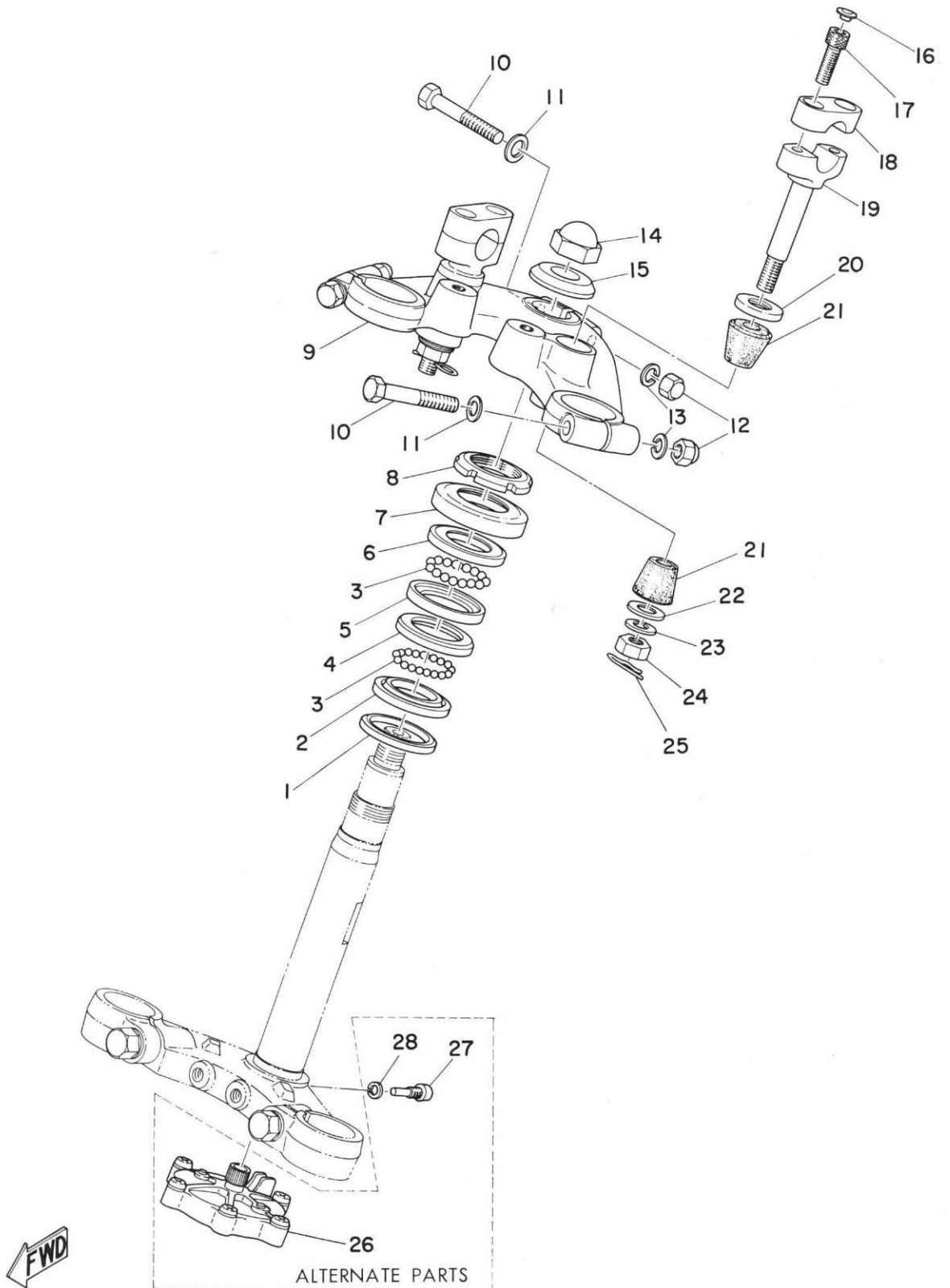


# FRONT FORK(RD350)

| Ref. No. | Part No.        | Description                | Q'ty  |       | Applicable<br>Machine No. | Remarks           |
|----------|-----------------|----------------------------|-------|-------|---------------------------|-------------------|
|          |                 |                            | RD250 | RD350 |                           |                   |
| 22-23    | 306-23167-60    | . HOLDER, axle .....       |       | 1     |                           |                   |
| 22-24    | 98801-08100     | . NUT .....                |       | 2     |                           |                   |
| 22-25    | 92901-08100     | . WASHER, spring .....     |       | 2     |                           |                   |
| 22-26    | 278-23181-50    | . BOLT .....               |       | 2     |                           |                   |
| 22-27    | 278-23158-50    | . PACKING .....            |       | 2     |                           |                   |
| 22-28    | 122-23119-01    | . PLUG, drain .....        |       | 2     |                           |                   |
| 22-29    | 122-23129-00    | . GASKET, drain plug ..... |       | 2     |                           |                   |
| 22-30    | 360-23121-50-A2 | COVER, upper left .....    |       | 1     |                           | Brandy Red        |
|          | 360-23121-50-K1 | COVER, upper left .....    |       | 1     |                           | Competition Green |
| 22-31    | 360-23131-50-A2 | COVER, upper right .....   |       | 1     |                           | Brandy Red        |
|          | 360-23131-50-K1 | COVER, upper right .....   |       | 1     |                           | Competition Green |



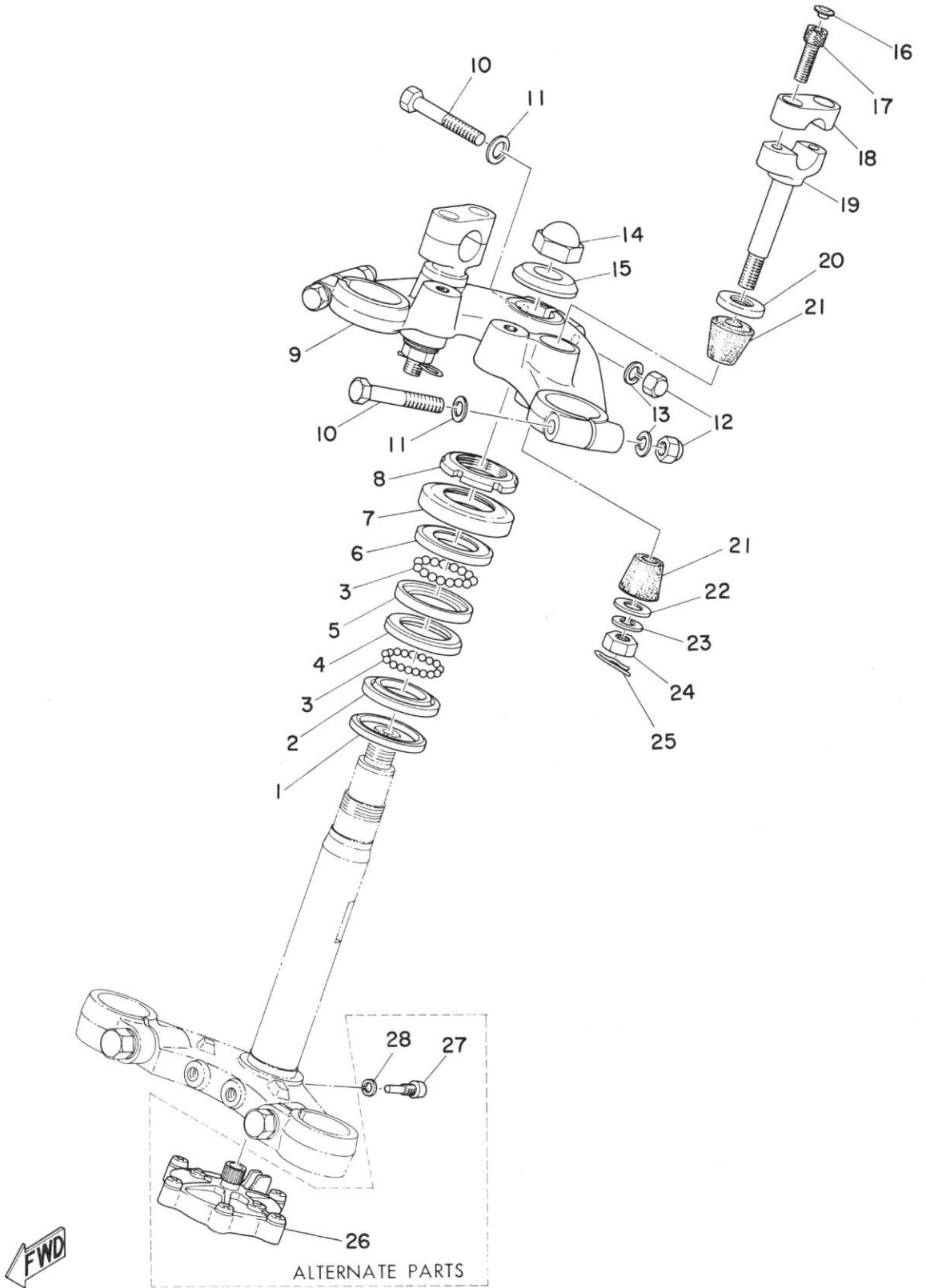
Fig. 23 STEERING



# STEERING

| Ref. No. | Part No.        | Description                     | Q'ty  |       | Applicable<br>Machine No. | Remarks |
|----------|-----------------|---------------------------------|-------|-------|---------------------------|---------|
|          |                 |                                 | RD250 | RD350 |                           |         |
| 23- 1    | 164-23462-00    | SEAL, dust .....                | 1     | 1     |                           |         |
| 23- 2    | 156-23411-00    | RACE, ball 1 .....              | 1     | 1     |                           |         |
| 23- 3    | 93501-04011     | BALL (1/4 inch) .....           | 38    | 38    |                           |         |
| 23- 4    | 156-23412-00    | RACE, ball 2 .....              | 1     | 1     |                           |         |
| 23- 5    | 183-23412-00    | RACE, ball 2 .....              | 1     | 1     |                           |         |
| 23- 6    | 183-23411-00    | RACE, ball 1 .....              | 1     | 1     |                           |         |
| 23- 7    | 136-23415-00    | COVER, ball race .....          | 1     | 1     |                           |         |
| 23- 8    | 137-23454-00    | NUT, fitting .....              | 1     | 1     |                           |         |
| 23- 9    | 361-23435-00-98 | CROWN, handle .....             | 1     |       |                           |         |
|          | 360-23435-00-98 | CROWN, handle .....             |       | 1     |                           |         |
| 23-10    | 97203-08055     | BOLT .....                      | 3     | 3     |                           |         |
| 23-11    | 156-27226-00    | WASHER, pedal link (8.2-13-0.6) | 3     | 3     |                           |         |
| 23-12    | 98803-08700     | NUT, crown .....                | 3     | 3     |                           |         |
| 23-13    | 92901-08100     | WASHER, spring .....            | 3     | 3     |                           |         |
| 23-14    | 92803-16700     | NUT, crown .....                | 1     | 1     |                           |         |
| 23-15    | 174-23443-00    | WASHER, crown .....             | 1     | 1     |                           |         |
| 23-16    | 341-23469-00    | CAP, bolt .....                 | 4     | 4     |                           |         |
| 23-17    | 360-23452-00    | BOLT, fitting .....             | 4     | 4     |                           |         |
| 23-18    | 360-23441-00-98 | HOLDER, handle upper .....      | 2     | 2     |                           |         |
| 23-19    | 256-23442-00-98 | HOLDER, handle under .....      | 2     | 2     |                           |         |
| 23-20    | 278-23448-00    | WASHER, special .....           | 2     | 2     |                           |         |
| 23-21    | 278-23434-00    | RUBBER, bush .....              | 4     | 4     |                           |         |
| 23-22    | 135-22244-00    | WASHER, special (10.5-25-2.0)   | 2     | 2     |                           |         |
| 23-23    | 92901-10100     | WASHER, spring .....            | 2     | 2     |                           |         |

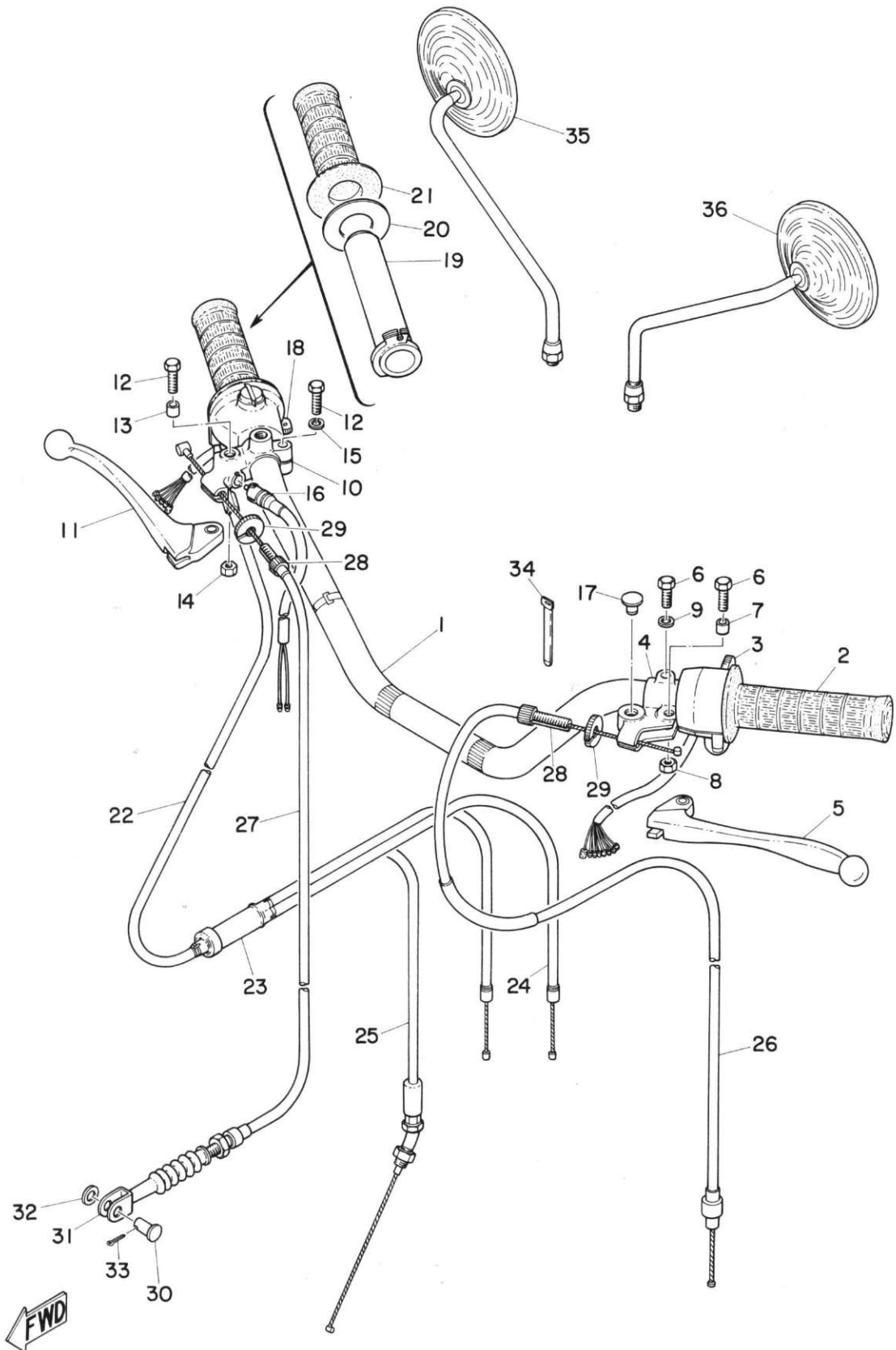
Fig. 23 STEERING



# STEERING

| Ref. No.               | Part No.     | Description             | Q'ty  |       | Applicable<br>Machine No. | Remarks |
|------------------------|--------------|-------------------------|-------|-------|---------------------------|---------|
|                        |              |                         | RD250 | RD350 |                           |         |
| 23-24                  | 92802-10300  | NUT .....               | 2     | 2     |                           |         |
| 23-25                  | 136-25375-00 | CLIP, tension bar ..... | 2     | 2     |                           |         |
| <b>ALTERNATE PARTS</b> |              |                         |       |       |                           |         |
| 23-26                  | 214-23490-00 | OIL DAMPER ASS'Y .....  | 1     | 1     |                           |         |
| 23-27                  | 214-23492-00 | BOLT .....              | 1     | 1     |                           |         |
| 23-28                  | 92901-06100  | WASHER, spring .....    | 1     | 1     |                           |         |

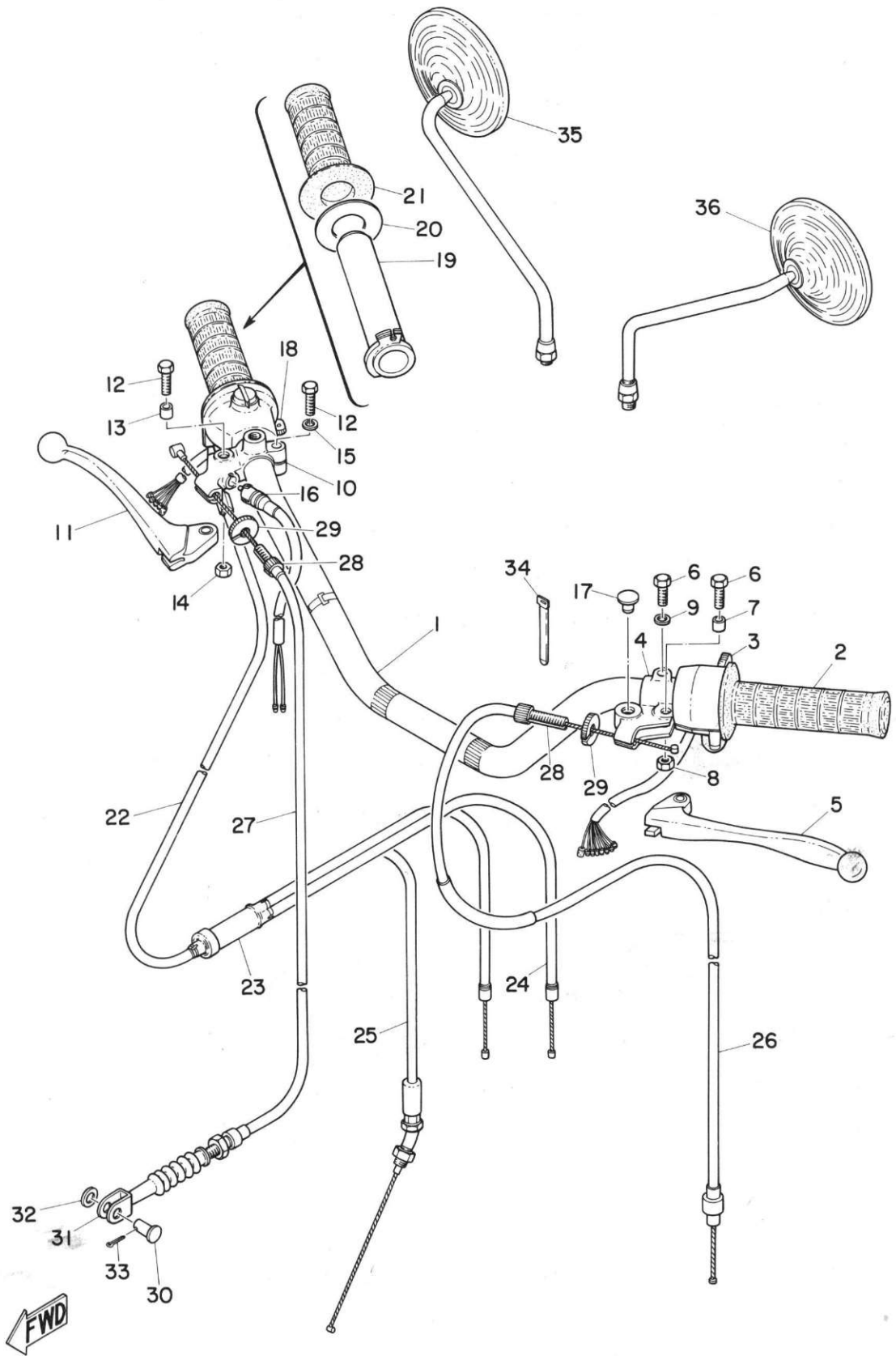
Fig. 24 HANDLE · WIRE



# HANDLE · WIRE

| Ref. No. | Part No.     | Description                  | Q'ty  |       | Applicable<br>Machine No. | Remarks |
|----------|--------------|------------------------------|-------|-------|---------------------------|---------|
|          |              |                              | RD250 | RD350 |                           |         |
| 24- 1    | 278-26111-00 | HANDLE .....                 | 1     | 1     |                           |         |
| 24- 2    | 235-26241-10 | GRIP, left .....             | 1     | 1     |                           |         |
| 24- 3    | 360-83972-01 | SWITCH, handle 4 .....       | 1     | 1     |                           |         |
| 24- 0-1  | 360-82910-00 | LEVER HOLDER ASS'Y, left ... | 1     | 1     |                           |         |
| 24- 4    | 341-82911-00 | . HOLDER, lever left .....   | 1     | 1     |                           |         |
| 24- 5    | 214-83912-00 | . LEVER, left .....          | 1     | 1     |                           |         |
| 24- 6    | 91203-06020  | . BOLT .....                 | 2     | 2     |                           |         |
| 24- 7    | 214-83913-00 | . COLLAR, lever .....        | 1     | 1     |                           |         |
| 24- 8    | 98801-06300  | . NUT .....                  | 1     | 1     |                           |         |
| 24- 9    | 92903-06100  | . WASHER, spring .....       | 1     | 1     |                           |         |
| 24- 0-2  | 361-82920-90 | LEVER HOLDER ASS'Y, right .. | 1     |       |                           |         |
| 24-10    | 361-82921-30 | . HOLDER, lever right .....  | 1     |       |                           |         |
| 24-11    | 233-83922-30 | . LEVER, right .....         | 1     |       |                           |         |
| 24-12    | 91203-06020  | . BOLT .....                 | 2     |       |                           |         |
| 24-13    | 214-83913-00 | . COLLAR, lever .....        | 1     |       |                           |         |
| 24-14    | 98801-06300  | . NUT .....                  | 1     |       |                           |         |
| 24-15    | 92901-06100  | . WASHER, spring .....       | 1     |       |                           |         |
| 24-16    | 361-83980-30 | FRONT STOP SWITCH ASS'Y ...  | 1     |       |                           |         |
| 24-17    | 341-26329-00 | PLUG, blind .....            | 1     | 1     |                           |         |
| 24-18    | 360-83975-01 | SWITCH, handle 2 .....       | 1     | 1     |                           |         |
| 24-19    | 214-26243-00 | TUBE, guide .....            | 1     | 1     |                           |         |
| 24-20    | 278-26249-00 | RING, leaf .....             | 1     | 1     |                           |         |
| 24-21    | 235-26242-10 | GRIP, right .....            | 1     | 1     |                           |         |

Fig. 24 HANDLE · WIRE

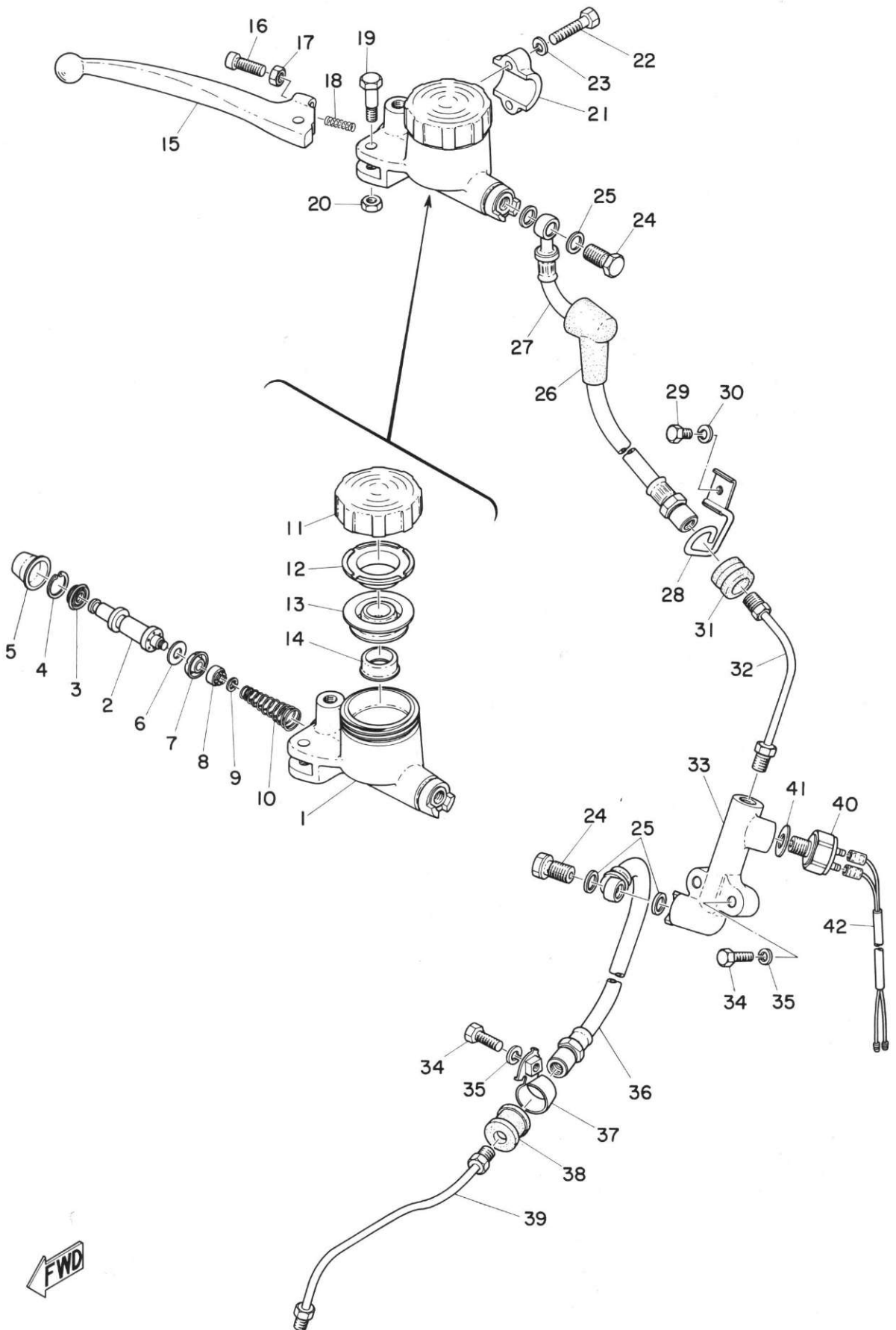


# HANDLE · WIRE

| Ref. No. | Part No.     | Description                     | Q'ty  |       | Applicable<br>Machine No. | Remarks                          |
|----------|--------------|---------------------------------|-------|-------|---------------------------|----------------------------------|
|          |              |                                 | RD250 | RD350 |                           |                                  |
| 24-22    | 360-26311-00 | WIRE, throttle 1                | 1     | 1     |                           |                                  |
| 24-23    | 360-26261-00 | CYLINDER, wire                  | 1     | 1     |                           |                                  |
| 24-24    | 360-26312-00 | WIRE, throttle 2                | 2     | 2     |                           |                                  |
| 24-25    | 360-26321-00 | WIRE, pump                      | 1     | 1     |                           |                                  |
| 24-26    | 360-26335-00 | WIRE, clutch                    | 1     | 1     |                           |                                  |
| 24-27    | 361-26341-00 | WIRE, brake front               | 1     |       |                           |                                  |
| 24-28    | 168-26337-00 | BOLT, wire adjusting A          | 2     | 1     |                           |                                  |
| 24-29    | 168-26344-00 | NUT, adjusting                  | 2     | 1     |                           |                                  |
| 24-30    | 156-27229-00 | PIN, link joint 2               | 1     |       |                           |                                  |
| 24-31    | 156-26347-00 | JOINT, wire                     | 1     |       |                           |                                  |
| 24-32    | 156-27226-00 | WASHER, pedal link (8.2-13-0.6) | 1     |       |                           |                                  |
| 24-33    | 91401-20012  | PIN, cotter                     | 1     |       |                           |                                  |
| 24-34    | 168-83936-01 | BAND, switch cord               | 4     | 4     |                           |                                  |
| 24-35    | 341-26290-01 | BACK MIRROR ASS'Y, right        | 1     | 1     |                           | Convex Mirror                    |
|          | 341-26290-40 | BACK MIRROR ASS'Y, right        | 1     | 1     |                           | Alternate Parts<br>Flat Mirror   |
| 24-36    | 341-26290-10 | BACK MIRROR ASS'Y, left         | 1     | 1     |                           | Alternate Parts<br>Convex Mirror |
|          | 341-26290-30 | BACK MIRROR ASS'Y, left         | 1     | 1     |                           | Alternate Parts<br>Flat Mirror   |



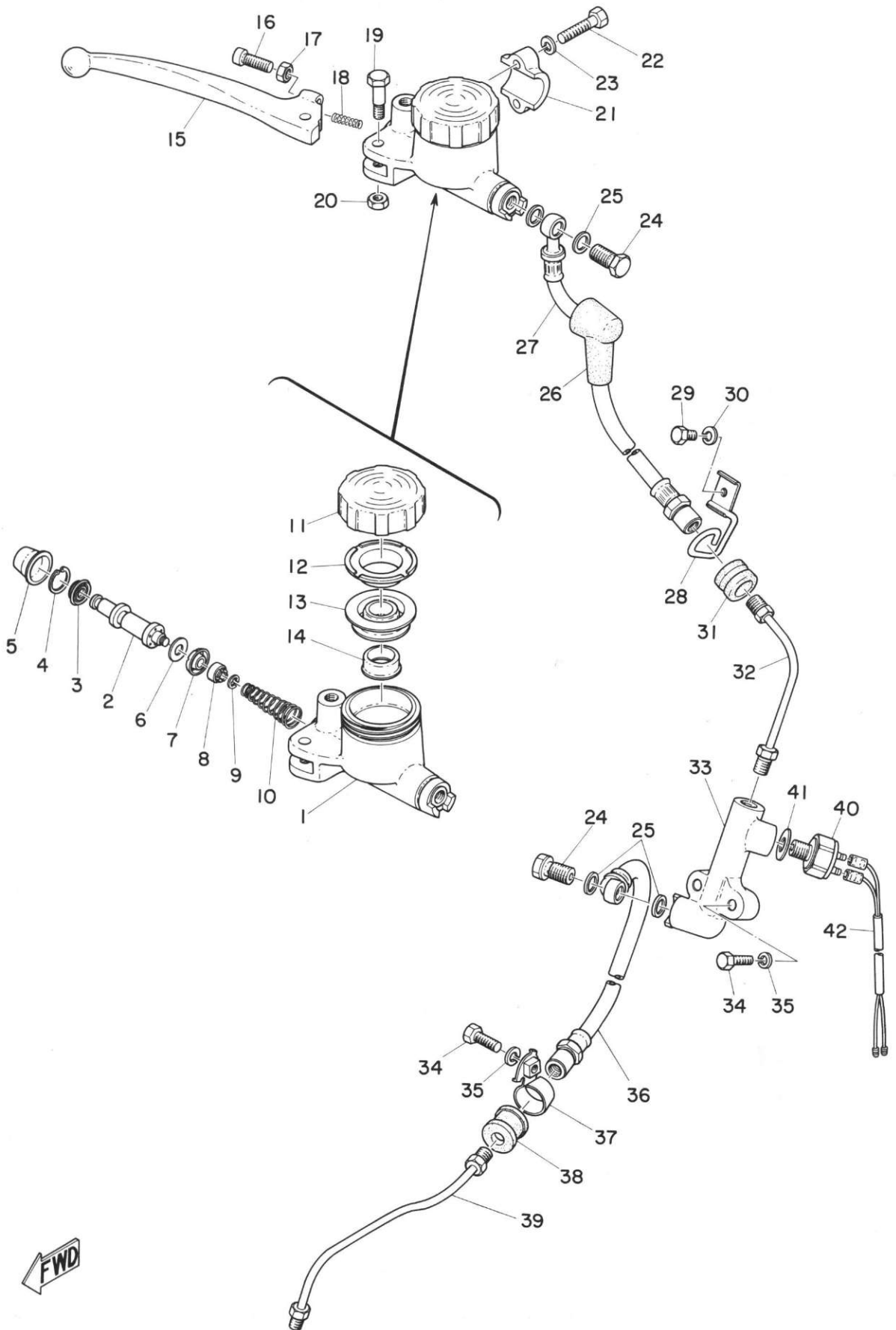
Fig. 25 MASTER CYLINDER · BRAKE HOSE (RD350)



# MASTER CYLINDER · BRAKE HOSE (RD350)

| Ref. No. | Part No.        | Description                    | Q'ty  |       | Applicable<br>Machine No. | Remarks |
|----------|-----------------|--------------------------------|-------|-------|---------------------------|---------|
|          |                 |                                | RD250 | RD350 |                           |         |
| 25- 0-1  | 360-25850-00    | MASTER CYLINDER ASS'Y ....     |       | 1     |                           |         |
| 25- 0-2  | 360-20000-10    | . CYLINDER KIT (Ref.No.2~10)   |       | 1     |                           |         |
| 25- 0-3  | 360-20000-20    | . CUP KIT (Ref.No.3~7 & 9) ... |       | 1     |                           |         |
| 25-11    | 360-25852-00    | . CAP, reserver .....          |       | 1     |                           |         |
| 25-12    | 360-25855-00    | . BUSHING diaphragm .....      |       | 1     |                           |         |
| 25-13    | 360-25854-00    | . DIAPHRAGM, reserver ....     |       | 1     |                           |         |
| 25-14    | 360-25853-00    | . FLOAT, reserver .....        |       | 1     |                           |         |
| 25-15    | 360-83922-00    | LEVER, right .....             |       | 1     |                           |         |
| 25-16    | 306-83928-01    | SCREW, adjusting .....         |       | 1     |                           |         |
| 25-17    | 306-83927-00    | NUT, adjusting .....           |       | 1     |                           |         |
| 25-18    | 306-83924-00    | SPRING, lever return .....     |       | 1     |                           |         |
| 25-19    | 341-83925-00    | SCREW, lever fitting .....     |       | 1     |                           |         |
| 25-20    | 98801-06300     | NUT .....                      |       | 1     |                           |         |
| 25-21    | 306-25867-00-98 | BRACKET, master .....          |       | 1     |                           |         |
| 25-22    | 91101-06025     | BOLT .....                     |       | 2     |                           |         |
| 25-23    | 92901-06100     | WASHER, spring .....           |       | 2     |                           |         |
| 25-24    | 306-25877-00    | BOLT, oil .....                |       | 2     |                           |         |
| 25-25    | 306-25878-00    | WASHER, oil bolt .....         |       | 4     |                           |         |
| 25-26    | 360-25862-00    | BOOT, master cylinder .....    |       | 1     |                           |         |
| 25-27    | 360-25872-00    | HOSE, brake 1 .....            |       | 1     |                           |         |
| 25-28    | 351-25887-01    | HOLDER, brake hose 3 .....     |       | 1     |                           |         |
| 25-29    | 91101-06012     | BOLT .....                     |       | 1     |                           |         |
| 25-30    | 92901-06100     | WASHER, spring .....           |       | 1     |                           |         |
| 25-31    | 341-25881-00    | RUBBER, brake hose .....       |       | 1     |                           |         |

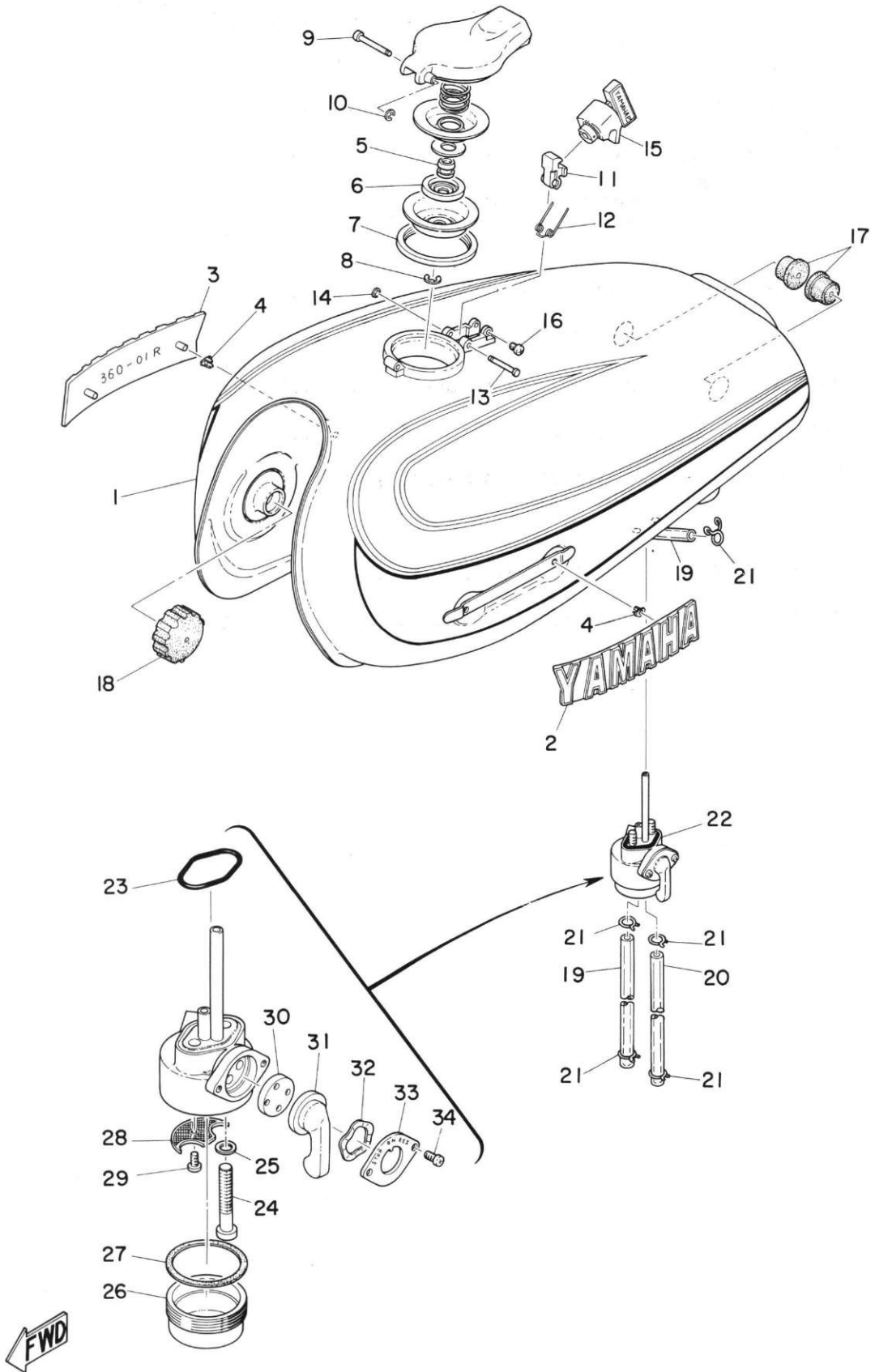
Fig. 25 MASTER CYLINDER · BRAKE HOSE (RD350)



# MASTER CYLINDER · BRAKE HOSE (RD350)

| Ref. No. | Part No.     | Description                 | Q'ty  |       | Applicable<br>Machine No. | Remarks |
|----------|--------------|-----------------------------|-------|-------|---------------------------|---------|
|          |              |                             | RD250 | RD350 |                           |         |
| 25-32    | 351-25883-01 | PIPE, brake 3 .....         |       | 1     |                           |         |
| 25-33    | 341-25885-03 | JOINT .....                 |       | 1     |                           |         |
| 25-34    | 91101-06025  | BOLT .....                  |       | 3     |                           |         |
| 25-35    | 92901-06100  | WASHER, spring .....        |       | 3     |                           |         |
| 25-36    | 351-25873-00 | HOSE, brake 2 .....         |       | 1     |                           |         |
| 25-37    | 306-25876-00 | HOLDER, brake hose 2 .....  |       | 1     |                           |         |
| 25-38    | 306-25881-00 | RUBBER, brake hose .....    |       | 1     |                           |         |
| 25-39    | 306-25871-00 | PIPE, brake 1 .....         |       | 1     |                           |         |
| 25-40    | 341-83980-30 | FRONT STOP SWITCH ASS'Y ... |       | 1     |                           |         |
| 25-41    | 341-83909-00 | WASHER, special .....       |       | 1     |                           |         |
| 25-42    | 351-82531-00 | WIRE, lead .....            |       | 1     |                           |         |

Fig. 26 FUEL TANK



# FUEL TANK

| Ref. No. | Part No.        | Description                  | Q'ty  |       | Applicable<br>Machine No. | Remarks           |
|----------|-----------------|------------------------------|-------|-------|---------------------------|-------------------|
|          |                 |                              | RD250 | RD350 |                           |                   |
| 26- 1    | 360-24110-11-04 | FUEL TANK COMP. ....         | 1     |       |                           | Butterfly Blue    |
|          | 360-24110-11-05 | FUEL TANK COMP. ....         | 1     |       |                           | Gold Dust         |
|          | 360-24110-11-01 | FUEL TANK COMP. ....         |       | 1     |                           | Brandy Red        |
|          | 360-24110-11-03 | FUEL TANK COMP. ....         |       | 1     |                           | Competition Green |
| 26- 2    | 360-24161-11    | EMBLEM, fuel tank left ....  | 1     | 1     |                           |                   |
| 26- 3    | 360-24162-11    | EMBLEM, fuel tank right .... | 1     | 1     |                           |                   |
| 26- 4    | 360-24143-00    | NUT .....                    | 4     | 4     |                           |                   |
| 26- 0-1  | 341-24653-00    | CAP ASS'Y .....              | 1     | 1     |                           |                   |
| 26- 5    | 308-24642-00    | . GASKET, CAP 2 .....        | 1     | 1     |                           |                   |
| 26- 6    | 308-24641-00    | . GASKET, CAP 1 .....        | 1     | 1     |                           |                   |
| 26- 7    | 341-24612-00    | . PACKING, CAP .....         | 1     | 1     |                           |                   |
| 26- 8    | 93430-06005     | . CIRCLIP (E-6) .....        | 1     | 1     |                           |                   |
| 26- 9    | 308-24623-00    | PIN 1 .....                  | 1     | 1     |                           |                   |
| 26-10    | 93430-02001     | CIRCLIP (E-2) .....          | 1     | 1     |                           |                   |
| 26-11    | 341-24628-00    | HOOK .....                   | 1     | 1     |                           |                   |
| 26-12    | 341-24637-00    | SPRING .....                 | 1     | 1     |                           |                   |
| 26-13    | 308-24624-00    | PIN 2 .....                  | 1     | 1     |                           |                   |
| 26-14    | 93430-02001     | CIRCLIP (E-2) .....          | 1     | 1     |                           |                   |
| 26-15    | 341-24602-01    | KEY COMP. ....               | 1     | 1     |                           |                   |
| 26-16    | 92501-04018     | SCREW, panhead .....         | 1     | 1     |                           |                   |
| 26-17    | 122-24182-01    | DAMPER, locating 2 .....     | 2     | 2     |                           |                   |
| 26-18    | 278-24181-00    | DAMPER, locating .....       | 2     | 2     |                           |                   |
| 26-19    | 168-24312-00    | PIPE, fuel (5-210) .....     | 2     | 2     |                           |                   |
| 26-20    | 174-24312-00    | PIPE, fuel (5-170) .....     | 1     | 1     |                           |                   |

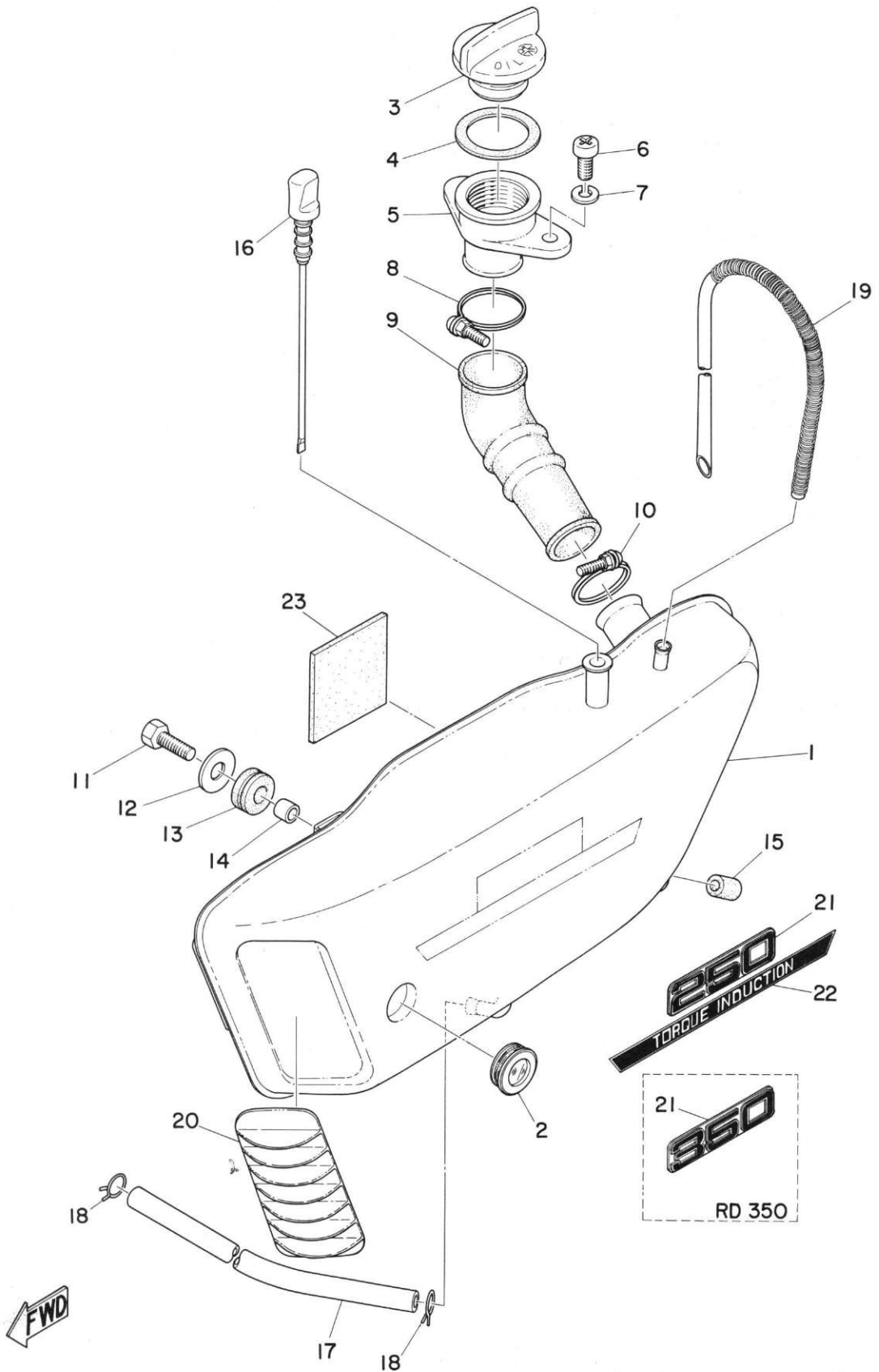


# FUEL TANK

| Ref. No. | Part No.     | Description                  | Q'ty  |       | Applicable<br>Machine No. | Remarks |
|----------|--------------|------------------------------|-------|-------|---------------------------|---------|
|          |              |                              | RD250 | RD350 |                           |         |
| 26-21    | 101-24356-00 | CLIP, pipe .....             | 6     | 6     |                           |         |
| 26-22    | 168-24500-01 | FUEL COCK ASS'Y .....        | 1     | 1     |                           |         |
| 26-23    | 168-24512-00 | . GASKET, body .....         | 1     | 1     |                           |         |
| 26-24    | 92501-06035  | . SCREW, panhead .....       | 2     | 2     |                           |         |
| 26-25    | 137-24513-00 | . GASKET, cock fitting ..... | 2     | 2     |                           |         |
| 26-26    | 168-24521-00 | . CUP, filter .....          | 1     | 1     |                           |         |
| 26-27    | 168-24522-00 | . GASKET, filter .....       | 1     | 1     |                           |         |
| 26-28    | 168-24515-00 | . NET, filter .....          | 1     | 1     |                           |         |
| 26-29    | 193-81145-20 | . SCREW, panhead .....       | 1     | 1     |                           |         |
| 26-30    | 137-24523-00 | . VALVE .....                | 1     | 1     |                           |         |
| 26-31    | 168-24524-00 | . LEVER, cock .....          | 1     | 1     |                           |         |
| 26-32    | 132-24518-00 | . WASHER, wave .....         | 1     | 1     |                           |         |
| 26-33    | 132-24525-00 | . PLATE, lever fitting ..... | 1     | 1     |                           |         |
| 26-34    | 193-81145-20 | . SCREW, panhead .....       | 2     | 2     |                           |         |



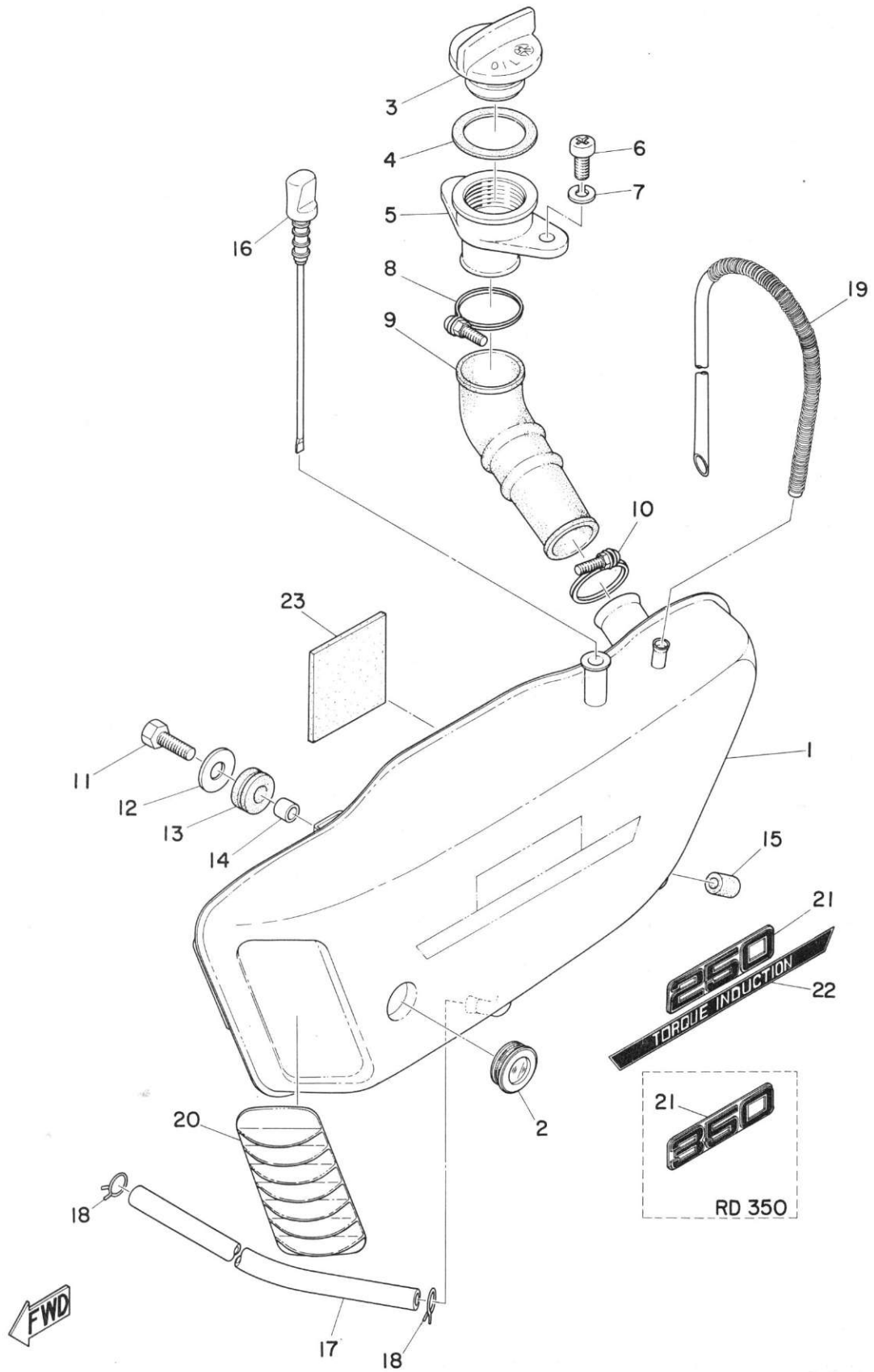
Fig. 27 OIL TANK



# OIL TANK

| Ref.No. | Part No.        | Description                        | Q'ty  |       | Applicable<br>Machine No. | Remarks           |
|---------|-----------------|------------------------------------|-------|-------|---------------------------|-------------------|
|         |                 |                                    | RD250 | RD350 |                           |                   |
| 27- 1   | 360-21705-00-F2 | OIL TANK ASS'Y                     | 1     |       |                           | Butterfly Blue    |
|         | 360-21705-00-M2 | OIL TANK ASS'Y                     | 1     |       |                           | Gold Dust         |
|         | 360-21705-00-A2 | OIL TANK ASS'Y                     |       | 1     |                           | Brandy Red        |
|         | 360-21705-00-K1 | OIL TANK ASS'Y                     |       | 1     |                           | Competition Green |
| 27- 2   | 360-21761-00    | . GAUGE, level                     | 1     | 1     |                           |                   |
| 27- 3   | 214-21771-00    | CAP, oil tank                      | 1     | 1     |                           |                   |
| 27- 4   | 214-21772-00    | GASKET, cap                        | 1     | 1     |                           |                   |
| 27- 5   | 360-21752-00    | TUBE, filler                       | 1     | 1     |                           |                   |
| 27- 6   | 92501-06020     | SCREW, panhead                     | 2     | 2     |                           |                   |
| 27- 7   | 92901-06100     | WASHER, spring                     | 2     | 2     |                           |                   |
| 27- 8   | 360-21765-00    | CLAMP, filler tube                 | 1     | 1     |                           |                   |
| 27- 9   | 360-21753-00    | TUBE, oil connector                | 1     | 1     |                           |                   |
| 27-10   | 360-21755-00    | CLAMP, filler tube                 | 1     | 1     |                           |                   |
| 27-11   | 91101-06020     | BOLT                               | 2     | 2     |                           |                   |
| 27-12   | 116-28324-00    | WASHER, leg shield<br>(6.5-20-1.6) | 2     | 2     |                           |                   |
| 27-13   | 214-21717-00    | DAMPER, battery box 1              | 2     | 2     |                           |                   |
| 27-14   | 214-21633-00    | COLLAR, fender mount               | 2     | 2     |                           |                   |
| 27-15   | 214-21779-00    | DAMPER, oil tank 2                 | 1     | 1     |                           |                   |
| 27-16   | 278-21792-00    | GAUGE, oil level                   | 1     | 1     |                           |                   |
| 27-17   | 278-21766-00    | PIPE, oil (5-700)                  | 1     | 1     |                           |                   |
| 27-18   | 101-24356-00    | CLIP, fuel pipe                    | 2     | 2     |                           |                   |
| 27-19   | 278-21745-00    | PIPE, oil tank breather            | 1     | 1     |                           |                   |
| 27-20   | 360-21781-00    | MOLD, left                         | 1     | 1     |                           |                   |

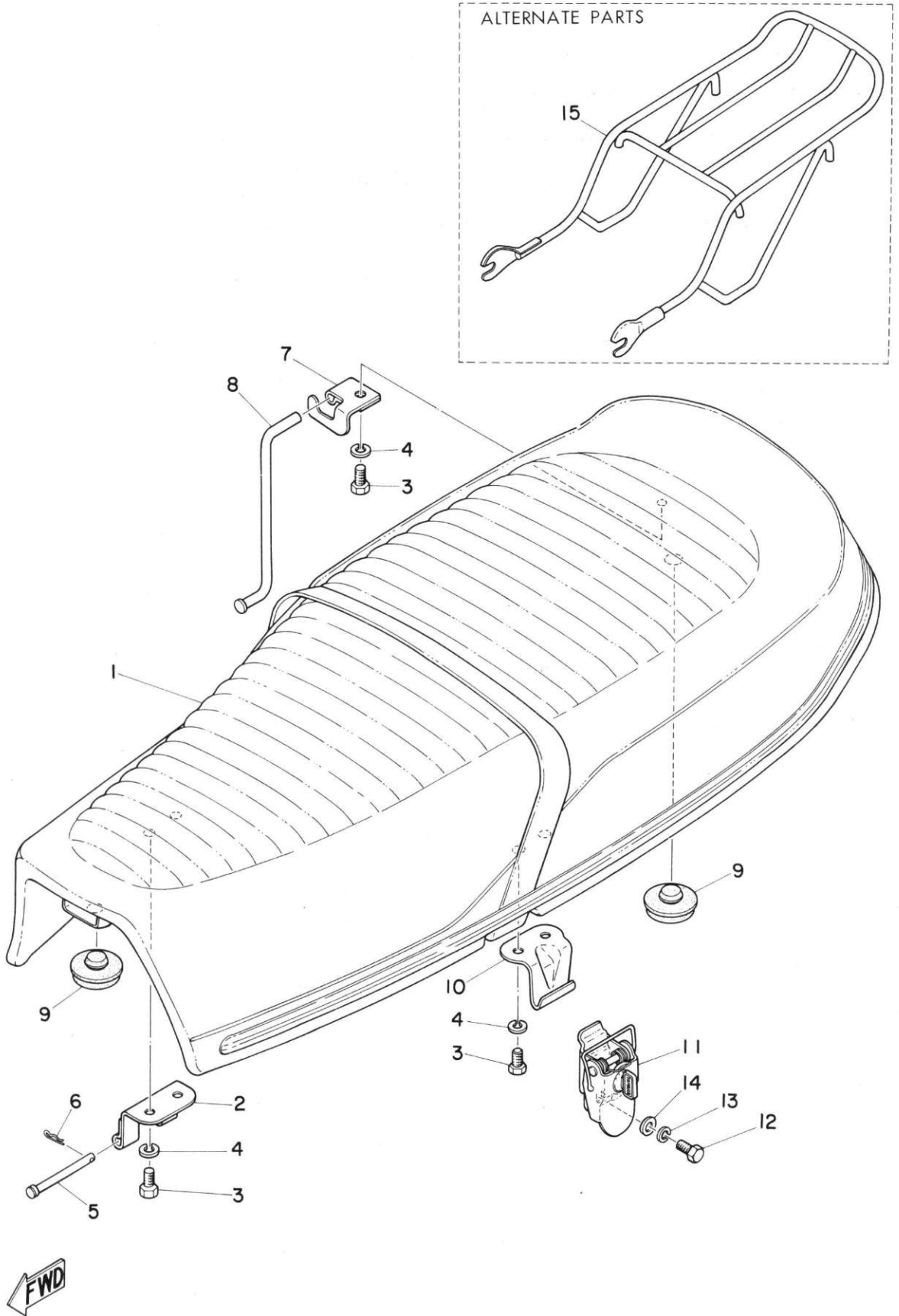
Fig. 27 OIL TANK



# OIL TANK

| Ref. No. | Part No.     | Description                  | Q'ty  |       | Applicable<br>Machine No. | Remarks |
|----------|--------------|------------------------------|-------|-------|---------------------------|---------|
|          |              |                              | RD250 | RD350 |                           |         |
| 27-21    | 361-21786-00 | EMBLEM 250 .....             | 1     |       |                           |         |
|          | 360-21786-00 | EMBLEM 350 .....             |       | 1     |                           |         |
| 27-22    | 360-21787-00 | EMBLEM, torque induction ... | 1     | 1     |                           |         |
| 27-23    | 214-21268-00 | SEAL, battery box .....      | 1     | 1     |                           |         |

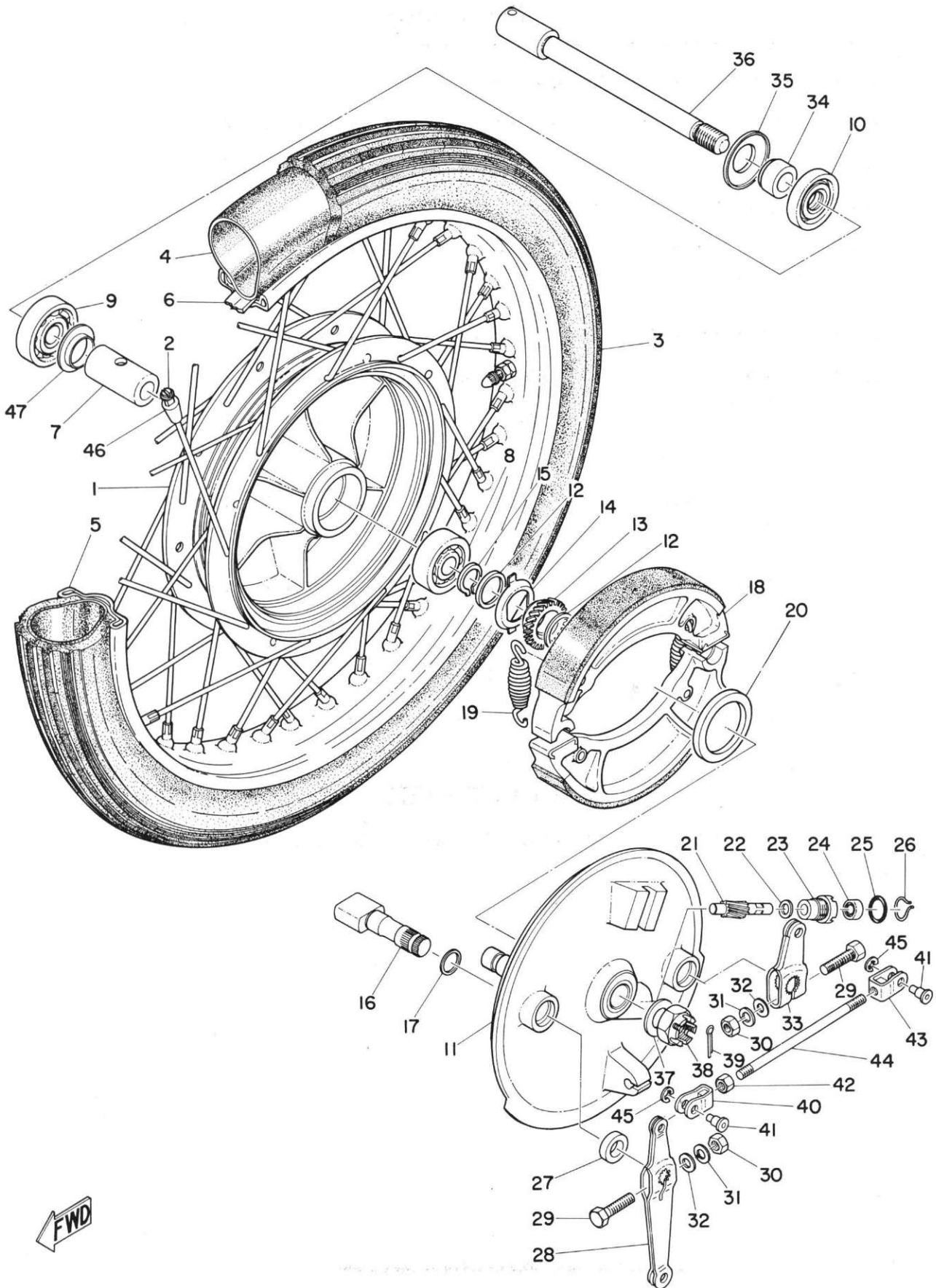
Fig. 28 SEAT



# SEAT

| Ref. No.               | Part No.        | Description           | Q'ty  |       | Applicable<br>Machine No. | Remarks |
|------------------------|-----------------|-----------------------|-------|-------|---------------------------|---------|
|                        |                 |                       | RD250 | RD350 |                           |         |
| 28- 1                  | 360-24730-10    | DOUBLE SEAT ASS'Y     | 1     | 1     |                           |         |
| 28- 2                  | 248-24726-00-33 | HINGE, seat           | 2     | 2     |                           |         |
| 28- 3                  | 91101-06012     | BOLT                  | 7     | 7     |                           |         |
| 28- 4                  | 92901-06100     | WASHER, spring        | 7     | 7     |                           |         |
| 28- 5                  | 91501-05055     | PIN, clevis           | 2     | 2     |                           |         |
| 28- 6                  | 156-83525-00    | CLIP                  | 2     | 2     |                           |         |
| 28- 7                  | 278-24748-00    | BRACKET, seat stopper | 1     | 1     |                           |         |
| 28- 8                  | 278-24768-01    | STOPPER, seat         | 1     | 1     |                           |         |
| 28- 9                  | 174-24741-00    | PAD, seat             | 4     | 4     |                           |         |
| 28-10                  | 278-24728-00    | BRACKET, seat         | 1     | 1     |                           |         |
| 28-11                  | 353-24705-01    | BRACKET SEAT ASS'Y    | 1     | 1     |                           |         |
| 28-12                  | 91201-06010     | BOLT                  | 1     | 1     |                           |         |
| 28-13                  | 92901-06100     | WASHER, spring        | 1     | 1     |                           |         |
| 28-14                  | 92901-06200     | WASHER, plain         | 1     | 1     |                           |         |
| <b>ALTERNATE PARTS</b> |                 |                       |       |       |                           |         |
| 28-15                  | 90890-55022     | SUB-CARRIER ASS'Y     | 1     | 1     |                           |         |

Fig. 29 FRONT WHEEL (RD250)

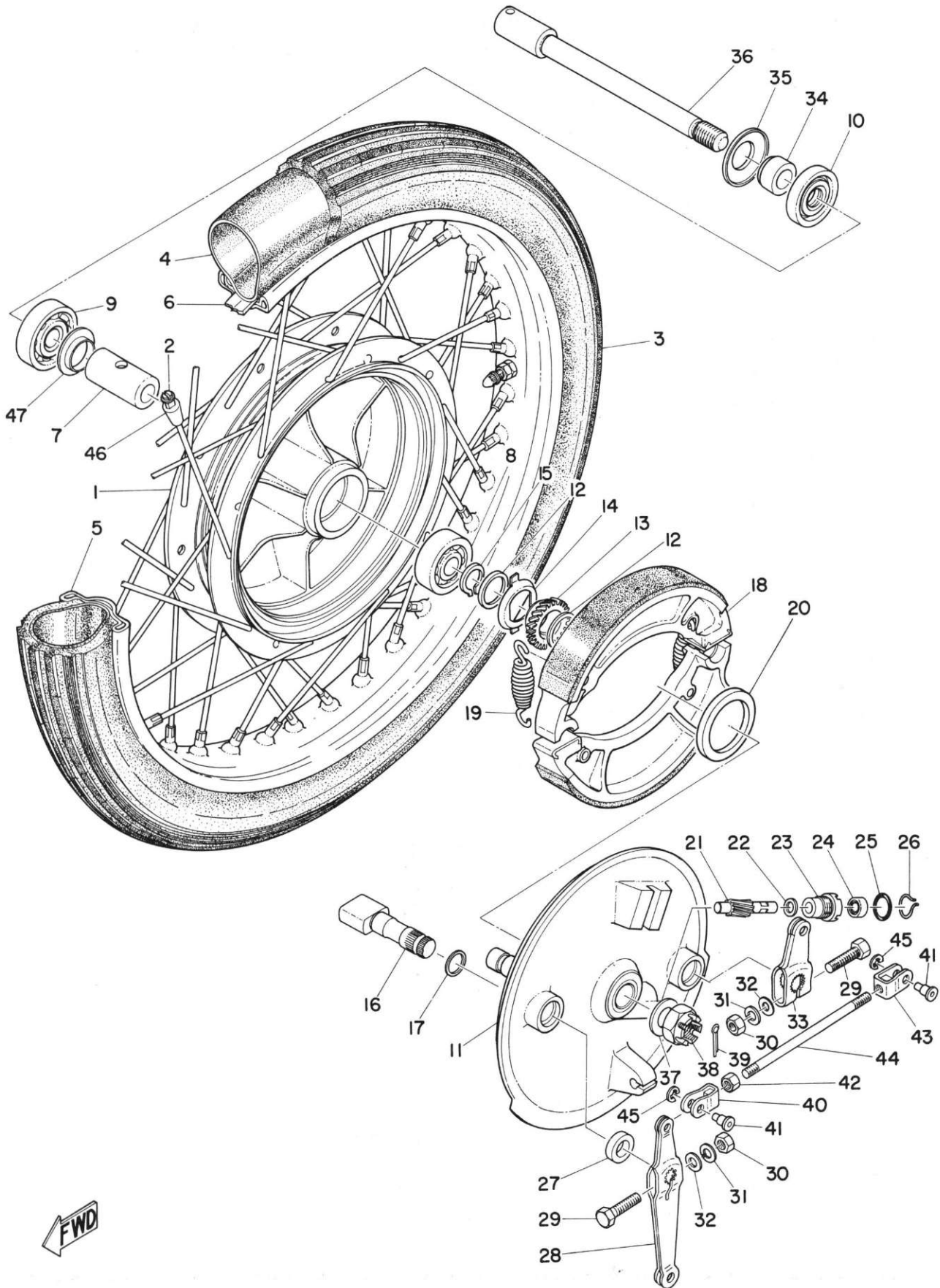


## FRONT WHEEL (RD250)

| Ref. No. | Part No.     | Description                      | Q'ty  |       | Applicable<br>Machine No. | Remarks |
|----------|--------------|----------------------------------|-------|-------|---------------------------|---------|
|          |              |                                  | RD250 | RD350 |                           |         |
| 29- 1    | 246-25111-00 | HUB, front .....                 | 1     |       |                           |         |
| 29- 2    | 152-25104-00 | SPROKE SET .....                 | 1s    |       |                           |         |
| 29- 3    | 94130-18039  | TIRE, front (3.00-18-4PR) ....   | 1     |       |                           |         |
| 29- 4    | 94230-18012  | TUBE (3.00-18) .....             | 1     |       |                           |         |
| 29- 5    | 94416-18013  | RIM (1.60A-18) .....             | 1     |       |                           |         |
| 29- 6    | 94330-18010  | BAND, rim (3.00-18) .....        | 1     |       |                           |         |
| 29- 7    | 136-25317-00 | SPACER, bearing .....            | 1     |       |                           |         |
| 29- 8    | 93306-30201  | BEARING (6302) .....             | 1     |       |                           |         |
| 29- 9    | 93306-30203  | BEARING (6302Z) .....            | 1     |       |                           |         |
| 29-10    | 93102-22014  | OIL SEAL (SD-22-42-7) .....      | 1     |       |                           |         |
| 29-11    | 278-25121-00 | PLATE, brake shoe .....          | 1     |       |                           |         |
| 29-12    | 214-25147-00 | WASHER, thrust 2 (22.5-29-1) ..  | 2     |       |                           |         |
| 29-13    | 246-25135-00 | GEAR, drive (27T) .....          | 1     |       |                           |         |
| 29-14    | 246-25149-00 | CLUTCH, meter .....              | 1     |       |                           |         |
| 29-15    | 93410-22014  | CIRCLIP (S-22) .....             | 1     |       |                           |         |
| 29-16    | 246-25151-00 | CAMSHAFT .....                   | 2     |       |                           |         |
| 29-17    | 148-25353-00 | SHIM, camshaft (14.2-24-0.5) ... | 2     |       |                           |         |
| 29-18    | 168-25130-00 | BRAKE SHOE COMP. ....            | 2     |       |                           |         |
| 29-19    | 246-25333-00 | SPRING, return .....             | 2     |       |                           |         |
| 29-20    | 93105-53013  | OIL SEAL (SDD-53-65-7) .....     | 1     |       |                           |         |
| 29-21    | 214-25138-00 | GEAR, meter .....                | 1     |       |                           |         |
| 29-22    | 183-25146-00 | WASHER, thrust 1 (7-12-0.8) ...  | 1     |       |                           |         |
| 29-23    | 109-25136-00 | BUSHING .....                    | 1     |       |                           |         |
| 29-24    | 93104-07003  | OIL SEAL (SD-7-14-4) .....       | 1     |       |                           |         |



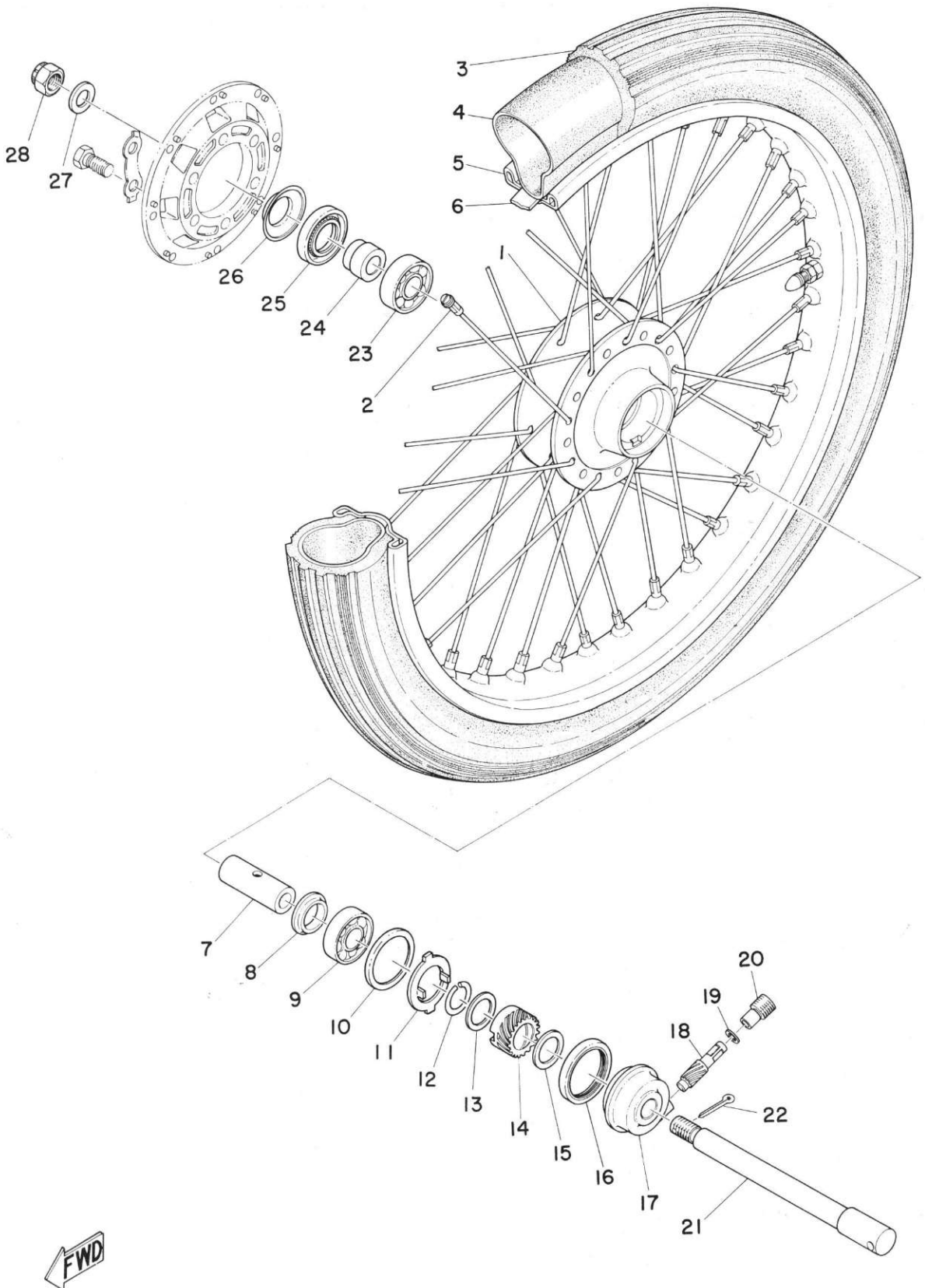
Fig. 29 FRONT WHEEL (RD250)



# FRONT WHEEL (RD250)

| Ref. No. | Part No.     | Description               | Q'ty  |       | Applicable<br>Machine No. | Remarks |
|----------|--------------|---------------------------|-------|-------|---------------------------|---------|
|          |              |                           | RD250 | RD350 |                           |         |
| 29-25    | 93210-14104  | O-RING (2.4-13.8) .....   | 1     |       |                           |         |
| 29-26    | 102-25137-00 | RING, stop .....          | 1     |       |                           |         |
| 29-27    | 148-25359-00 | SEAL, camshaft .....      | 2     |       |                           |         |
| 29-28    | 168-25155-00 | LEVER, camshaft 1 .....   | 1     |       |                           |         |
| 29-29    | 91103-06030  | BOLT .....                | 2     |       |                           |         |
| 29-30    | 98803-06100  | NUT .....                 | 2     |       |                           |         |
| 29-31    | 92901-06100  | WASHER, spring .....      | 2     |       |                           |         |
| 29-32    | 92901-06200  | WASHER, plain .....       | 2     |       |                           |         |
| 29-33    | 246-25156-00 | LEVER, camshaft 2 .....   | 1     |       |                           |         |
| 29-34    | 174-25183-00 | COLLAR, wheel shaft ..... | 1     |       |                           |         |
| 29-35    | 246-25118-00 | COVER, hub dust .....     | 1     |       |                           |         |
| 29-36    | 278-25181-00 | SHAFT, wheel .....        | 1     |       |                           |         |
| 29-37    | 92901-14200  | WASHER, plain .....       | 1     |       |                           |         |
| 29-38    | 214-25182-01 | NUT, shaft .....          | 1     |       |                           |         |
| 29-39    | 91401-30028  | PIN, cotter .....         | 1     |       |                           |         |
| 29-40    | 152-25163-00 | END, rod 1 .....          | 1     |       |                           |         |
| 29-41    | 152-25165-00 | PIN, rod end .....        | 2     |       |                           |         |
| 29-42    | 92803-06300  | NUT .....                 | 1     |       |                           |         |
| 29-43    | 152-25164-00 | END, rod 2 .....          | 1     |       |                           |         |
| 29-44    | 152-25161-00 | ROD, connecting .....     | 1     |       |                           |         |
| 29-45    | 93430-04003  | CIRCLIP (E-4) .....       | 2     |       |                           |         |
| 29-46    | 156-25398-00 | BALANCER, wheel .....     | U.R   |       |                           |         |
| 29-47    | 148-25115-00 | FLANGE, spacer .....      | 1     |       |                           |         |

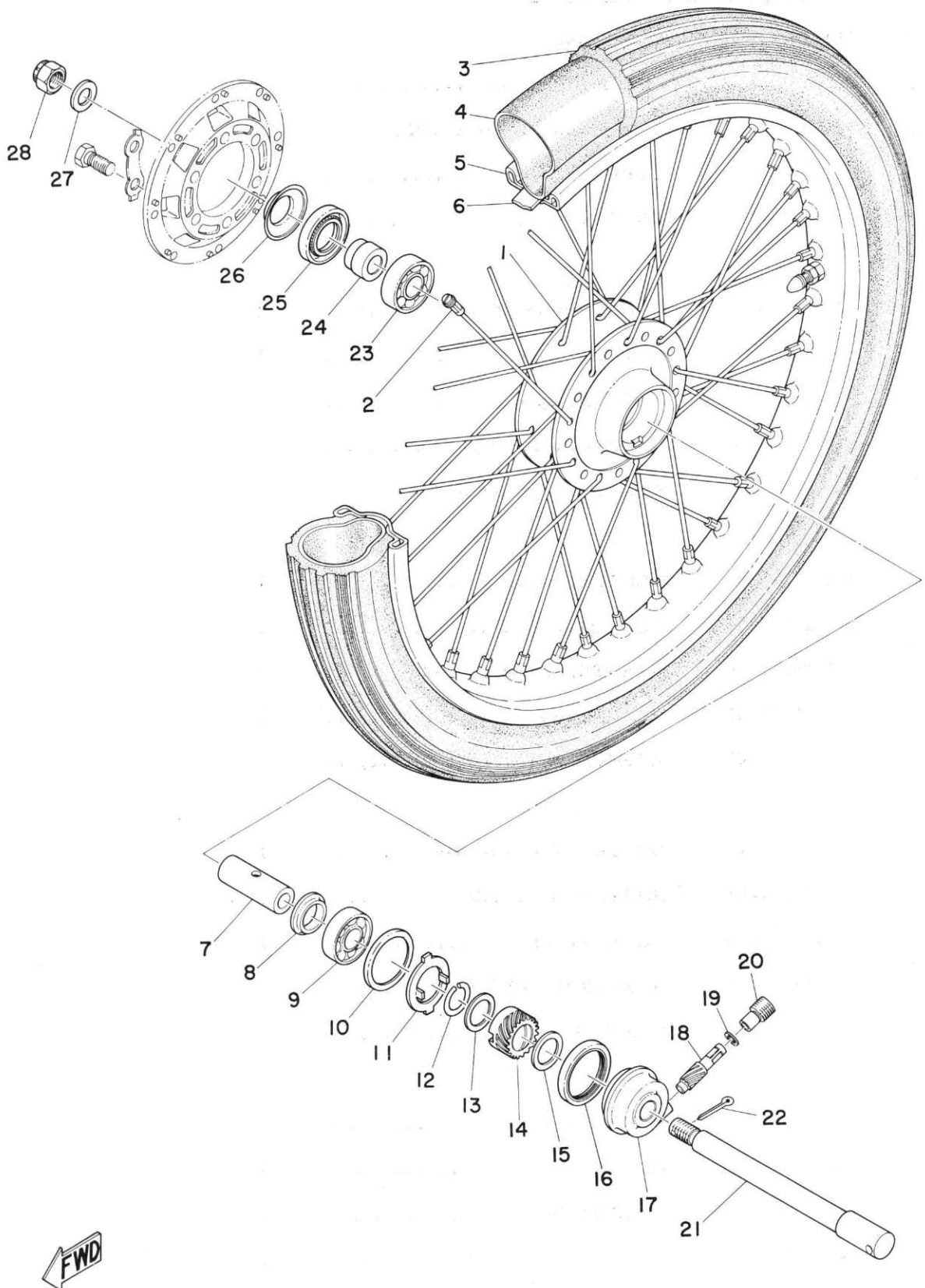
Fig. 30 FRONT WHEEL (RD350)



# FRONT WHEEL (RD350)

| Ref. No. | Part No.     | Description                     | Q'ty  |       | Applicable<br>Machine No. | Remarks |
|----------|--------------|---------------------------------|-------|-------|---------------------------|---------|
|          |              |                                 | RD250 | RD350 |                           |         |
| 30- 1    | 351-25111-00 | HUB, front .....                |       | 1     |                           |         |
| 30- 2    | 351-25104-00 | SPOKE SET .....                 |       | 1s    |                           |         |
| 30- 3    | 94130-18108  | TIRE, front (3.00-18-4PR) ....  |       | 1     |                           |         |
| 30- 4    | 94230-18012  | TUBE (3.00-18) .....            |       | 1     |                           |         |
| 30- 5    | 94416-18068  | RIM (1.60A-18) .....            |       | 1     |                           |         |
| 30- 6    | 94330-18010  | BAND, rim (3.00-18) .....       |       | 1     |                           |         |
| 30- 7    | 351-25117-00 | SPACER, bearing .....           |       | 1     |                           |         |
| 30- 8    | 152-25115-00 | FLANGE, spacer .....            |       | 1     |                           |         |
| 30- 9    | 93306-30303  | BEARING (6303ZC3) .....         |       | 1     |                           |         |
| 30-10    | 341-25846-00 | RETAINER, clutch meter ....     |       | 1     |                           |         |
| 30-11    | 341-25149-00 | CLUTCH, meter .....             |       | 1     |                           |         |
| 30-12    | 341-25137-00 | RING, stop .....                |       | 1     |                           |         |
| 30-13    | 341-25147-00 | WASHER, thrust 2 (25-29-1.0)... |       | 1     |                           |         |
| 30-14    | 351-25135-00 | GEAR, drive .....               |       | 1     |                           |         |
| 30-15    | 152-17226-00 | WASHER, thrust 1 (25-32-1.6)... |       | 1     |                           |         |
| 30-16    | 93105-45017  | OIL SEAL (SDD45-56-6) .....     |       | 1     |                           |         |
| 30-17    | 341-25191-01 | HOUSING, gear unit .....        |       | 1     |                           |         |
| 30-18    | 351-25138-00 | GEAR, meter .....               |       | 1     |                           |         |
| 30-19    | 102-18416-00 | WASHER (6.2-9.5-0.8) .....      |       | 1     |                           |         |
| 30-20    | 306-25136-00 | BUSHING .....                   |       | 1     |                           |         |
| 30-21    | 351-25181-00 | SHAFT, wheel .....              |       | 1     |                           |         |
| 30-22    | 91401-30028  | PIN, cotter .....               |       | 1     |                           |         |
| 30-23    | 93306-30301  | BEARING (6303) .....            |       | 1     |                           |         |
| 30-24    | 341-25183-00 | COLLAR, wheel shaft .....       |       | 1     |                           |         |

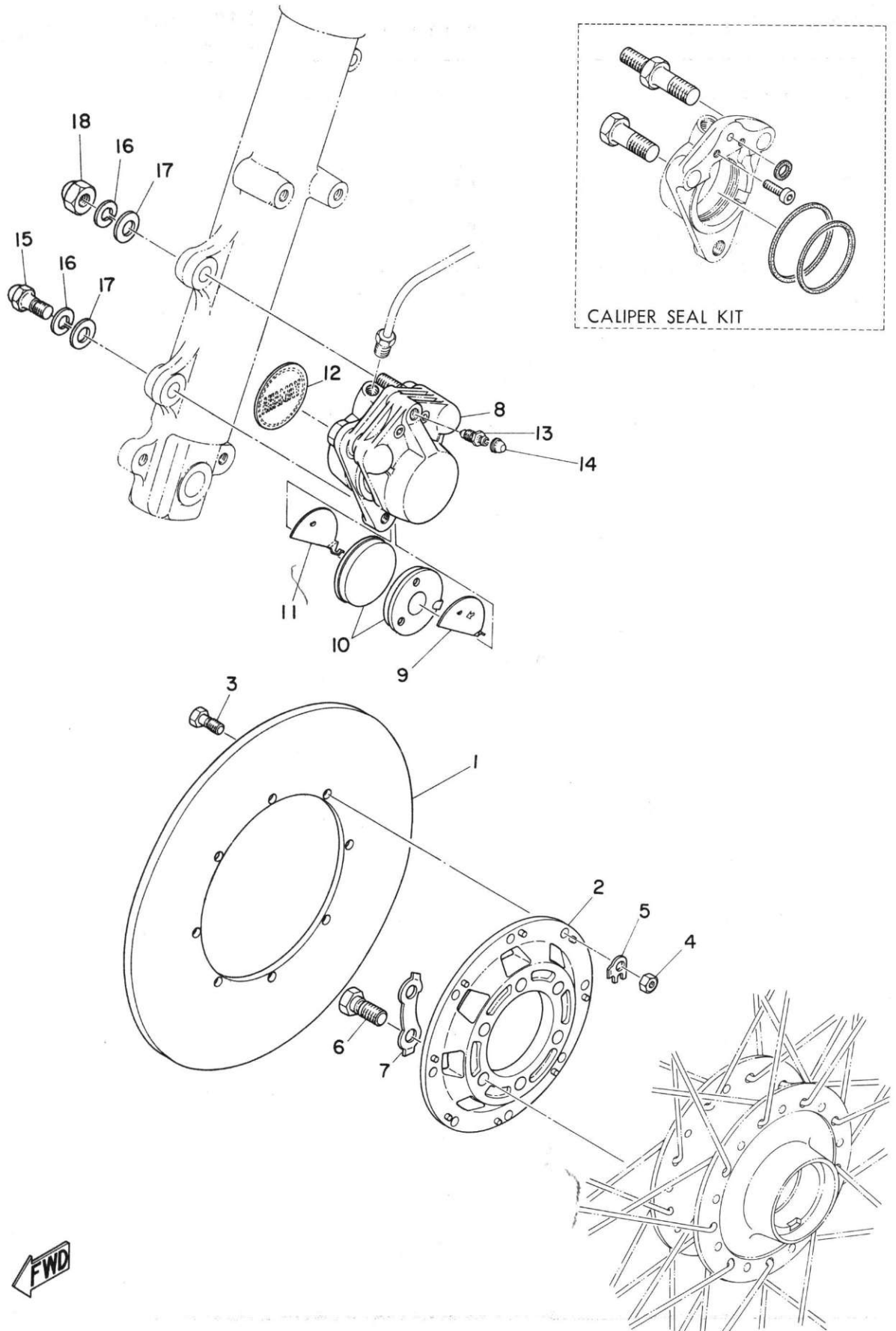
Fig. 30 FRONT WHEEL (RD350)



## FRONT WHEEL (RD350)

| Ref. No. | Part No.     | Description                | Q'ty  |       | Applicable<br>Machine No. | Remarks |
|----------|--------------|----------------------------|-------|-------|---------------------------|---------|
|          |              |                            | RD250 | RD350 |                           |         |
| 30-25    | 93102-28022  | OIL SEAL (SD28-47-7) ..... |       | 1     |                           |         |
| 30-26    | 341-25118-00 | COVER, hub dust .....      |       | 1     |                           |         |
| 30-27    | 92901-14200  | WASHER, plain .....        |       | 1     |                           |         |
| 30-28    | 214-25182-01 | NUT, shaft .....           |       | 1     |                           |         |

Fig. 31 DISK BRAKE · CALIPER (RD350)

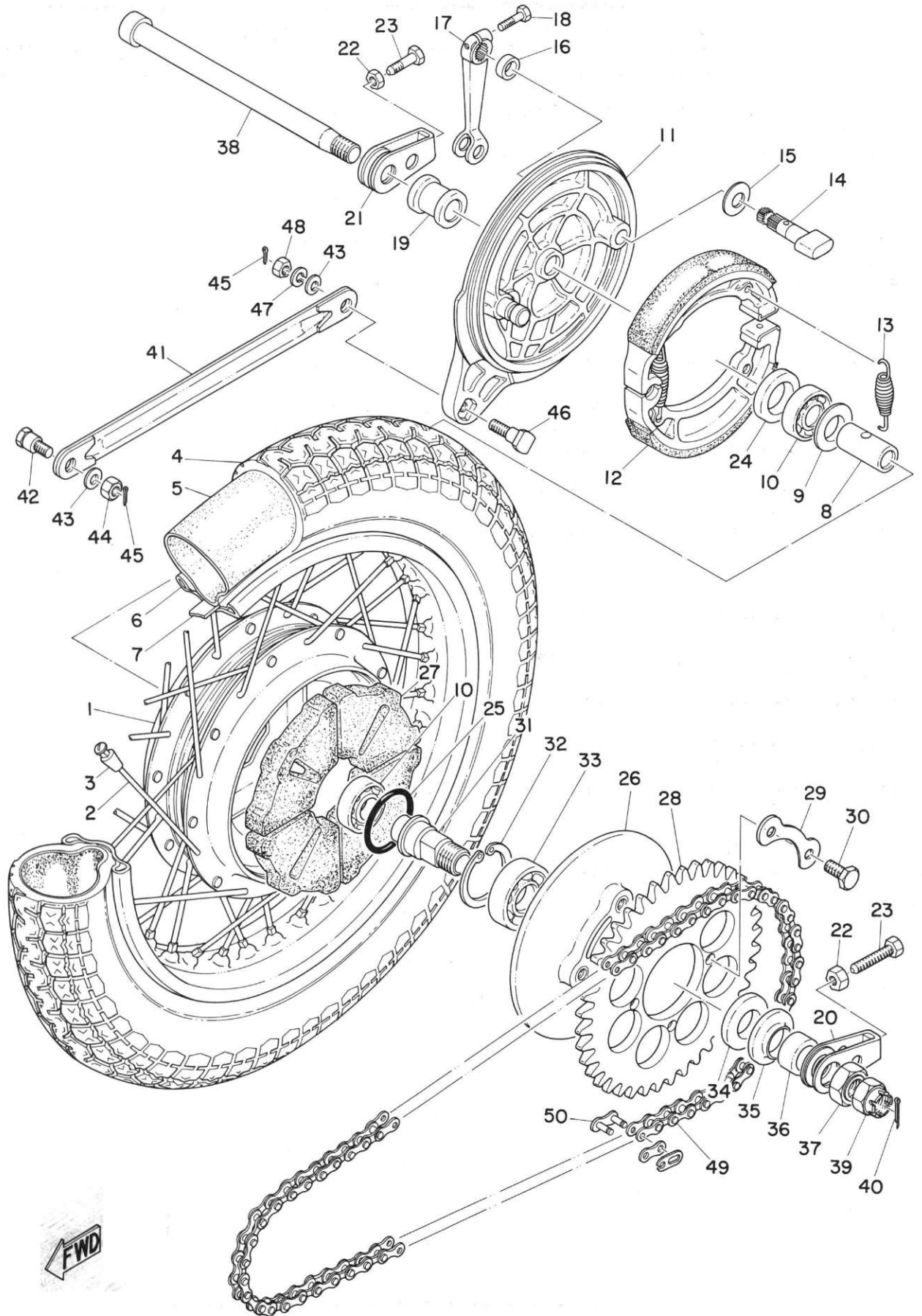


## DISK BRAKE · CALIPER (RD350)

| Ref. No. | Part No.     | Description             | Q'ty  |       | Applicable<br>Machine No. | Remarks         |
|----------|--------------|-------------------------|-------|-------|---------------------------|-----------------|
|          |              |                         | RD250 | RD350 |                           |                 |
| 31- 1    | 351-25831-00 | DISK, brake .....       |       | 1     |                           |                 |
| 31- 2    | 351-25832-00 | BRACKET, disk .....     |       | 1     |                           |                 |
| 31- 3    | 306-25833-00 | BOLT, fitting .....     |       | 8     |                           |                 |
| 31- 4    | 98801-06100  | NUT .....               |       | 8     |                           |                 |
| 31- 5    | 306-25834-00 | WASHER, lock .....      |       | 8     |                           |                 |
| 31- 6    | 341-25411-00 | BOLT, fitting .....     |       | 6     |                           |                 |
| 31- 7    | 341-25412-00 | WASHER, lock .....      |       | 3     |                           |                 |
| 31- 8    | 306-25810-01 | CALIPER ASS'Y .....     |       | 1     |                           |                 |
| 31- 9    | 306-25827-00 | . SHIM 1 .....          |       | 1     |                           |                 |
| 31-10    | 306-25811-00 | . PAD, caliper .....    |       | 2     |                           |                 |
| 31-11    | 306-25828-00 | . SHIM 2 .....          |       | 1     |                           |                 |
| 31-12    | 306-25829-00 | . EMBLEM, caliper ..... |       | 1     |                           |                 |
| 31-13    | 306-25824-00 | . SCREW, bleed .....    |       | 1     |                           |                 |
| 31-14    | 306-25825-01 | . CAP .....             |       | 1     |                           |                 |
| 31-15    | 306-25818-00 | BOLT, fitting .....     |       | 1     |                           |                 |
| 31-16    | 92901-10100  | WASHER, spring .....    |       | 2     |                           |                 |
| 31-17    | 92901-10200  | WASHER, plain .....     |       | 2     |                           |                 |
| 31-18    | 92803-10700  | NUT, crown .....        |       | 1     |                           |                 |
| 31- 0-1  | 306-20000-51 | CALIPER SEAL KIT .....  |       | 1     |                           | Alternate Parts |



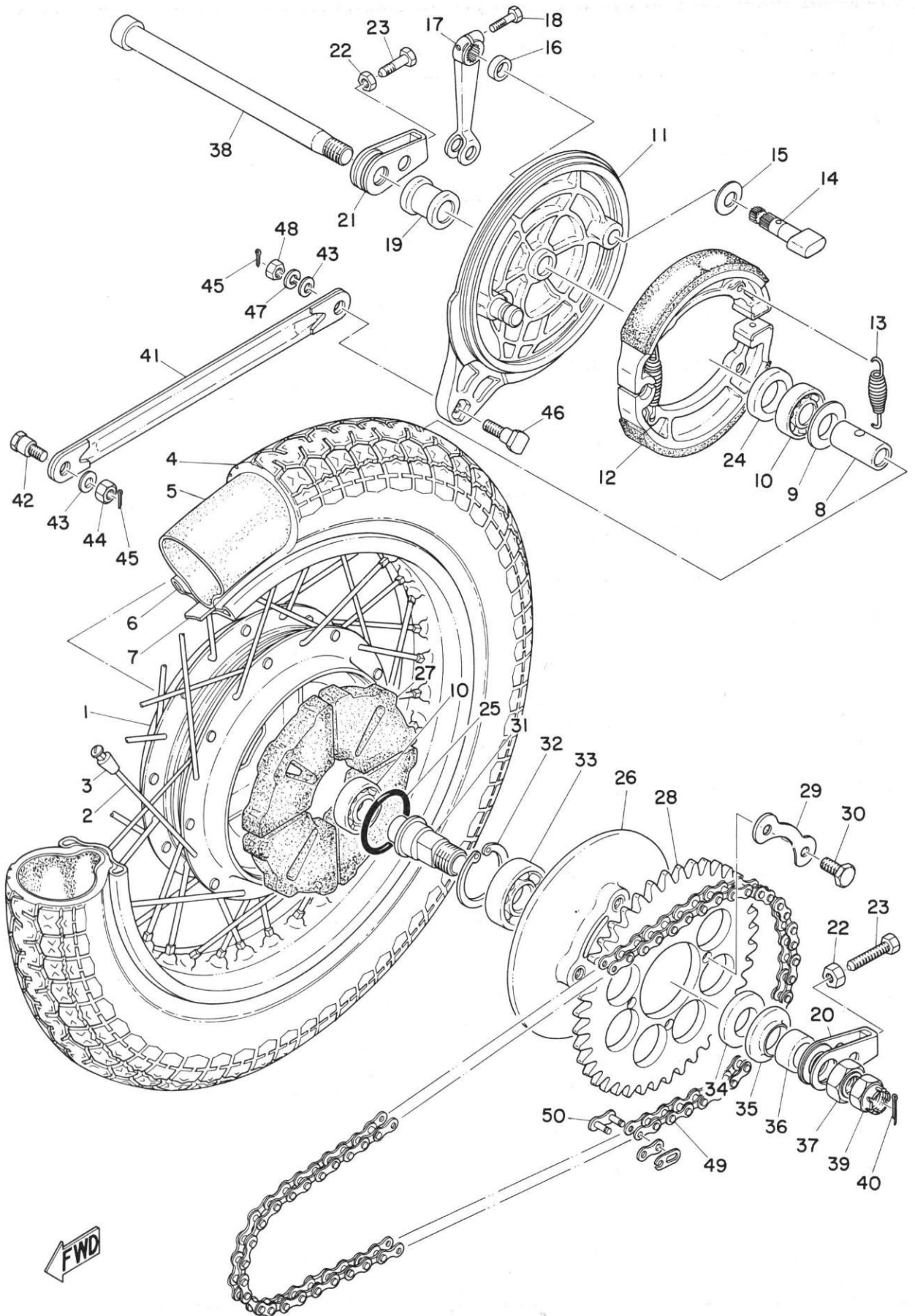
Fig. 32 REAR WHEEL



# REAR WHEEL

| Ref. No. | Part No.     | Description                     | Q'ty  |       | Applicable<br>Machine No. | Remarks |
|----------|--------------|---------------------------------|-------|-------|---------------------------|---------|
|          |              |                                 | RD250 | RD350 |                           |         |
| 32- 1    | 278-25311-00 | HUB, rear .....                 | 1     | 1     |                           |         |
| 32- 2    | 278-25304-00 | SPOKE SET .....                 | 1s    | 1s    |                           |         |
| 32- 3    | 156-25398-00 | BALANCER, wheel .....           | U.R   | U.R   |                           |         |
| 32- 4    | 94132-18089  | TIRE, rear (3.25-18-4PR) ....   | 1     |       |                           |         |
|          | 94135-18107  | TIRE, rear (3.50-18-4PR) ....   |       | 1     |                           |         |
| 32- 5    | 94232-18020  | TUBE (3.25-18) .....            | 1     |       |                           |         |
|          | 94235-18022  | TUBE (3.50-18) .....            |       | 1     |                           |         |
| 32- 6    | 94418-18026  | RIM (1.85B-18) .....            | 1     | 1     |                           |         |
| 32- 7    | 94332-18016  | BAND, rim (3.25-18) .....       | 1     |       |                           |         |
|          | 94335-18018  | BAND, rim (3.50-18) .....       |       | 1     |                           |         |
| 32- 8    | 148-25317-00 | SPACER, bearing .....           | 1     | 1     |                           |         |
| 32- 9    | 148-25315-00 | FLANGE, spacer .....            | 1     | 1     |                           |         |
| 32-10    | 93306-30303  | BEARING (6303 ZC3) .....        | 2     | 2     |                           |         |
| 32-11    | 278-25321-01 | PLATE, brake shoe rear .....    | 1     | 1     |                           |         |
| 32-12    | 168-25330-00 | BRAKE SHOE COMP. ....           | 2     | 2     |                           |         |
| 32-13    | 246-25333-00 | SPRING, return .....            | 2     | 2     |                           |         |
| 32-14    | 278-25351-00 | CAMSHAFT .....                  | 1     | 1     |                           |         |
| 32-15    | 148-25353-00 | SHIM, camshaft (14.2-24-0.5) .. | 1     | 1     |                           |         |
| 32-16    | 148-25359-00 | SEAL, camshaft .....            | 1     | 1     |                           |         |
| 32-17    | 214-25355-00 | LEVER, camshaft .....           | 1     | 1     |                           |         |
| 32-18    | 91103-06025  | BOLT .....                      | 1     | 1     |                           |         |
| 32-19    | 148-25383-00 | COLLAR, wheel shaft .....       | 1     | 1     |                           |         |
| 32-20    | 168-25388-00 | PULLER, chain left .....        | 1     | 1     |                           |         |
| 32-21    | 168-25389-00 | PULLER, chain right .....       | 1     | 1     |                           |         |

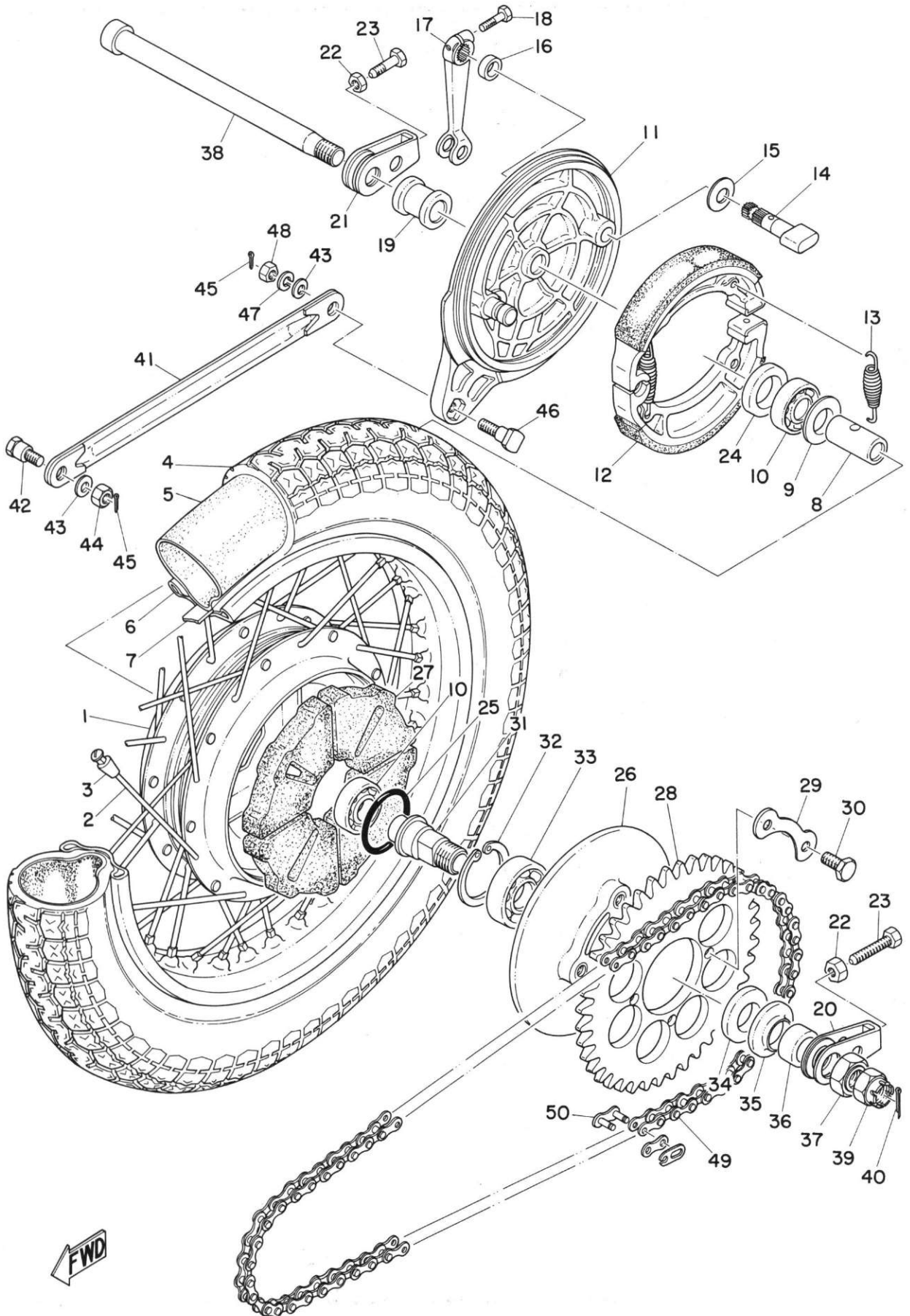
Fig. 32 REAR WHEEL



## REAR WHEEL

| Ref. No. | Part No.     | Description                    | Q'ty  |       | Applicable<br>Machine No. | Remarks |
|----------|--------------|--------------------------------|-------|-------|---------------------------|---------|
|          |              |                                | RD250 | RD350 |                           |         |
| 32-22    | 98801-08300  | NUT .....                      | 2     | 2     |                           |         |
| 32-23    | 168-25379-00 | BOLT, chain puller .....       | 2     | 2     |                           |         |
| 32-24    | 93102-32037  | OIL SEAL (SD-32-45-8) .....    | 1     | 1     |                           |         |
| 32-25    | 93210-55051  | O-RING (3-54.5) .....          | 1     | 1     |                           |         |
| 32-26    | 168-25366-00 | CLUTCH, hub .....              | 1     | 1     |                           |         |
| 32-27    | 278-25364-00 | DAMPER, clutch .....           | 4     | 4     |                           |         |
| 32-28    | 360-25440-20 | GEAR, sprocket wheel (40T) ... | 1     | 1     |                           |         |
| 32-29    | 148-25412-00 | WASHER, lock .....             | 2     | 2     |                           |         |
| 32-30    | 146-25411-00 | BOLT, fitting .....            | 4     | 4     |                           |         |
| 32-31    | 152-25387-00 | SHAFT, sprocket .....          | 1     | 1     |                           |         |
| 32-32    | 93420-52014  | CIRCLIP (R-52) .....           | 1     | 1     |                           |         |
| 32-33    | 93306-20503  | BEARING (6205ZC3) .....        | 1     | 1     |                           |         |
| 32-34    | 93104-25008  | OIL SEAL (SD-25-47-5) .....    | 1     | 1     |                           |         |
| 32-35    | 168-25367-00 | COVER, dust .....              | 1     | 1     |                           |         |
| 32-36    | 168-25386-00 | COLLAR, sprocket shaft .....   | 1     | 1     |                           |         |
| 32-37    | 168-25385-00 | NUT, sprocket shaft .....      | 1     | 1     |                           |         |
| 32-38    | 150-25381-00 | SHAFT, wheel .....             | 1     | 1     |                           |         |
| 32-39    | 275-25382-00 | NUT, shaft .....               | 1     | 1     |                           |         |
| 32-40    | 91401-30028  | PIN, cotter .....              | 1     | 1     |                           |         |
| 32-41    | 168-25371-00 | BAR, tension .....             | 1     | 1     |                           |         |
| 32-42    | 168-25373-00 | BOLT, tension bar 1 .....      | 1     | 1     |                           |         |
| 32-43    | 92901-08200  | WASHER, plain .....            | 2     | 2     |                           |         |
| 32-44    | 98801-08100  | NUT .....                      | 1     | 1     |                           |         |
| 32-45    | 91401-20015  | PIN, cotter .....              | 2     | 2     |                           |         |

Fig. 32 REAR WHEEL

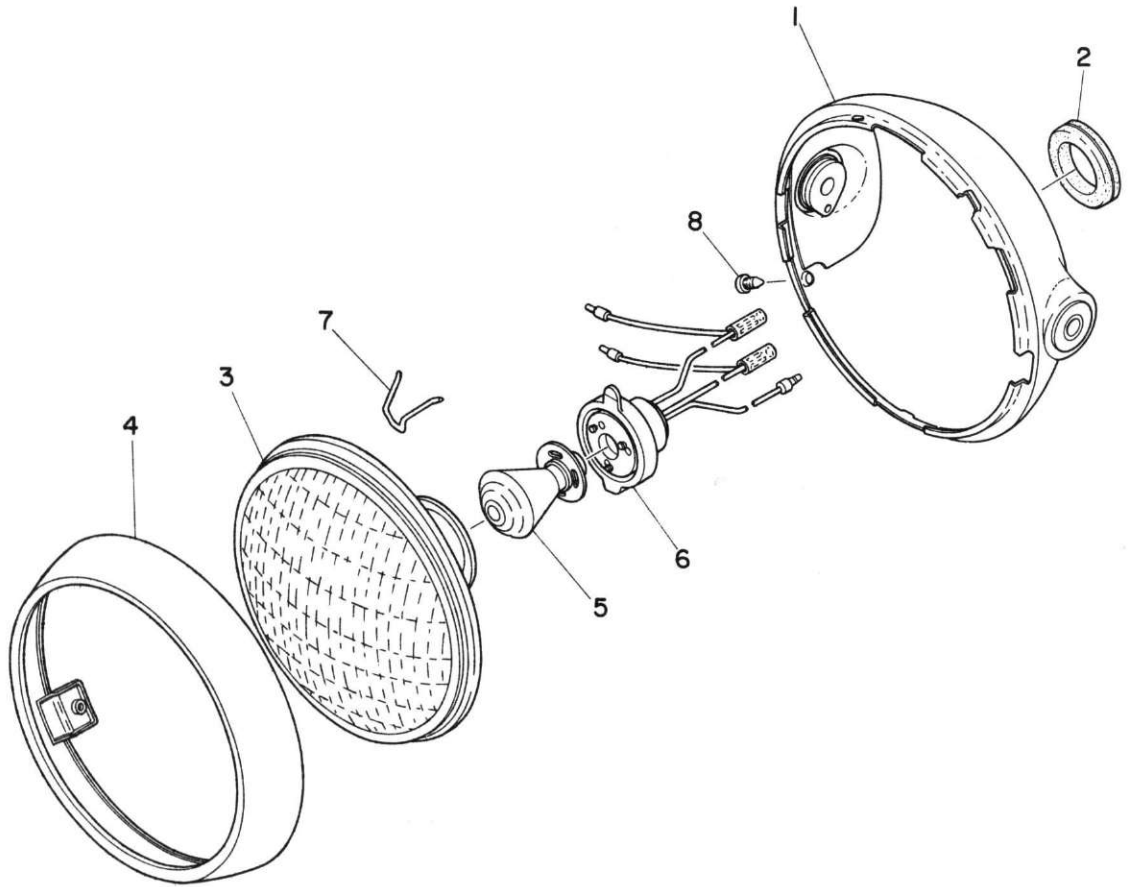


FWD

# REAR WHEEL

| Ref. No. | Part No.     | Description          | Q'ty    |       | Applicable<br>Machine No. | Remarks |
|----------|--------------|----------------------|---------|-------|---------------------------|---------|
|          |              |                      | RD250   | RD350 |                           |         |
| 32-46    | 168-25378-00 | BOLT, tension bar 2  | ..... 1 | 1     |                           |         |
| 32-47    | 92901-08100  | WASHER, spring       | ..... 1 | 1     |                           |         |
| 32-48    | 98801-08300  | NUT                  | ..... 1 | 1     |                           |         |
| 32-49    | 94585-30092  | CHAIN (DID530DS-92L) | ..... 1 | 1     |                           |         |
| 32-50    | 94685-30011  | . JOINT, chain       | ..... 1 | 1     |                           |         |

Fig. 33 HEAD LAMP

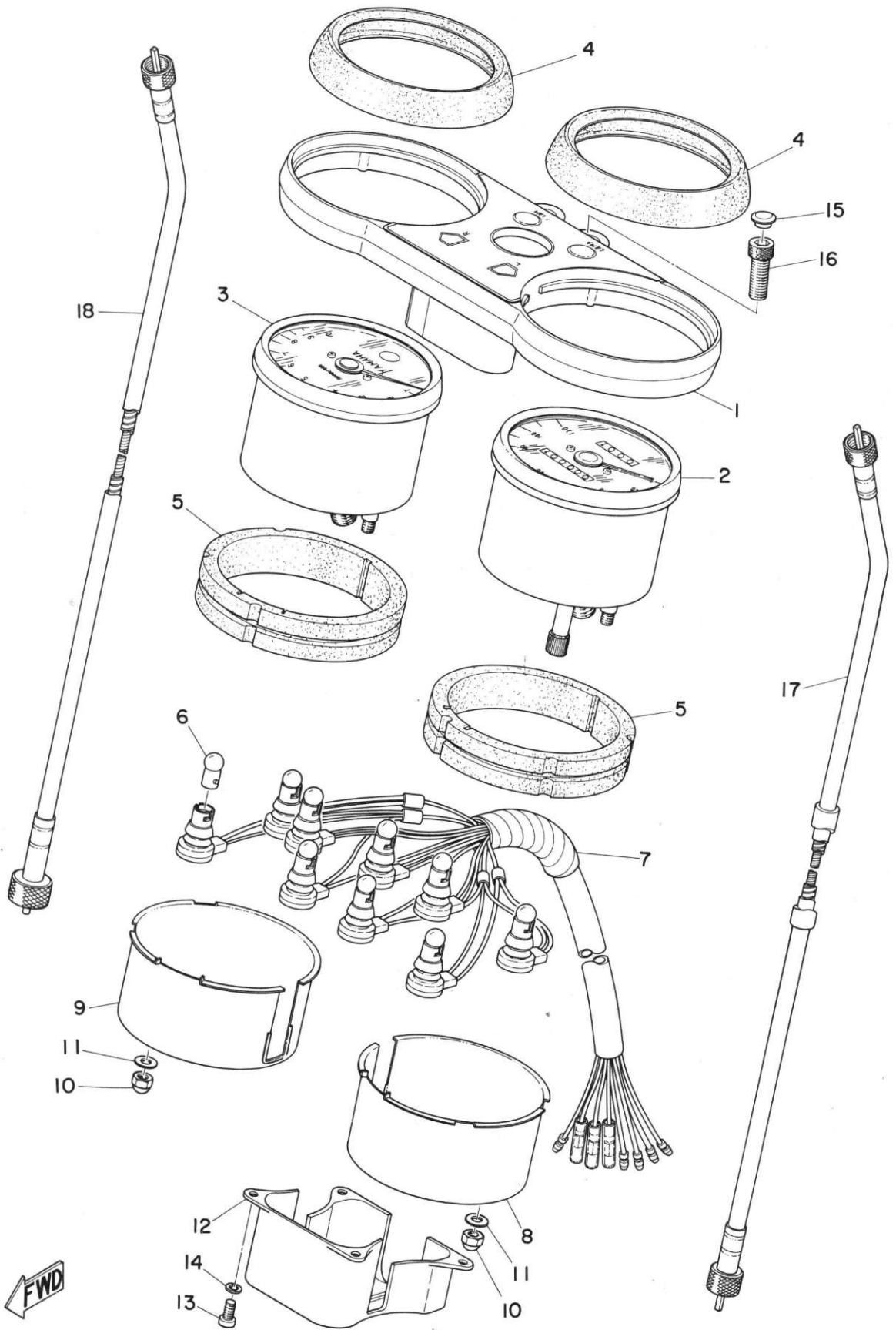


# HEAD LAMP

| Ref. No. | Part No.        | Description                    | Q'ty  |       | Applicable<br>Machine No. | Remarks           |
|----------|-----------------|--------------------------------|-------|-------|---------------------------|-------------------|
|          |                 |                                | RD250 | RD350 |                           |                   |
| 33- 1    | 360-84330-61-F2 | BODY ASS'Y .....               | 1     |       |                           | Butterfly Blue    |
|          | 360-84330-61-M2 | BODY ASS'Y .....               | 1     |       |                           | Gold Dust         |
|          | 360-84330-61-A2 | BODY ASS'Y .....               |       | 1     |                           | Brandy Red        |
|          | 360-84330-61-K1 | BODY ASS'Y .....               |       | 1     |                           | Competition Green |
| 33- 2    | 214-84153-60    | . GROMMET .....                | 1     | 1     |                           |                   |
| 33- 0-1  | 360-84310-00    | HEAD LAMP UNIT ASS'Y .....     | 1     | 1     |                           |                   |
| 33- 3    | 235-84320-00    | . LENS ASS'Y .....             | 1     | 1     |                           |                   |
| 33- 4    | 235-84315-00    | . RIM, head lamp .....         | 1     | 1     |                           |                   |
| 33- 5    | 235-84314-00    | . BULB, head lamp (12V-35/25W) | 1     | 1     |                           |                   |
| 33- 6    | 235-84312-60    | . SOCKET .....                 | 1     | 1     |                           |                   |
| 33- 7    | 148-84324-00    | . SPRING, reflector set .....  | 4     | 4     |                           |                   |
| 33- 8    | 195-84325-00    | SCREW, rim fitting .....       | 1     | 1     |                           |                   |



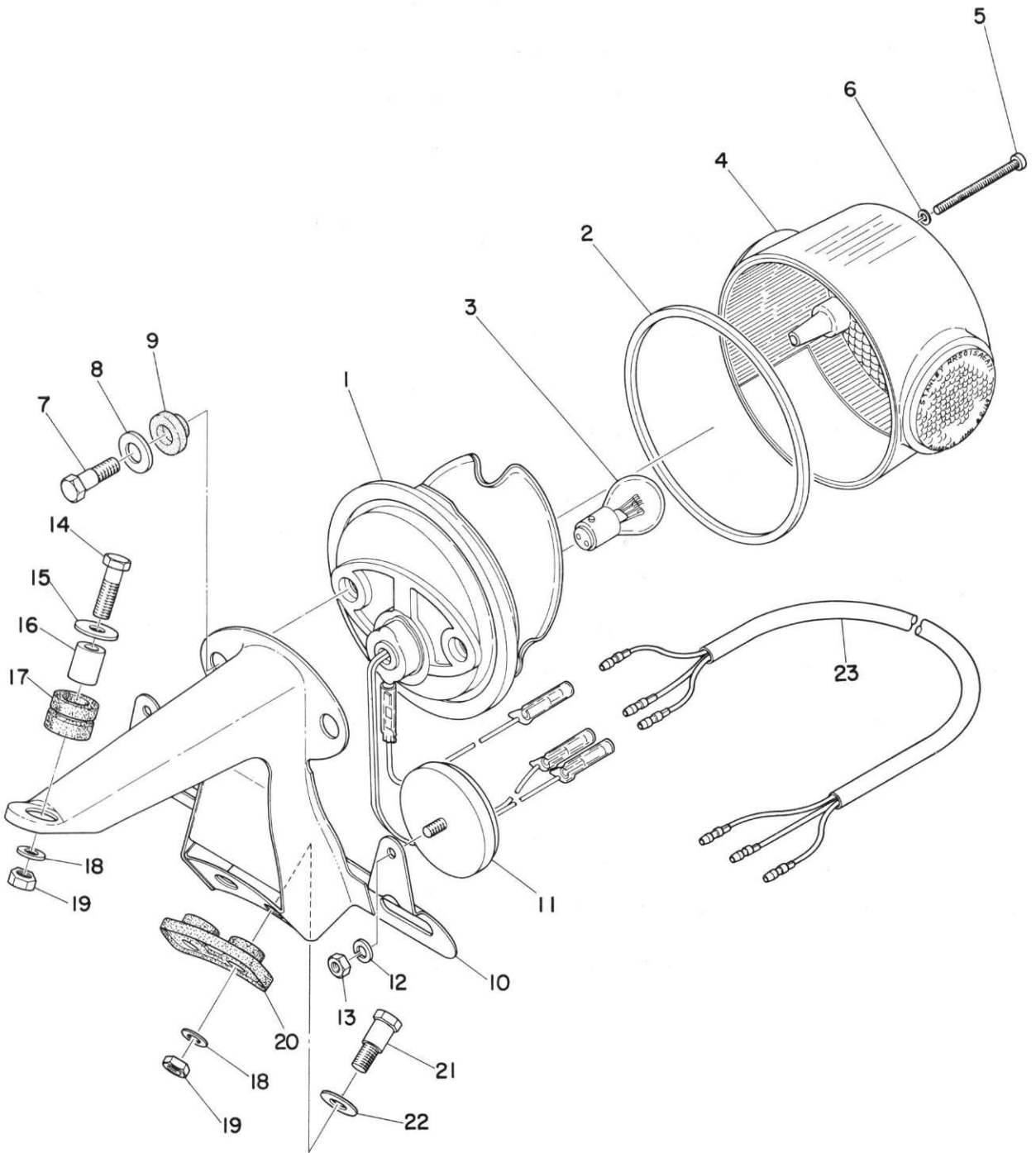
Fig. 34 SPEEDOMETER · TACHOMETER



# SPEEDOMETER · TACHOMETER

| Ref. No. | Part No.        | Description                | Q'ty<br>RD250 RD350 | Applicable<br>Machine No. | Remarks |
|----------|-----------------|----------------------------|---------------------|---------------------------|---------|
| 34- 1    | 360-83519-40-98 | BRACKET, meter .....       | 1                   | 1                         |         |
| 34- 2    | 360-83510-20    | SPEEDOMETER ASS'Y .....    | } U.R U.R<br>1 1    |                           | KM/H    |
|          | 360-83570-40    | SPEEDOMETER ASS'Y .....    |                     |                           | MPH     |
| 34- 3    | 360-83540-00    | TACHOMETER ASS'Y .....     | 1                   | 1                         |         |
| 34- 4    | 360-83513-00    | DAMPER .....               | 2                   | 2                         |         |
| 34- 5    | 360-83523-00    | DAMPER .....               | 2                   | 2                         |         |
| 34- 6    | 123-83516-20    | BULB (12V-3W) .....        | 9                   | 9                         |         |
| 34- 7    | 360-83509-40    | SOCKET ASS'Y .....         | 1                   | 1                         |         |
| 34- 8    | 360-83507-00    | COVER, speedometer .....   | 1                   | 1                         |         |
| 34- 9    | 360-83508-00    | COVER, tachometer .....    | 1                   | 1                         |         |
| 34-10    | 98803-05700     | NUT, crown .....           | 4                   | 4                         |         |
| 34-11    | 92903-05200     | WASHER, plain .....        | 4                   | 4                         |         |
| 34-12    | 360-83547-00    | COVER, socket .....        | 1                   | 1                         |         |
| 34-13    | 98501-04008     | SCREW, panhead .....       | 4                   | 4                         |         |
| 34-14    | 92901-04100     | WASHER, spring .....       | 4                   | 4                         |         |
| 34-15    | 341-23469-00    | CAP, bolt .....            | 2                   | 2                         |         |
| 34-16    | 360-23452-00    | BOLT, fitting .....        | 2                   | 2                         |         |
| 34-17    | 361-83550-00    | SPEEDOMETER CABLE ASS'Y .. | 1                   |                           |         |
|          | 351-83550-00    | SPEEDOMETER CABLE ASS'Y .. |                     | 1                         |         |
| 34-18    | 360-83560-00    | TACHOMETER CABLE ASS'Y ... | 1                   | 1                         |         |

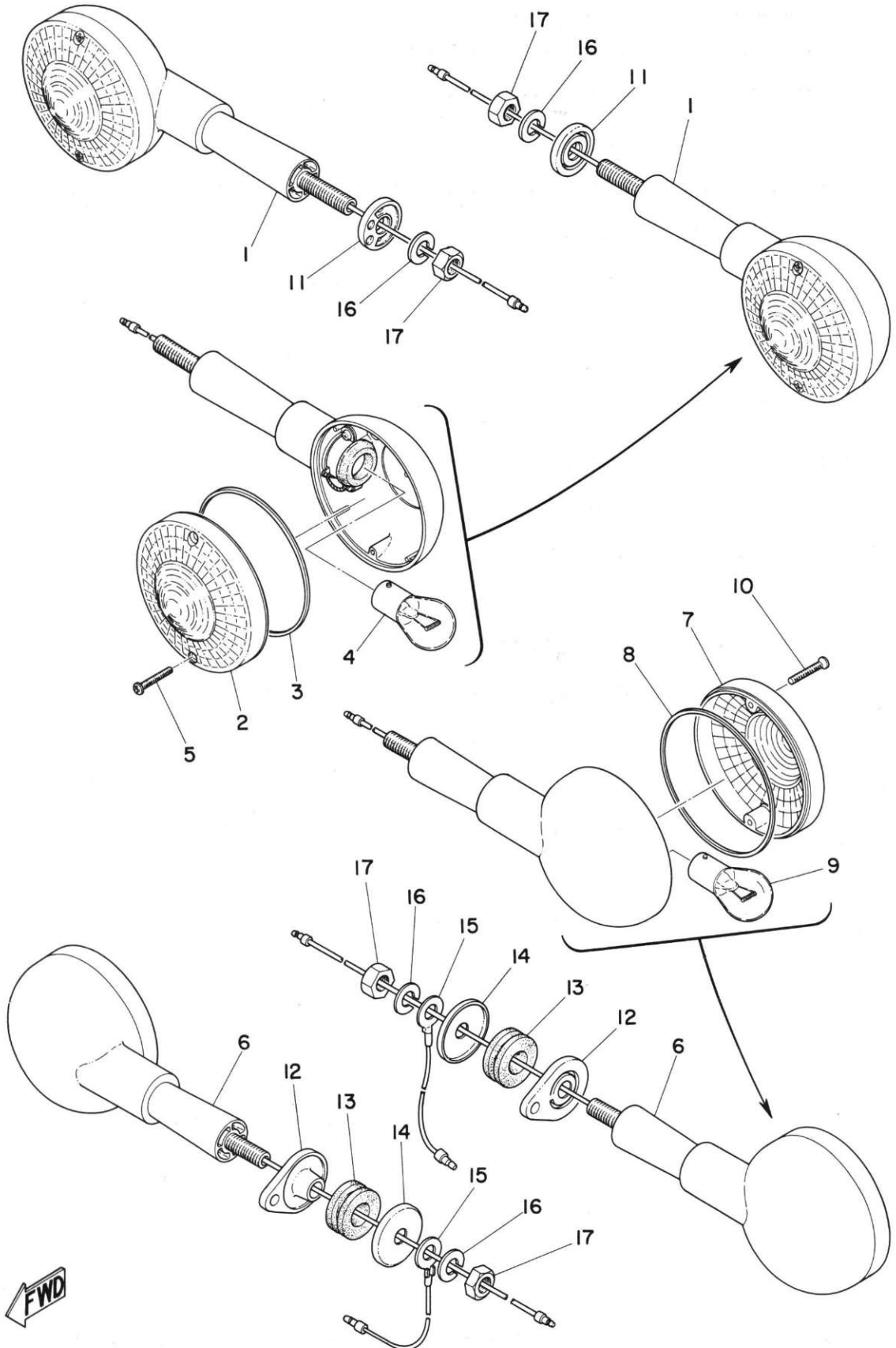
Fig. 35 TAIL LAMP



# TAIL LAMP

| Ref. No. | Part No.        | Description                     | Q'ty  |       | Applicable<br>Machine No. | Remarks |
|----------|-----------------|---------------------------------|-------|-------|---------------------------|---------|
|          |                 |                                 | RD250 | RD350 |                           |         |
| 35- 0-1  | 341-84710-00    | TAIL LAMP UNIT ASS'Y            | ..... | 1     | 1                         |         |
| 35- 1    | 306-84711-60    | . BASE, tail lamp               | ..... | 1     | 1                         |         |
| 35- 2    | 275-84523-60    | . GASKET, tail lamp             | ..... | 1     | 1                         |         |
| 35- 3    | 137-84714-61    | . BULB, tail lamp (12V-23/8W).. | ..... | 1     | 1                         |         |
| 35- 4    | 341-84721-00    | . LENS, tail lamp               | ..... | 1     | 1                         |         |
| 35- 5    | 341-84724-60    | . SCREW, lens fitting           | ..... | 3     | 3                         |         |
| 35- 6    | 341-84722-60    | . WASHER                        | ..... | 3     | 3                         |         |
| 35- 7    | 275-84526-60    | SCREW                           | ..... | 2     | 2                         |         |
| 35- 8    | 275-84525-60    | WASHER, special                 | ..... | 2     | 2                         |         |
| 35- 9    | 275-84527-60    | DAMPER                          | ..... | 2     | 2                         |         |
| 35-10    | 341-84751-61-93 | BRACKET, license                | ..... | 1     | 1                         |         |
| 35-11    | 341-85111-60    | REFLECTOR                       | ..... | 2     | 2                         |         |
| 35-12    | 92903-05100     | WASHER, spring                  | ..... | 2     | 2                         |         |
| 35-13    | 98803-05100     | NUT                             | ..... | 2     | 2                         |         |
| 35-14    | 91203-06025     | BOLT                            | ..... | 1     | 1                         |         |
| 35-15    | 102-28323-00    | WASHER, leg shield              | ..... | 1     | 1                         |         |
| 35-16    | 214-21633-00    | COLLAR, fender mount            | ..... | 1     | 1                         |         |
| 35-17    | 214-21717-00    | DAMPER, battery box             | ..... | 1     | 1                         |         |
| 35-18    | 92901-06100     | WASHER, spring                  | ..... | 3     | 3                         |         |
| 35-19    | 98801-06100     | NUT                             | ..... | 3     | 3                         |         |
| 35-20    | 214-84553-01    | DAMPER                          | ..... | 1     | 1                         |         |
| 35-21    | 168-21738-00    | BOLT A                          | ..... | 2     | 2                         |         |
| 35-22    | 92901-08200     | WASHER, plain                   | ..... | 2     | 2                         |         |
| 35-23    | 251-84517-60    | CORD, tail lamp                 | ..... | 1     | 1                         |         |

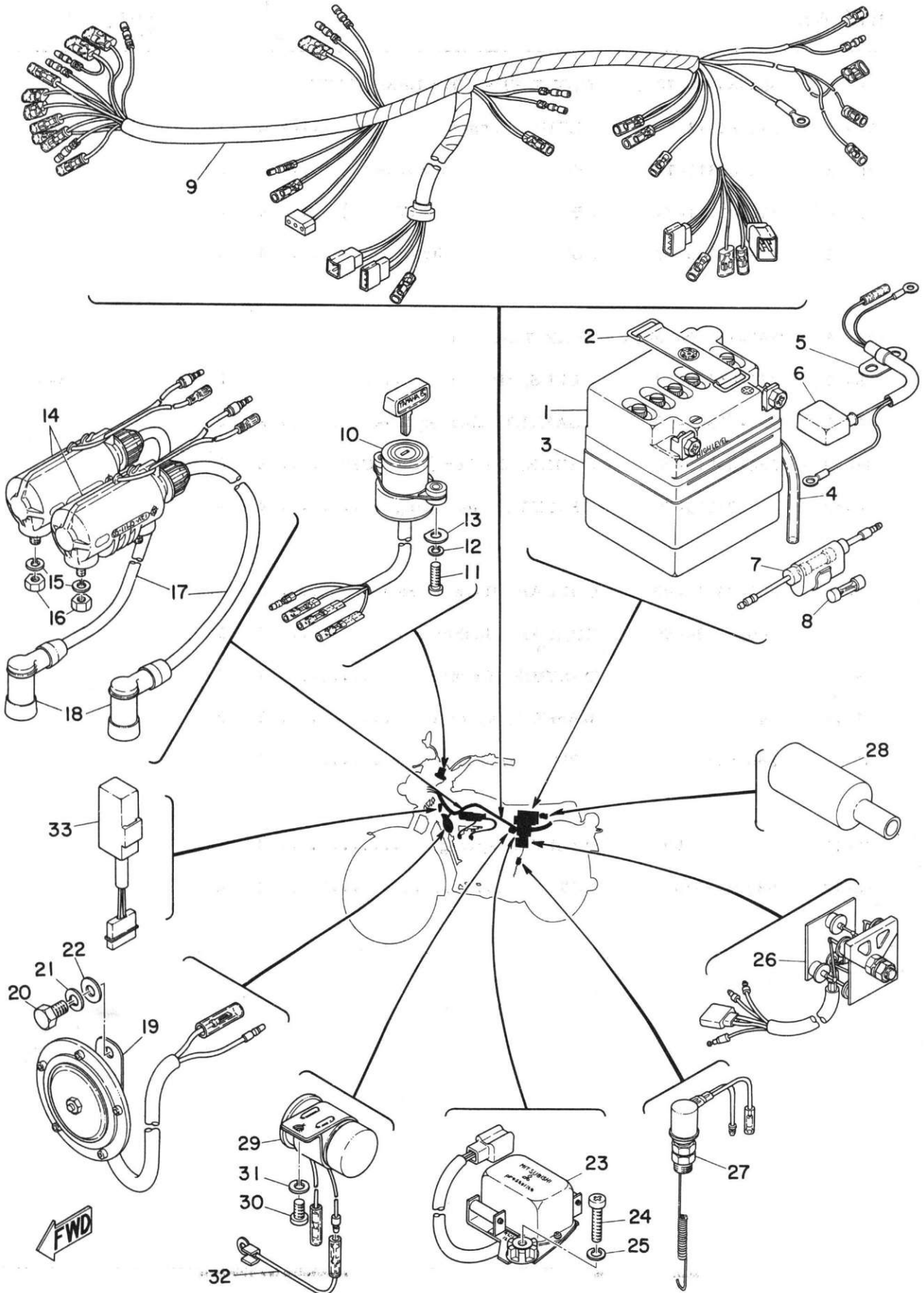
Fig. 36 FLASHER LAMP



# FLASHER LAMP

| Ref. No. | Part No.        | Description                    | Q'ty  |       | Applicable<br>Machine No. | Remarks |
|----------|-----------------|--------------------------------|-------|-------|---------------------------|---------|
|          |                 |                                | RD250 | RD350 |                           |         |
| 36- 1    | 360-83310-70-93 | FRONT FLASHER LAMP ASS'Y       | 2     | 2     |                           |         |
| 36- 2    | 341-83312-70    | . LENS, flasher .....          | 2     | 2     |                           | Amber   |
| 36- 3    | 341-83313-70    | . GASKET, flasher lens .....   | 2     | 2     |                           |         |
| 36- 4    | 256-83311-70    | . BULB, flasher (12V32CP) ...  | 2     | 2     |                           |         |
| 36- 5    | 341-83333-70    | . SCREW, lens fitting .....    | 4     | 4     |                           |         |
| 36- 6    | 360-83330-20-93 | REAR FLASHER LAMP ASS'Y ..     | 2     | 2     |                           |         |
| 36- 7    | 341-83312-70    | . LENS, flasher .....          | 2     | 2     |                           | Amber   |
| 36- 8    | 341-83313-70    | . GASKET, flasher lens .....   | 2     | 2     |                           |         |
| 36- 9    | 256-83311-70    | . BULB, flasher (12V32CP) .... | 2     | 2     |                           |         |
| 36-10    | 341-83333-70    | . SCREW, lens fitting .....    | 4     | 4     |                           |         |
| 36-11    | 360-83316-00    | COLLAR, flasher front .....    | 2     | 2     |                           |         |
| 36-12    | 360-83326-00    | COLLAR, flasher rear .....     | 2     | 2     |                           |         |
| 36-13    | 360-83321-00    | DAMPER, flasher .....          | 2     | 2     |                           |         |
| 36-14    | 341-83348-00    | WASHER, special .....          | 2     | 2     |                           |         |
| 36-15    | 256-84313-01    | WIRE, earth lead .....         | 2     | 2     |                           |         |
| 36-16    | 92901-08100     | WASHER, spring .....           | 4     | 4     |                           |         |
| 36-17    | 98801-08100     | NUT .....                      | 4     | 4     |                           |         |

# Fig. 37 ELECTRICAL



# ELECTRICAL

| Ref. No. | Part No.     | Description                  | Q'ty  |       | Applicable<br>Machine No. | Remarks |
|----------|--------------|------------------------------|-------|-------|---------------------------|---------|
|          |              |                              | RD250 | RD350 |                           |         |
| 37- 1    | 118-82110-71 | BATTERY ASS'Y .....          | 1     | 1     |                           |         |
| 37- 1-1  | 104-82111-20 | . CAP, battery .....         | 6     | 6     |                           |         |
| 37- 2    | 122-82131-00 | BAND, battery .....          | 1     | 1     |                           |         |
| 37- 3    | 235-82124-00 | BAND, battery .....          | 1     | 1     |                           |         |
| 37- 4    | 168-82112-00 | PIPE, breather (5-580) ..... | 1     | 1     |                           |         |
| 37- 5    | 360-82117-00 | WIRE, lead .....             | 1     | 1     |                           |         |
| 37- 6    | 360-82119-00 | . COVER, lead wire .....     | 1     | 1     |                           |         |
| 37- 7    | 164-82150-00 | FUSE HOLDER ASS'Y .....      | 1     | 1     |                           |         |
| 37- 8    | 148-82151-00 | . FUSE .....                 | 2     | 2     |                           |         |
| 37- 9    | 360-82590-41 | WIRE HARNESS ASS'Y .....     | 1     | 1     |                           |         |
| 37-10    | 360-82508-41 | MAIN SWITCH ASS'Y .....      | 1     | 1     |                           |         |
| 37-11    | 98501-05018  | SCREW, panhead .....         | 2     | 2     |                           |         |
| 37-12    | 92901-05100  | WASHER, spring .....         | 2     | 2     |                           |         |
| 37-13    | 360-82517-00 | WASHER, special .....        | 2     | 2     |                           |         |
| 37-14    | 254-82310-60 | IGNITION COIL ASS'Y .....    | 2     | 2     |                           |         |
| 37-15    | 92901-06100  | WASHER, spring .....         | 4     | 4     |                           |         |
| 37-16    | 98801-06200  | NUT .....                    | 4     | 4     |                           |         |
| 37-17    | 278-82341-00 | CORD, high tension .....     | 2     | 2     |                           |         |
| 37-18    | 166-82370-20 | PLUG CAP ASS'Y .....         | 2     | 2     |                           |         |
| 37-19    | 278-83371-20 | HORN .....                   | 1     | 1     |                           |         |
| 37-20    | 97201-08018  | BOLT .....                   | 1     | 1     |                           |         |
| 37-21    | 92901-08100  | WASHER, spring .....         | 1     | 1     |                           |         |
| 37-22    | 92901-08200  | WASHER, plain .....          | 1     | 1     |                           |         |
| 37-23    | 278-81910-21 | VOLTAGE REGULATOR ASS'Y ..   | 1     | 1     |                           |         |





# ELECTRICAL

| Ref. No. | Part No.     | Description         | Q'ty    |       | Applicable<br>Machine No. | Remarks |
|----------|--------------|---------------------|---------|-------|---------------------------|---------|
|          |              |                     | RD250   | RD350 |                           |         |
| 37-24    | 92501-06030  | SCREW, panhead      | ..... 2 | 2     |                           |         |
| 37-25    | 92901-06100  | WASHER, spring      | ..... 2 | 2     |                           |         |
| 37-26    | 278-81970-20 | RECTIFIER ASS'Y     | ..... 1 | 1     |                           |         |
| 37-27    | 278-82530-00 | STOP SWITCH ASS'Y   | ..... 1 | 1     |                           |         |
| 37-28    | 256-82599-00 | COVER, connector    | ..... 1 | 1     |                           |         |
| 37-29    | 278-83350-70 | FLASHER RELAY ASS'Y | ..... 1 | 1     |                           |         |
| 37-30    | 92501-06012  | SCREW, panhead      | ..... 1 | 1     |                           |         |
| 37-31    | 92901-06100  | WASHER, spring      | ..... 1 | 1     |                           |         |
| 37-32    | 214-83354-00 | WIRE, earth lead    | ..... 1 | 1     |                           |         |
| 37-33    | 360-84708-00 | CHECKER, lamp       | ..... 1 | 1     |                           |         |

# NUMERICAL INDEX



# NUMERICAL INDEX

| Ref No. | Parts No.       | Ref No. | Parts No.       | Ref No. | Parts No.       |
|---------|-----------------|---------|-----------------|---------|-----------------|
| 26-21   | 101-24356-00    | 9-23    | 136-17417-00-10 | 32-16   | 148-25359-00    |
| 27-18   | 101-24356-00    | 23- 7   | 136-23415-00    | 32-19   | 148-25383-00    |
| 10- 4   | 102-18138-00    | 29- 7   | 136-25317-00    | 32-39   | 148-25412-00    |
| 14- 7   | 102-18138-00    | 23-25   | 136-25375-00    | 37- 8   | 148-82151-00    |
| 30-19   | 102-18416-00    | 15- 3   | 136-82545-00    | 33- 7   | 148-84324-00    |
| 13-20   | 102-22243-00    | 4-16    | 137-11634-00    | 4-18    | 150-11545-00    |
| 18-12   | 102-22243-00    | 14-17   | 137-13128-00    | 18- 5   | 150-22124-00    |
| 29-26   | 102-25137-00    | 14-12   | 137-13137-00-03 | 18- 3   | 150-22126-00    |
| 35-15   | 102-28323-00    | 14-12   | 137-13137-00-05 | 18- 6   | 150-22128-00    |
| 37- 1-1 | 104-82111-20    | 14-13   | 137-13138-01    | 32-38   | 150-25381-00    |
| 29-23   | 109-25136-00    | 14- 4   | 137-13176-00    | 12-16   | 152-14123-00-33 |
| 17- 3   | 116-28324-00    | 14-19   | 137-13187-00    | 13- 9   | 152-14613-00    |
| 17-12   | 116-28324-00    | 12-17   | 137-14133-00-33 | 6- 3    | 152-17226-00    |
| 20-21   | 116-28324-00    | 12- 2   | 137-14143-22    | 9-19    | 152-17226-00    |
| 27-12   | 116-28324-00    | 12- 2   | 137-14143-24    | 30-15   | 152-17226-00    |
| 37- 1   | 118-82110-71    | 12- 2   | 137-14143-26    | 6-36    | 152-17463-00    |
| 2-15    | 120-15371-00    | 12- 2   | 137-14143-28    | 29- 2   | 152-25104-00    |
| 21-25   | 122-23119-01    | 12- 2   | 137-14143-30    | 30- 8   | 152-25115-00    |
| 22-28   | 122-23119-01    | 12- 3   | 137-14153-00    | 29-44   | 152-25161-00    |
| 21-26   | 122-23129-00    | 12- 8   | 137-14186-00    | 29-40   | 152-25163-00    |
| 22-29   | 122-23129-00    | 2-13    | 137-15353-00    | 29-43   | 152-25164-00    |
| 26-17   | 122-24182-01    | 7-31    | 137-15353-00    | 29-41   | 152-25165-00    |
| 37- 2   | 122-82131-00    | 6-37    | 137-15643-00    | 32-31   | 152-25387-00    |
| 34- 6   | 123-83516-20    | 5- 8    | 137-16337-01    | 20-26   | 152-84518-00    |
| 14- 1   | 126-13116-00    | 23- 8   | 137-23454-00    | 9- 2    | 156-15618-01    |
| 12-15   | 127-14134-00    | 26-25   | 137-24513-00    | 5-12    | 156-16174-00    |
| 15-13   | 131-81231-20    | 26-30   | 137-24523-00    | 6-35    | 156-17464-01    |
| 12-33   | 132-14179-00-33 | 35- 3   | 137-84714-61    | 18- 2   | 156-22141-00    |
| 5-29    | 132-16346-00    | 17- 9   | 141-21717-00    | 23- 2   | 156-23411-00    |
| 6- 9    | 132-17216-00    | 32-30   | 146-25411-00    | 23- 4   | 156-23412-00    |
| 9-12    | 132-17216-00    | 19-24   | 146-27216-00    | 29-46   | 156-25398-00    |
| 8-13    | 132-18113-01    | 18- 4   | 148-22123-00    | 32- 3   | 156-25398-00    |
| 8-17    | 132-18317-00    | 29-47   | 148-25115-00    | 24-31   | 156-26347-00    |
| 26-32   | 132-24518-00    | 32- 9   | 148-25315-00    | 23-11   | 156-27226-00    |
| 26-33   | 132-24525-00    | 32- 8   | 148-25317-00    | 24-32   | 156-27226-00    |
| 16-16   | 134-23484-10    | 29-17   | 148-25353-00    | 24-30   | 156-27229-00    |
| 18-11   | 135-22243-00    | 32-15   | 148-25353-00    | 19-31   | 156-27237-00    |
| 23-22   | 135-22244-00    | 29-27   | 148-25359-00    | 19-16   | 156-27413-00    |

# NUMERICAL INDEX

| Ref No. | Parts No.       | Ref No. | Parts No.       | Ref No. | Parts No.       |
|---------|-----------------|---------|-----------------|---------|-----------------|
| 28- 6   | 156-83525-00    | 32-46   | 168-25378-00    | 12-14   | 204-14122-00-33 |
| 4- 8    | 164-11685-00    | 32-23   | 168-25379-00    | 19-32   | 206-27238-00    |
| 12-21   | 164-14137-00    | 32-37   | 168-25385-00    | 14-25   | 214-13161-01    |
| 6-39    | 164-17417-00-10 | 32-36   | 168-25386-00    | 14-26   | 214-13164-00    |
| 23- 1   | 164-23462-00    | 32-20   | 168-25388-00    | 14-27   | 214-13164-00    |
| 37- 7   | 164-82150-00    | 32-21   | 168-25389-00    | 12- 5   | 214-14195-00    |
| 2-20    | 164-82594-00    | 24-28   | 168-26337-00    | 2-12    | 214-15351-00    |
| 37-18   | 166-82370-20    | 24-29   | 168-26344-00    | 4-23    | 214-16119-00    |
| 4-24    | 168-11555-00    | 19-37   | 168-27431-10    | 5-13    | 214-16119-00    |
| 12- 4   | 168-14190-25    | 19-38   | 168-27433-10    | 5-24    | 214-16344-00    |
| 6-13    | 168-17428-01-03 | 19-39   | 168-27437-10    | 5-20    | 214-16347-01    |
| 6-29    | 168-17428-01-03 | 15-29   | 168-81235-21    | 5-26    | 214-16379-00    |
| 6-13    | 168-17428-01-05 | 37- 4   | 168-82112-00    | 5-25    | 214-16389-00    |
| 6-29    | 168-17428-01-05 | 24-34   | 168-83936-01    | 10-10   | 214-17811-01    |
| 6-34    | 168-17461-40    | 6-33    | 169-17462-00    | 10-16   | 214-17812-00    |
| 6-34    | 168-17461-50    | 16- 2   | 169-21482-00    | 10-15   | 214-17815-00    |
| 6-34    | 168-17461-60    | 18- 8   | 169-22143-00    | 10-12   | 214-17841-01    |
| 13-22   | 168-21615-00    | 12-34   | 170-14178-00-33 | 10-19   | 214-17843-00    |
| 20-18   | 168-21615-00    | 5-14    | 170-16164-00    | 10-14   | 214-17847-00    |
| 13-23   | 168-21635-00    | 20-27   | 170-21746-00    | 8- 3    | 214-18123-00    |
| 20-19   | 168-21635-00    | 19-17   | 172-27416-00    | 8-11    | 214-18139-02    |
| 13-21   | 168-21639-00    | 5-10    | 174-16356-00    | 8- 5    | 214-18178-00    |
| 20-17   | 168-21639-00    | 20-10   | 174-21518-00-93 | 8- 6    | 214-18186-00    |
| 35-21   | 168-21738-00    | 23-15   | 174-23443-00    | 20-24   | 214-21268-00    |
| 26-19   | 168-24312-00    | 26-20   | 174-24312-00    | 27-23   | 214-21268-00    |
| 26-22   | 168-24500-01    | 28- 9   | 174-24741-00    | 17-14   | 214-21633-00    |
| 26-23   | 168-24512-00    | 29-34   | 174-25183-00    | 20-23   | 214-21633-00    |
| 26-28   | 168-24515-00    | 19-30   | 180-27236-00    | 27-14   | 214-21633-00    |
| 26-26   | 168-24521-00    | 5- 9    | 183-16333-70    | 35-16   | 214-21633-00    |
| 26-27   | 168-24522-00    | 23- 6   | 183-23411-00    | 17-13   | 214-21717-00    |
| 26-31   | 168-24524-00    | 23- 5   | 183-23412-00    | 20-22   | 214-21717-00    |
| 29-18   | 168-25130-00    | 29-22   | 183-25146-00    | 27-13   | 214-21717-00    |
| 29-28   | 168-25155-00    | 17-17   | 190-23445-00    | 35-17   | 214-21717-00    |
| 32-12   | 168-25330-00    | 12- 1   | 193-14142-25    | 11- 5   | 214-21746-00    |
| 32-26   | 168-25366-00    | 12- 1   | 193-14142-30    | 27- 3   | 214-21771-00    |
| 32-35   | 168-25367-00    | 26-29   | 193-81145-20    | 27- 4   | 214-21772-00    |
| 32-41   | 168-25371-00    | 26-34   | 193-81145-20    | 27-15   | 214-21779-00    |
| 32-42   | 168-25373-00    | 33- 8   | 195-84325-00    | 21-18   | 214-23114-00    |

# NUMERICAL INDEX

| Ref No. | Parts No.    | Ref No. | Parts No.       | Ref No. | Parts No.       |
|---------|--------------|---------|-----------------|---------|-----------------|
| 22-18   | 214-23114-00 | 29-35   | 246-25118-00    | 1- 5    | 278-11351-00    |
| 21- 4   | 214-23146-00 | 29-13   | 246-25135-00    | 4- 0-1  | 278-11400-00    |
| 22- 4   | 214-23146-00 | 29-14   | 246-25149-00    | 4- 1    | 278-11412-00    |
| 21- 5   | 214-23156-00 | 29-16   | 246-25151-00    | 4- 2    | 278-11422-00    |
| 22- 5   | 214-23156-00 | 29-33   | 246-25156-00    | 4- 3    | 278-11432-00    |
| 16-15   | 214-23483-00 | 29-19   | 246-25333-00    | 4- 4    | 278-11442-00    |
| 16-19   | 214-23485-00 | 32-13   | 246-25333-00    | 4- 9    | 278-11515-00    |
| 16-17   | 214-23488-00 | 1- 6    | 248-11361-00    | 4-22    | 278-11546-00    |
| 23-26   | 214-23490-00 | 2-16    | 248-15373-00    | 4-15    | 278-11633-00    |
| 23-27   | 214-23492-00 | 9-11    | 248-15668-00    | 4- 6    | 278-11651-00    |
| 29-21   | 214-25138-00 | 16- 5   | 248-21315-00    | 4- 5    | 278-11681-00    |
| 29-12   | 214-25147-00 | 28- 2   | 248-24726-00-33 | 14-24   | 278-13161-00    |
| 29-38   | 214-25182-01 | 19-27   | 248-27228-00    | 14-22   | 278-13169-00    |
| 30-28   | 214-25182-01 | 35-23   | 251-84517-60    | 14-28   | 278-13174-00    |
| 32-17   | 214-25355-00 | 37-14   | 254-82310-60    | 14- 2   | 278-13175-00    |
| 24-19   | 214-26243-00 | 12-30   | 256-14135-00    | 14- 8   | 278-13178-00    |
| 19- 9   | 214-27316-00 | 12-22   | 256-14936-00    | 12-11   | 278-14115-00-33 |
| 37-32   | 214-83354-00 | 2- 5    | 256-15193-00    | 12-12   | 278-14117-00    |
| 24- 5   | 214-83912-00 | 2- 4    | 256-15194-00    | 12-29   | 278-14171-00    |
| 24- 7   | 214-83913-00 | 5-23    | 256-16343-01    | 12-32   | 278-14174-00-33 |
| 24-13   | 214-83913-00 | 5-21    | 256-16396-01    | 12-36   | 278-14175-00-33 |
| 33- 2   | 214-84153-60 | 18-16   | 256-21544-00    | 12- 6   | 278-14185-00    |
| 35-20   | 214-84553-01 | 23-19   | 256-23442-00-98 | 12-38   | 278-14197-00    |
| 24-11   | 233-83922-30 | 37-28   | 256-82599-00    | 11- 3   | 278-14412-01    |
| 24- 2   | 235-26241-10 | 36- 4   | 256-83311-70    | 11- 6   | 278-14426-00    |
| 24-21   | 235-26242-10 | 36- 9   | 256-83311-70    | 11- 2   | 278-14451-00    |
| 37- 3   | 235-82124-00 | 36-15   | 256-84313-01    | 11-10   | 278-14455-00    |
| 33- 6   | 235-84312-60 | 14- 2   | 275-13175-00    | 11- 4   | 278-14459-00    |
| 33- 5   | 235-84314-00 | 32-39   | 275-25382-00    | 13- 6   | 278-14611-00    |
| 33- 4   | 235-84315-00 | 35- 2   | 275-84523-60    | 13- 7   | 278-14621-00    |
| 33- 3   | 235-84320-00 | 35- 8   | 275-84525-60    | 13-17   | 278-14777-00    |
| 5-18    | 237-15389-00 | 35- 7   | 275-84526-60    | 2- 0-1  | 278-15100-01    |
| 5-17    | 237-16357-01 | 35- 9   | 275-84527-60    | 2- 1    | 278-15111-01    |
| 18- 7   | 240-22127-00 | 1- 6    | 276-11361-00    | 2- 2    | 278-15121-01    |
| 12-24   | 246-14126-00 | 19-26   | 276-27231-00    | 2-19    | 278-15441-00    |
| 13- 8   | 246-14612-00 | 1- 8    | 278-11171-00    | 3-13    | 278-15461-00    |
| 13-10   | 246-14651-00 | 1- 7    | 278-11175-00    | 2-21    | 278-15485-00    |
| 29- 1   | 246-25111-00 | 1- 2    | 278-11181-01    | 2-17    | 278-15492-00    |

# NUMERICAL INDEX

| Ref No. | Parts No.       | Ref No. | Parts No.       | Ref No. | Parts No.       |
|---------|-----------------|---------|-----------------|---------|-----------------|
| 9- 1    | 278-15611-00-93 | 7-22    | 278-18552-00    | 23-21   | 278-23434-00    |
| 9- 7    | 278-15613-00    | 7-29    | 278-18557-00    | 23-20   | 278-23448-00    |
| 9- 5    | 278-15621-00    | 7-11    | 278-18566-00    | 26-18   | 278-24181-00    |
| 9- 3    | 278-15622-00    | 7-30    | 278-18577-03    | 28-10   | 278-24728-00    |
| 9-21    | 278-15641-00    | 17-15   | 278-21170-00-33 | 28- 7   | 278-24748-00    |
| 9-20    | 278-15643-01    | 17- 8   | 278-21240-00-33 | 28- 8   | 278-24768-01    |
| 6-38    | 278-15650-00    | 20-25   | 278-21336-00    | 29-11   | 278-25121-00    |
| 9-22    | 278-15660-01    | 19-34   | 278-21444-00    | 29-36   | 278-25181-00    |
| 9-10    | 278-15665-00    | 19-33   | 278-21445-00    | 32- 2   | 278-25304-00    |
| 9-14    | 278-15666-00    | 16-11   | 278-21472-00    | 32- 1   | 278-25311-00    |
| 9-16    | 278-15671-00    | 27-19   | 278-21745-00    | 32-11   | 278-25321-01    |
| 9-15    | 278-15676-00    | 17-16   | 278-21746-00    | 32-14   | 278-25351-00    |
| 9-17    | 278-15687-00    | 27-17   | 278-21766-00    | 32-27   | 278-25364-00    |
| 4-21    | 278-16111-00    | 27-16   | 278-21792-00    | 24- 1   | 278-26111-00    |
| 5- 1    | 278-16150-01    | 18- 1   | 278-22110-00-33 | 24-20   | 278-26249-00    |
| 5-16    | 278-16154-00    | 18-10   | 278-22210-21    | 19- 1   | 278-27111-00    |
| 5-15    | 278-16181-01    | 18-17   | 278-22316-00    | 19- 2   | 278-27112-00    |
| 5- 0-1  | 278-16301-00    | 18-15   | 278-22332-00    | 13-24   | 278-27114-00    |
| 5- 4    | 278-16367-00    | 21-14   | 278-23116-50    | 19- 4   | 278-27116-00    |
| 4-19    | 278-17424-00    | 22-14   | 278-23116-50    | 19-19   | 278-27211-00-33 |
| 6-30    | 278-17424-00    | 21-10   | 278-23141-50    | 19-20   | 278-27212-00    |
| 6-28    | 278-17425-00    | 22-10   | 278-23141-50    | 19- 5   | 278-27311-00    |
| 10- 8   | 278-17812-00    | 21-16   | 278-23142-50    | 19-42   | 278-27341-00    |
| 10- 6   | 278-17831-00    | 22-16   | 278-23142-50    | 19- 6   | 278-27317-00    |
| 10-20   | 278-17833-00    | 21-11   | 278-23144-50    | 19-10   | 278-27412-00    |
| 10- 2   | 278-17851-00    | 22-11   | 278-23144-50    | 19-12   | 278-27414-01    |
| 10- 1   | 278-17861-00    | 21- 3   | 278-23145-50    | 19-11   | 278-27416-00    |
| 8-19    | 278-18101-01    | 22- 3   | 278-23145-50    | 19-15   | 278-27451-00    |
| 8-12    | 278-18111-00-93 | 21-24   | 278-23158-50    | 15-17   | 278-81611-20    |
| 8- 9    | 278-18124-00    | 22-27   | 278-23158-50    | 15-18   | 278-81617-20    |
| 8-10    | 278-18127-00    | 21-27   | 278-23167-50    | 15- 8   | 278-81621-20    |
| 8-15    | 278-18131-00    | 21- 8   | 278-23170-50    | 15- 9   | 278-81622-20    |
| 7-27    | 278-18149-00    | 22- 8   | 278-23170-50    | 15-26   | 278-81651-20    |
| 7-24    | 278-18531-00    | 21- 7   | 278-23171-50    | 15-27   | 278-81652-20    |
| 7-25    | 278-18535-00    | 22- 7   | 278-23171-50    | 37-23   | 278-81910-21    |
| 7-13    | 278-18542-00    | 21-23   | 278-23181-50    | 37-26   | 278-81970-20    |
| 7-12    | 278-18545-00    | 22-26   | 278-23181-50    | 37-17   | 278-82341-00    |
| 7-28    | 278-18547-02    | 21-21   | 278-23346-50    | 37-27   | 278-82530-00    |

# NUMERICAL INDEX

| Ref No. | Parts No.       | Ref No. | Parts No.       | Ref No. | Parts No.       |
|---------|-----------------|---------|-----------------|---------|-----------------|
| 37-29   | 278-83350-70    | 25-18   | 306-83924-00    | 30-17   | 341-25191-01    |
| 37-19   | 278-83371-20    | 25-17   | 306-83927-00    | 31- 6   | 341-25411-00    |
|         |                 | 25-16   | 306-83928-01    | 31- 7   | 341-25412-00    |
| 1- 2    | 280-11181-01    | 35- 1   | 306-84711-60    | 30-10   | 341-25846-00    |
| 4-15    | 280-11633-00    | 12-13   | 308-14567-00-33 | 25-31   | 341-25881-00    |
| 14- 8   | 280-13178-00    | 26- 9   | 308-24623-00    | 25-33   | 341-25885-03    |
| 12- 7   | 280-14187-00    | 26-13   | 308-24624-00    | 24-35   | 341-26290-01    |
| 4-21    | 280-16111-00    | 26- 6   | 308-24641-00    | 24-36   | 341-26290-10    |
| 5- 1    | 280-16150-00    | 26- 5   | 308-24642-00    | 24-36   | 341-26290-30    |
| 5- 0-1  | 280-16301-00    | 11-16   | 314-13621-01    | 24-35   | 341-26290-40    |
| 10- 2   | 280-17851-00    | 12-25   | 316-14158-00-33 | 24-17   | 341-26329-00    |
| 21-19   | 291-23111-60    | 21-15   | 321-23115-50    | 25-24   | 341-26329-00    |
| 22-19   | 291-23111-60    | 22-15   | 321-23115-50    | 24- 4   | 341-82911-00    |
| 21-17   | 291-23118-60    | 6-23    | 328-17116-00    | 36- 2   | 341-83312-70    |
| 22-17   | 291-23118-60    | 6- 6    | 328-17216-00    | 36- 7   | 341-83312-70    |
| 21-13   | 291-23163-60    | 6-18    | 328-17216-00    | 36- 3   | 341-83313-70    |
| 22-13   | 291-23163-60    | 8- 1    | 328-18128-00    | 36- 8   | 341-83313-70    |
| 11-19   | 304-14455-70    | 8- 2    | 328-18151-00    | 36- 5   | 341-83333-70    |
| 31- 0-1 | 306-20000-51    | 7-17    | 328-18179-00    | 36-10   | 341-83333-70    |
| 22-23   | 306-23167-60    | 7- 5    | 328-18185-00    | 36-14   | 341-83348-00    |
| 22-21   | 306-23346-60    | 7- 7    | 328-18352-10    | 25-41   | 341-83909-00    |
| 30-20   | 306-25136-00    | 7-20    | 328-18511-00    | 25-19   | 341-83925-00    |
| 31- 8   | 306-25810-01    | 7-21    | 328-18512-00    | 25-40   | 341-83980-30    |
| 31-10   | 306-25811-00    | 7- 3    | 328-18561-00    | 35- 0-1 | 341-84710-00    |
| 31-15   | 306-25818-00    | 7-15    | 328-18562-00    | 35- 4   | 341-84721-00    |
| 31-13   | 306-25824-00    | 16-18   | 341-23408-00    | 35- 6   | 341-84722-60    |
| 31-14   | 306-25825-01    | 23-16   | 341-23469-00    | 35- 5   | 341-84724-60    |
| 31- 9   | 306-25827-00    | 34-15   | 341-23469-00    | 35-10   | 341-84751-61-93 |
| 31-11   | 306-25828-00    | 26-15   | 341-24602-01    | 16-20   | 341-85111-00    |
| 31-12   | 306-25829-00    | 26- 7   | 341-24612-00    | 35-11   | 341-85111-60    |
| 31- 3   | 306-25833-00    | 26-11   | 341-24628-00    | 11-17   | 345-13565-71    |
| 31- 5   | 306-25834-00    | 26-12   | 341-24637-00    | 11-11   | 345-13610-70    |
| 25-21   | 306-25867-00-98 | 26- 0-1 | 341-24653-00    | 11-13   | 345-13613-70    |
| 25-39   | 306-25871-00    | 30-26   | 341-25118-00    | 11-12   | 345-13616-70    |
| 25-37   | 306-25876-00    | 30-12   | 341-25137-00    | 20- 1   | 351-21510-00-93 |
| 25-24   | 306-25877-00    | 30-13   | 341-25147-00    | 20- 2   | 351-21513-00    |
| 25-25   | 306-25878-00    | 30-11   | 341-25149-00    | 20-13   | 351-21610-00-93 |
| 25-38   | 306-25881-00    | 30-24   | 341-25183-00    | 21- 9   | 351-23124-50    |



# NUMERICAL INDEX

| Ref No. | Parts No.       | Ref No. | Parts No.       | Ref No. | Parts No.       |
|---------|-----------------|---------|-----------------|---------|-----------------|
| 22- 9   | 351-23124-50    | 12-27   | 360-14124-20    | 6-21    | 360-17231-00    |
| 22- 1   | 351-23126-50    | 12-23   | 360-14131-00    | 6-22    | 360-17241-00    |
| 22- 2   | 351-23136-50    | 12-18   | 360-14141-38    | 6-20    | 360-17261-00    |
| 30- 2   | 351-25104-00    | 12-37   | 360-14169-00    | 6- 1    | 360-17411-00    |
| 30- 1   | 351-25111-00    | 12- 9   | 360-14181-00-33 | 6-16    | 360-17420-00    |
| 30- 7   | 351-25117-00    | 12- 9-1 | 360-14183-00-33 | 7- 9    | 360-18141-01    |
| 30-14   | 351-25135-00    | 12-10   | 360-14184-00    | 7- 1    | 360-18541-00    |
| 30-18   | 351-25138-00    | 11- 1   | 360-14411-00    | 25- 0-2 | 360-20000-10    |
| 30-21   | 351-25181-00    | 11- 7   | 360-14435-00    | 25- 0-3 | 360-20000-20    |
| 31- 1   | 351-25831-00    | 11- 9   | 360-14453-00    | 16- 1   | 360-21110-00-33 |
| 31- 2   | 351-25832-00    | 11- 8   | 360-14456-00    | 16-12   | 360-21645-00    |
| 25-36   | 351-25873-00    | 12-39   | 360-14485-00    | 27- 1   | 360-21705-00-A2 |
| 25-32   | 351-25883-01    | 13- 1   | 360-14710-01    | 27- 1   | 360-21705-00-F2 |
| 25-28   | 351-25887-01    | 13-13   | 360-14713-00    | 27- 1   | 360-21705-00-K1 |
| 25-42   | 351-82531-00    | 13-14   | 360-14714-00    | 27- 1   | 360-21705-00-M2 |
| 34-17   | 351-83550-00    | 13- 2   | 360-14720-01    | 17- 7   | 360-21717-01    |
| 14-21   | 353-13552-00    | 13- 3   | 360-14753-00    | 17- 1   | 360-21721-00-A2 |
| 28-11   | 353-24705-01    | 3-18    | 360-15363-00    | 17- 1   | 360-21721-00-F2 |
| 1- 1    | 360-11111-01    | 3- 1    | 360-15411-00    | 17- 1   | 360-21721-00-K1 |
| 1- 3    | 360-11311-00    | 3- 5    | 360-15415-00    | 17- 1   | 360-21721-00-M2 |
| 1- 4    | 360-11321-00    | 3-16    | 360-15416-00    | 27- 5   | 360-21752-00    |
| 4-14    | 360-11610-01    | 3- 8    | 360-15417-00    | 27- 9   | 360-21753-00    |
| 4-14    | 360-11610-11    | 3-10    | 360-15421-00    | 27-10   | 360-21755-00    |
| 4-14    | 360-11610-21    | 3- 6    | 360-15425-00    | 27- 2   | 360-21761-00    |
| 4- 0-2  | 360-11630-00    | 3-11    | 360-15435-00    | 27- 8   | 360-21765-00    |
| 4- 0-2  | 360-11630-10    | 5- 5    | 360-16321-00    | 27-20   | 360-21781-00    |
| 4- 0-2  | 360-11630-20    | 5- 6    | 360-16325-00    | 17- 4   | 360-21782-00    |
| 4-13    | 360-11631-00-96 | 5-19    | 360-16340-00    | 17- 5   | 360-21786-00    |
| 4-13    | 360-11631-00-98 | 5-28    | 360-16345-00    | 27-21   | 360-21786-00    |
| 4-13    | 360-11635-00    | 5- 7    | 360-16351-00    | 17- 6   | 360-21787-00    |
| 4-13    | 360-11636-00    | 5- 3    | 360-16370-00    | 27-22   | 360-21787-00    |
| 14- 0-1 | 360-13101-00    | 6- 8    | 360-17121-00    | 18-14   | 360-22311-00-93 |
| 12- 0-1 | 360-14101-00    | 6- 5    | 360-17131-00    | 22- 0-1 | 360-23101-50    |
| 12- 0-2 | 360-14102-00    | 6- 2    | 360-17141-00    | 22-30   | 360-23121-50-A2 |
| 12-19   | 360-14112-25    | 6-10    | 360-17151-00    | 22-30   | 360-23121-50-K1 |
| 12-19-1 | 360-14113-25    | 6- 7    | 360-17161-00    | 22-12   | 360-23122-51    |
| 12-20   | 360-14116-04    | 6-25    | 360-17211-00    | 22-31   | 360-23131-50-A2 |
| 12-20   | 360-14116-04    | 6-17    | 360-17221-00    | 22-31   | 360-23131-50-K1 |

# NUMERICAL INDEX

| Ref No. | Parts No.       | Ref No. | Parts No.       | Ref No. | Parts No.       |
|---------|-----------------|---------|-----------------|---------|-----------------|
| 22-20   | 360-23340-50-33 | 24- 0-1 | 360-82910-00    | 14- 0-1 | 361-13101-00    |
| 23- 9   | 360-23435-00-98 | 36- 1   | 360-83310-70-93 | 12- 0-1 | 361-14101-00    |
| 23-18   | 360-23441-00-98 | 36-11   | 360-83316-00    | 12- 0-2 | 361-14102-00    |
| 23-17   | 360-23452-00    | 36-13   | 360-83321-00    | 17- 5   | 361-21786-00    |
| 34-16   | 360-23452-00    | 36-12   | 360-83326-00    | 27-21   | 361-21786-00    |
| 26- 1   | 360-24110-11-01 | 36- 6   | 360-83330-20-93 | 21- 0-1 | 361-23101-50    |
| 26- 1   | 360-24110-11-03 | 34- 8   | 360-83507-00    | 21-30   | 361-23121-50-F2 |
| 26- 1   | 360-24110-11-04 | 34- 9   | 360-83508-00    | 21-30   | 361-23121-50-M2 |
| 26- 1   | 360-24110-11-05 | 34- 7   | 360-83509-40    | 21-12   | 361-23122-51    |
| 26- 4   | 360-24143-00    | 34- 2   | 360-83510-20    | 21- 1   | 361-23126-50    |
| 26- 2   | 360-24161-11    | 34- 4   | 360-83513-00    | 21-31   | 361-23131-50-F2 |
| 26- 3   | 360-24162-11    | 34- 1   | 360-83519-40-98 | 21-31   | 361-23131-50-M2 |
| 28- 1   | 360-24730-10    | 34- 5   | 360-83523-00    | 21- 2   | 361-23136-50    |
| 32-28   | 360-25440-20    | 34- 3   | 360-83540-00    | 21-20   | 361-23340-50-33 |
| 25- 0-1 | 360-25850-00    | 34-12   | 360-83547-00    | 23- 9   | 361-23435-00-98 |
| 25-11   | 360-25852-00    | 34-18   | 360-83560-00    | 24-27   | 361-26341-00    |
| 25-14   | 360-25853-00    | 34- 2   | 360-83570-40    | 24- 0-2 | 361-82920-90    |
| 25-13   | 360-25854-00    | 25-15   | 360-83922-00    | 24-10   | 361-82921-30    |
| 25-12   | 360-25855-00    | 24- 3   | 360-83972-01    | 34-17   | 361-83550-00    |
| 25-26   | 360-25862-00    | 24-18   | 360-83975-01    | 24-16   | 361-83980-30    |
| 25-27   | 360-25872-00    | 33- 0-1 | 360-84310-00    | 12-26   | 802-14161-00    |
| 24-23   | 360-26261-00    | 33- 1   | 360-84330-61-A2 | 12-28   | 802-14169-00    |
| 24-22   | 360-26311-00    | 33- 1   | 360-84330-61-F2 | 12-31   | 802-14173-00    |
| 24-24   | 360-26312-00    | 33- 1   | 360-84330-61-K1 | 15- 4   | 802-84131-00    |
| 24-25   | 360-26321-00    | 33- 1   | 360-84330-61-M2 | 16-21   | 803-82591-00    |
| 24-26   | 360-26335-00    | 37-33   | 360-84708-00    | 28-15   | 90890-55022     |
| 17-18   | 360-28100-10    | 1- 1    | 361-11111-01    | 25-39   | 91101-06012     |
| 15- 0-1 | 360-81600-22    | 1- 3    | 361-11311-00    | 28- 3   | 91101-06012     |
| 15- 2   | 360-81610-22    | 1- 4    | 361-11321-00    | 8-14    | 91101-06020     |
| 15-16   | 360-81619-20    | 4-14    | 361-11610-01    | 20-20   | 91101-06020     |
| 15-23   | 360-81625-20    | 4-14    | 361-11610-11    | 27-11   | 91101-06020     |
| 15- 3   | 360-81640-20    | 4-14    | 361-11610-21    | 19-22   | 91101-06025     |
| 15- 1   | 360-81650-20    | 4- 0-2  | 361-11630-00    | 25-22   | 91101-06025     |
| 37- 5   | 360-82117-00    | 4- 0-2  | 361-11630-10    | 25-34   | 91101-06025     |
| 37- 6   | 360-82119-00    | 4- 0-2  | 361-11630-20    | 2-10    | 91101-06045     |
| 37-10   | 360-82508-41    | 4-13    | 361-11631-00-96 | 2- 9    | 91101-06055     |
| 37-13   | 360-82517-00    | 4-13    | 361-11631-00-98 | 2- 8    | 91101-06090     |
| 37- 9   | 360-82590-41    | 4-13    | 361-11635-00    | 16-10   | 91101-10195     |
|         |                 | 4-13    | 361-11636-00    |         |                 |

# NUMERICAL INDEX

| Ref No. | Parts No.   | Ref No. | Parts No.   | Ref No. | Parts No.   |
|---------|-------------|---------|-------------|---------|-------------|
| 20- 3   | 91103-06012 | 18-19   | 92503-06018 | 25-23   | 92901-06100 |
| 20- 5   | 91103-06015 | 3- 4    | 92506-06020 | 25-30   | 92901-06100 |
| 32-18   | 91103-06025 | 3-15    | 92506-06030 | 25-35   | 92901-06100 |
| 29-29   | 91103-06030 | 3- 3    | 92506-06035 | 27- 7   | 92901-06100 |
| 10-17   | 91201-06010 | 3-17    | 92506-06035 | 28- 4   | 92901-06100 |
| 28-12   | 91201-06010 | 3-14    | 92506-06040 | 28-13   | 92901-06100 |
| 20-14   | 91201-10035 | 3- 7    | 92506-06060 | 29-31   | 92901-06100 |
| 16- 6   | 91201-10055 | 7-16    | 92701-06015 | 35-18   | 92901-06100 |
| 24- 6   | 91203-06020 | 16- 8   | 92801-10200 | 37-15   | 92901-06100 |
| 24-12   | 91203-06020 | 19-14   | 92801-10200 | 37-25   | 92901-06100 |
| 35-14   | 91203-06025 | 19- 7   | 92801-10500 | 37-31   | 92901-06100 |
| 11-18   | 91306-06025 | 23-24   | 92802-10300 | 2-11    | 92901-06200 |
| 5-27    | 91401-10010 | 29-42   | 92803-06300 | 19-28   | 92901-06200 |
| 14-18   | 91401-12018 | 18-13   | 92803-10700 | 28-14   | 92901-06200 |
| 19-41   | 91401-16012 | 31-18   | 92803-10700 | 29-32   | 92901-06200 |
| 24-33   | 91401-20012 | 23-14   | 92803-16700 | 13-12   | 92901-08100 |
| 32-45   | 91401-20015 | 11-15   | 92901-03100 | 13-16   | 92901-08100 |
| 19- 8   | 91401-20025 | 15- 6   | 92901-04100 | 15-28   | 92901-08100 |
| 19-29   | 91401-25012 | 15-11   | 92901-04100 | 16- 3   | 92901-08100 |
| 7-23    | 91401-25020 | 15-15   | 92901-04100 | 16-14   | 92901-08100 |
| 19- 3   | 91401-30025 | 15-21   | 92901-04100 | 19-36   | 92901-08100 |
| 29-39   | 91401-30028 | 15-25   | 92901-04100 | 20- 8   | 92901-08100 |
| 30-22   | 91401-30028 | 34-14   | 92901-04100 | 21-29   | 92901-08100 |
| 32-40   | 91401-30028 | 15- 5   | 92901-04200 | 22-25   | 92901-08100 |
| 28- 5   | 91501-05055 | 15-12   | 92901-04200 | 23-13   | 92901-08100 |
| 19-40   | 91501-06035 | 15-22   | 92901-04200 | 32-47   | 92901-08100 |
| 2- 3    | 91810-05016 | 14-14   | 92901-05100 | 36-16   | 92901-08100 |
| 3- 2    | 91810-05016 | 15-30   | 92901-05100 | 37-21   | 92901-08100 |
| 3-12    | 91810-05016 | 37-12   | 92901-05100 | 2- 6    | 92901-08200 |
| 26-16   | 92501-04018 | 8- 8    | 92901-06100 | 20- 9   | 92901-08200 |
| 13- 4   | 92501-06010 | 10-18   | 92901-06100 | 32-43   | 92901-08200 |
| 37-30   | 92501-06012 | 13- 5   | 92901-06100 | 35-22   | 92901-08200 |
| 17- 2   | 92501-06020 | 17-11   | 92901-06100 | 37-22   | 92901-08200 |
| 17-10   | 92501-06020 | 18-20   | 92901-06100 | 14- 9   | 92901-08400 |
| 18-18   | 92501-06020 | 19-23   | 92901-06100 | 13-18   | 92901-10100 |
| 27- 6   | 92501-06020 | 20-12   | 92901-06100 | 16- 7   | 92901-10100 |
| 37-24   | 92501-06030 | 23-28   | 92901-06100 | 19-13   | 92901-10100 |
| 26-24   | 92501-06035 | 24-15   | 92901-06100 | 20-15   | 92901-10100 |

# NUMERICAL INDEX

| Ref No. | Parts No.   | Ref No. | Parts No.   | Ref No. | Parts No.   |
|---------|-------------|---------|-------------|---------|-------------|
| 21-22   | 92901-10100 | 4-10    | 93306-20604 | 6-15    | 93440-52009 |
| 23-23   | 92901-10100 | 29- 8   | 93306-30201 | 23- 3   | 93501-04011 |
| 31-16   | 92901-10100 | 29- 9   | 93306-30203 | 5-11    | 93505-16006 |
| 13-19   | 92901-10200 | 30-23   | 93306-30301 | 14-23   | 93505-32002 |
| 20-16   | 92901-10200 | 30- 9   | 93306-30303 | 9- 4    | 93507-32009 |
| 31-17   | 92901-10200 | 32-10   | 93306-30303 | 2-14    | 93603-14026 |
| 22-22   | 92901-12100 | 6-31    | 93306-30504 | 10- 3   | 93603-22028 |
| 29-37   | 92901-14200 | 4-11    | 93306-30508 | 14- 3   | 93603-22028 |
| 30-27   | 92901-14200 | 4-12    | 93310-21679 | 7-19    | 93604-08071 |
| 35-12   | 92903-05100 | 4-12    | 93310-21680 | 7- 6    | 93604-14012 |
| 34-11   | 92903-05200 | 6-24    | 93310-22057 | 7- 2    | 93604-22050 |
| 20- 4   | 92903-06100 | 4- 7    | 93310-42231 | 18- 9   | 93700-06001 |
| 24- 9   | 92903-06100 | 6-12    | 93311-22005 | 19-21   | 93700-06001 |
| 20- 6   | 92903-06200 | 6-27    | 93311-42006 | 29- 3   | 94130-18039 |
| 14-16   | 93101-10001 | 7- 8    | 93315-23612 | 30- 3   | 94130-18108 |
| 14- 5   | 93101-10002 | 6-40    | 93410-15005 | 32- 4   | 94132-18089 |
| 8-18    | 93101-12004 | 6-11    | 93410-20009 | 32- 4   | 94135-18107 |
| 29-10   | 93102-22014 | 6-26    | 93410-20009 | 29- 4   | 94230-18012 |
| 30-25   | 93102-28022 | 9-13    | 93410-20009 | 30- 4   | 94230-18012 |
| 32-24   | 93102-32037 | 29-15   | 93410-22014 | 32- 5   | 94232-18020 |
| 6-32    | 93102-35054 | 7-10    | 93410-30012 | 32- 5   | 94235-18022 |
| 4-17    | 93103-20076 | 21- 6   | 93420-28025 | 29- 6   | 94330-18010 |
| 4-20    | 93103-40077 | 22- 6   | 93420-28025 | 30- 6   | 94330-18010 |
| 29-24   | 93104-07003 | 32-32   | 93420-52014 | 32- 7   | 94332-18016 |
| 9- 9    | 93104-20007 | 26-10   | 93430-02001 | 32- 7   | 94335-18018 |
| 32-34   | 93104-25008 | 26-14   | 93430-02001 | 29- 5   | 94416-18013 |
| 30-16   | 93105-45017 | 29-45   | 93430-04003 | 30- 5   | 94416-18068 |
| 29-20   | 93105-53013 | 26- 8   | 93430-06005 | 32- 6   | 94418-18026 |
| 10-13   | 93210-07100 | 8- 4    | 93430-07012 | 32-49   | 94585-30092 |
| 10-11   | 93210-13016 | 10- 5   | 93430-08006 | 32-50   | 94685-30011 |
| 29-25   | 93210-14104 | 14- 6   | 93430-08006 | 1- 9    | 94701-00041 |
| 3-19    | 93210-27194 | 7-26    | 93430-10016 | 20- 7   | 97101-08018 |
| 7-33    | 93210-29147 | 8-16    | 93430-10016 | 9- 6    | 97101-08030 |
| 32-25   | 93210-55051 | 9- 8    | 93430-10016 | 16- 9   | 97103-08055 |
| 5- 2    | 93211-15149 | 10- 7   | 93430-10016 | 13-15   | 97201-08015 |
| 12-35   | 93220-09001 | 6- 4    | 93440-25008 | 37-20   | 97201-08018 |
| 6-14    | 93305-20502 | 6-19    | 93440-25008 | 16-13   | 97201-08020 |
| 32-33   | 93306-20503 | 9-18    | 93440-25008 | 19-35   | 97201-08020 |

# NUMERICAL INDEX

| Ref No. | Parts No.   | Ref No. | Parts No.   | Ref No. | Parts No. |
|---------|-------------|---------|-------------|---------|-----------|
| 23-10   | 97203-08055 | 35-13   | 98803-05100 |         |           |
| 15-10   | 98501-04008 | 34-10   | 98803-05700 |         |           |
| 15-14   | 98501-04008 | 29-30   | 98803-06100 |         |           |
| 15-20   | 98501-04008 | 2- 7    | 98803-08200 |         |           |
| 15-24   | 98501-04008 | 13-11   | 98803-08200 |         |           |
| 34-13   | 98501-04008 | 23-12   | 98803-08700 |         |           |
| 15-19   | 98501-04012 | 14-20   | 98901-04008 |         |           |
| 2-18    | 98501-05010 |         |             |         |           |
| 7-18    | 98501-05010 |         |             |         |           |
| 5-22    | 98501-05012 |         |             |         |           |
| 14-11   | 98501-05015 |         |             |         |           |
| 37-11   | 98501-05018 |         |             |         |           |
| 3- 9    | 98506-05020 |         |             |         |           |
| 11-14   | 98512-03008 |         |             |         |           |
| 7-14    | 98701-05012 |         |             |         |           |
| 10- 9   | 98701-05012 |         |             |         |           |
| 7- 4    | 98701-05020 |         |             |         |           |
| 7-34    | 98701-05020 |         |             |         |           |
| 15- 7   | 98801-04100 |         |             |         |           |
| 14-15   | 98801-05200 |         |             |         |           |
| 8- 7    | 98801-06100 |         |             |         |           |
| 20-11   | 98801-06100 |         |             |         |           |
| 31- 4   | 98801-06100 |         |             |         |           |
| 35-19   | 98801-06100 |         |             |         |           |
| 37-16   | 98801-06200 |         |             |         |           |
| 19-25   | 98801-06300 |         |             |         |           |
| 24- 8   | 98801-06300 |         |             |         |           |
| 24-14   | 98801-06300 |         |             |         |           |
| 25-20   | 98801-06300 |         |             |         |           |
| 16- 4   | 98801-08100 |         |             |         |           |
| 21-28   | 98801-08100 |         |             |         |           |
| 22-24   | 98801-08100 |         |             |         |           |
| 32-44   | 98801-08100 |         |             |         |           |
| 36-17   | 98801-08100 |         |             |         |           |
| 14-10   | 98801-08300 |         |             |         |           |
| 19-18   | 98801-08300 |         |             |         |           |
| 32-22   | 98801-08300 |         |             |         |           |
| 32-48   | 98801-08300 |         |             |         |           |



**YAMAHA MOTOR CO., LTD.**

**PRINTED IN JAPAN**

**First edition Dec., 1972**

**(360-00)**