



# YAMAHA

## PARTS LIST

MODEL **RD250(S)** ('77)  
(TYPE 1A2)  
(TYPE 1N9)

MODEL **RD400(S)** ('77)  
(TYPE 1A3)

**FOR EUROPE**

**YAMAHA MOTOR CO., LTD.**

COPY RIGHT: ALL RIGHTS RESERVED

NO PART OF THIS PUBLICATION MAY BE REPRODUCED WITHOUT PERMISSION.



RD250



RD400

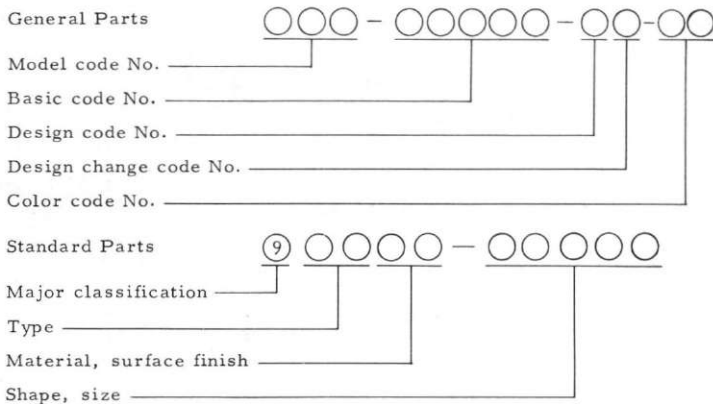


## FOREWORD

This Parts List relates to the Parts in use for the YAMAHA SPORTS RD250(S), RD400(S). When you ordering replacement parts for RD250(S), RD400(S), refer to this Parts List and quote both parts numbers and part names correctly.

### 1. Structure of Part No.

Yamaha parts are divided largely into two categories; general parts and standard parts, and each part No. has the following structure:



Note: Every standard No. begins with 9.

### 2. How to Use this Parts List

- (1) Except for steel balls (whose size is indicated in inches), the size of all parts is indicated in millimeters in the following manner.

Hose (rubber or vinyl) . . . . Inside diameter - length

O-ring . . . . . Section area - inside diameter

Washer, shim, collar . . . . Inside diameter - outside diameter -  
thickness (length)

- (2) Parts, which are to be supplied in the form of assemblies, are listed with an indentation of one letter's space, and a dot (.) is put

against the name of each part. If any two different assemblies (e.g., right and left side components) consist of almost the same type components, these two assemblies are listed in two lines, and then the names of component parts are listed in the subsequent lines with an indentation as mentioned earlier. The quantity of parts is given in the following manner; that is, in the case of parts being the same in type between the right and left, a total quantity of parts is given. On the other hand, if the right and left side parts are different in type, the quantity of part(s) on each side is given.

Example

Description	Q'ty
CARBURETOR ASS'Y, left	1
CARBURETOR ASS'Y, right	1
. JET, pilot	2
. NOZZLE, main	2
⋮	
⋮	
⋮	
. LEVER, starter, left	1
. LEVER, starter, right	1

(3) Key to Symbols

U.R. ....	Use size (thickness) and/or number as required
U.N. ....	Use as many as you need
T .....	Number of teeth in a gear
V .....	Voltage for light bulbs
S .....	"S" type oil seal or "S" type circlip
SD .....	"SD" type oil seal
SO .....	"SO" type oil seal
SW .....	"SW" type oil seal
E .....	"E" type circlip
R .....	"R" type circlip
F/No. ....	Frame No. (Applicable machine No.)

- (4) The parts marked with "X" in your country column are exclusive for your country, therefore, you should place an order only those parts. Meanwhile, the other parts are common for all European countries, and then we do not mention the names of countries.
- (5) The parts marked with \* in the remark column of this list are not supplied with by Yamaha, those have to be found locally.
- (6) Please be advised that we supply you with Head Lamp Unit Ass'y, Tail Lamp Unit Ass'y and Flasher Lamp Ass'y without bulbs.
- (7) The right and left in relation to parts are determined on the basis of the rider facing toward the front.
- (8) This Parts List is based on the model in the production line on Nov., 10, 1976. Accordingly, if any modifications which have been made to parts will be announced in the Yamaha Parts News. It is advisable that according to the Yamaha Parts News, you will make necessary corrections to the Parts List on hand to keep it up-to dated.



# CONTENTS

## ENGINE

Fig. 1	Cylinder Head · Cylinder .....	1
Fig. 2	Crankcase .....	3
Fig. 3	Crankcase Cover .....	7
Fig. 4	Crank · Piston .....	9
Fig. 5	Clutch .....	15
Fig. 6	Transmission .....	19
Fig. 7	Shifter 1 .....	23
Fig. 8	Shifter 2 .....	27
Fig. 9	Kick Starter .....	29
Fig. 10	Tachometer Gear .....	31
Fig. 11	Intake .....	33
Fig. 12	Carburetor .....	37
Fig. 13	Exhaust .....	41
Fig. 14	Oil Pump .....	45
Fig. 15	A. C. Generator .....	47

## CHASSIS

Fig. 16	Frame .....	53
Fig. 17	Side Cover · Box .....	57
Fig. 18	Rear Arm · Rear Cushion · Chain Case .....	59
Fig. 19	Stand · Footrest .....	61
Fig. 20	Brake Pedal · Master Cylinder .....	65
Fig. 21	Front Fender · Rear Fender .....	69
Fig. 22	Front Fork .....	73
Fig. 23	Steering .....	77
Fig. 24	Handle · Wire .....	79
Fig. 25	Master Cylinder · Brake Hose .....	81
Fig. 26	Fuel Tank .....	85
Fig. 27	Oil Tank .....	89



Fig. 28	Seat .....	91
Fig. 29	Front Wheel (Casting Wheel Type) .....	95
Fig. 30	Front Wheel (Spoke Wheel Type ALTERNATE PARTS ENGLAND Only)	97
Fig. 31	Front Disk Brake · Caliper .....	101
Fig. 32	Rear Wheel (Casting Wheel Type) .....	103
Fig. 33	Rear Wheel (Spoke Wheel Type ALTERNATE PARTS ENGLAND Only)	107
Fig. 34	Rear Disk Brake · Caliper .....	111
Fig. 35	Head Lamp 1 .....	113
Fig. 36	Head Lamp 2 .....	115
Fig. 37	Head Lamp 3 .....	117
Fig. 38	Speedometer · Tachometer .....	119
Fig. 39	Tail Lamp .....	123
Fig. 40	Flasher Lamp 1 .....	125
Fig. 41	Flasher Lamp 2 .....	127
Fig. 42	Electrical .....	129

## REPAIR KIT

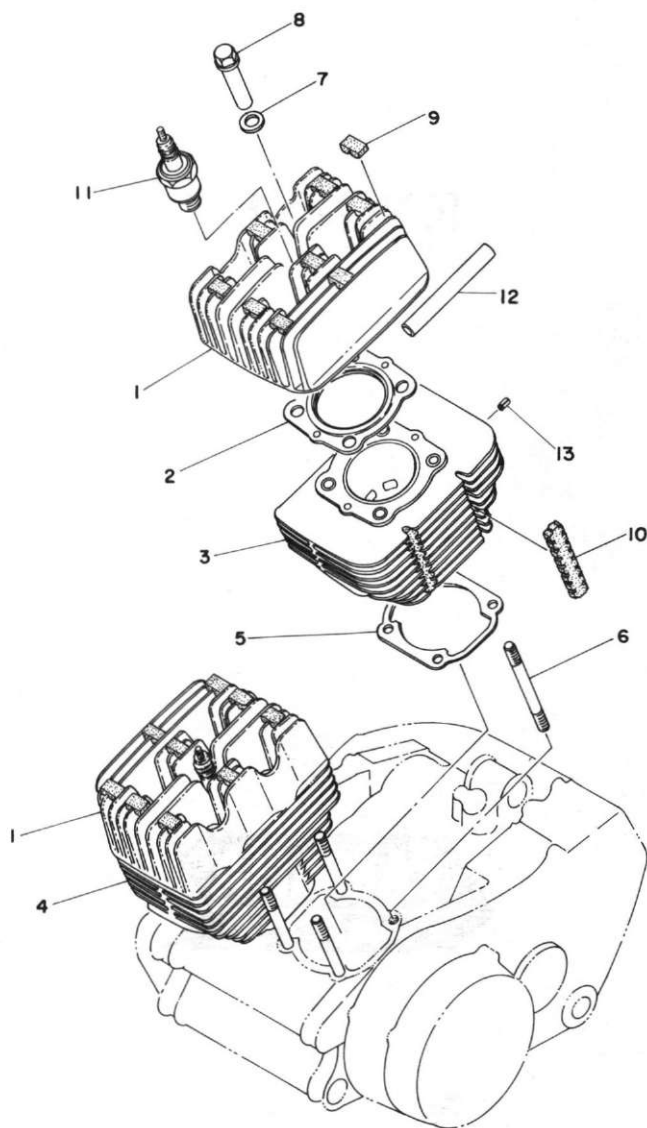
Fig. 43	Repair Kit .....	135
---------	------------------	-----

## NUMERICAL INDEX

# ENGINE



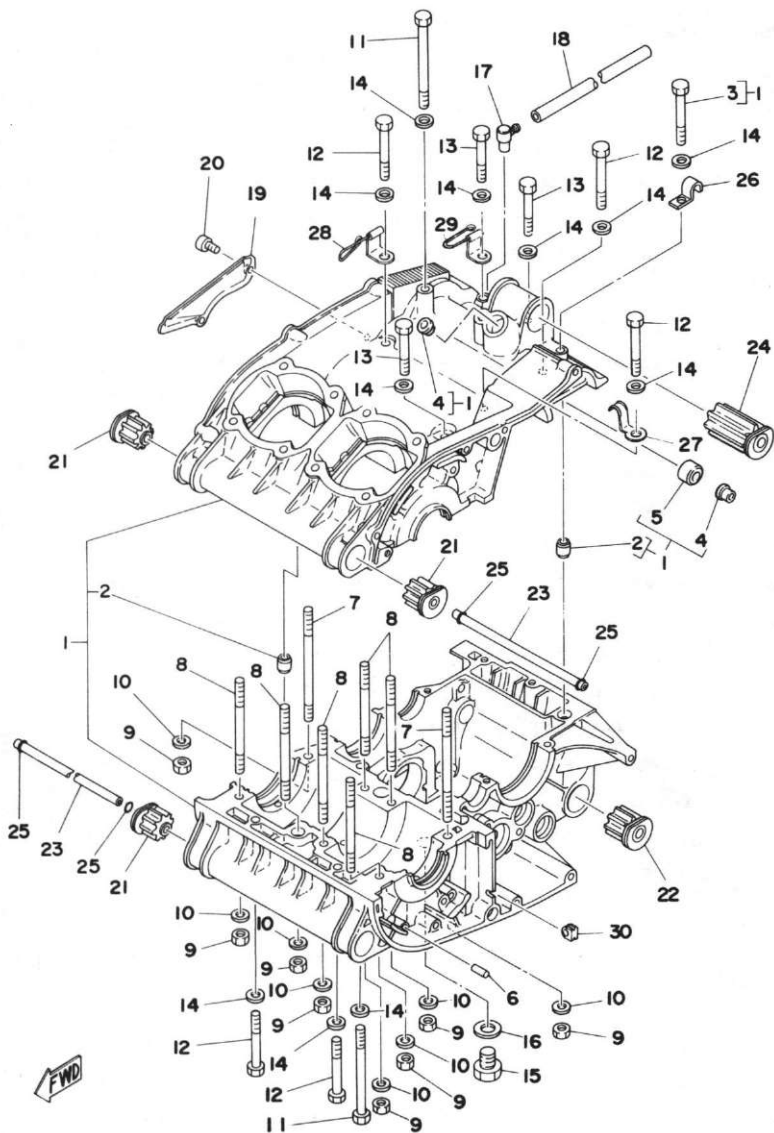
Fig. 1 CYLINDER HEAD · CYLINDER



FWD

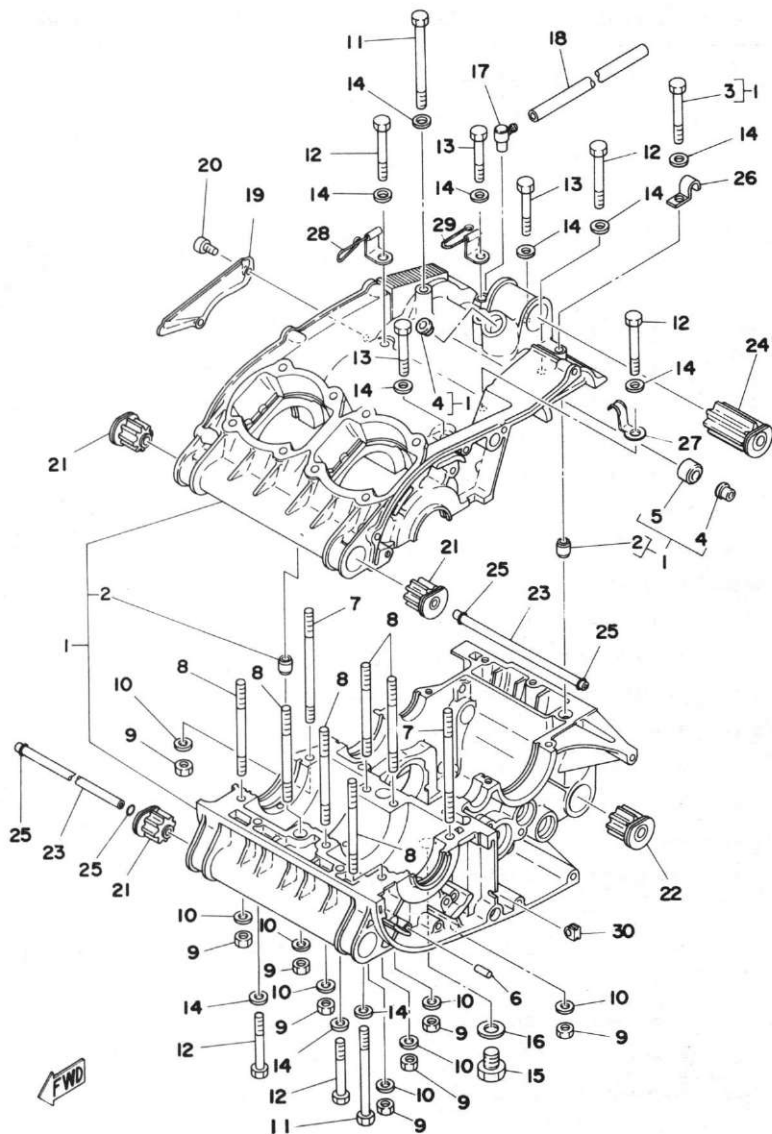
Ref. No.	Parts No.	Description	Q'ty												Remarks		
				250	400												
1- 1	1A2-11111-00	HEAD, cylinder .....	2	x	x	x	x	x	x	x	x	x	x	x	x	x	
	1A3-11111-01	HEAD, cylinder .....	2	x	x	x	x	x	x	x	x	x	x	x	x	x	
1- 2	1A2-11181-00	GASKET, cylinder head ....	2	x	x		x	x			x	x	x				
	1N9-11181-00	GASKET, cylinder head ....	2				x										
	1A3-11181-00	GASKET, cylinder head ....	2	x	x	x		x	x		x	x	x	x	x	x	
1- 3	1A2-11311-00	CYLINDER, left .....	1	x	x	x	x	x			x	x	x				
	1A3-11311-00	CYLINDER, left .....	1	x	x	x		x	x		x	x	x	x	x	x	
1- 4	1A2-11321-00	CYLINDER, right .....	1	x	x	x	x	x			x	x	x				
	1A3-11321-00	CYLINDER, right .....	1	x	x	x		x	x		x	x	x	x	x	x	
1- 5	278-11351-01	GASKET, cylinder .....	2	2	x	x	x	x	x	x	x	x	x	x	x	x	
1- 6	90116-08065	BOLT, stud (276-11361-00)..	8		x	x	x	x	x		x	x	x				
	90116-08232	BOLT, stud .....	8		x	x	x		x	x		x	x	x	x	x	
1- 7	90201-12362	WASHER, plate (278-11175-00)	8	8	x	x	x	x	x	x	x	x	x	x	x	x	
1- 8	90179-08026	NUT (278-11171-00) .....	8	8	x	x	x	x	x	x	x	x	x	x	x	x	
1- 9	521-11161-01	ABSORBER 1 .....	18	18	x	x	x	x		x	x	x	x	x	x	x	
	521-11161-01	ABSORBER 1 .....	18	24						x							
1-10	1A0-11162-02	ABSORBER 2 .....	4	4	x	x	x	x	x	x	x	x	x	x	x	x	
1-11	94701-00045	PLUG, spark (B-8ES) .....	2	2	x	x	x	x	x	x	x	x	x	x	x	x	
	94701-00044	PLUG, spark (B-7ES) .....	2													x	
1-12	1A3-11161-10	ABSORBER 1 .....	4							x							
1-13	91609-30010	PIN, spring .....	2		x	x	x		x	x		x	x	x	x	x	

Fig. 2 CRANKCASE



Ref. No.	Parts No.	Description	Q'ty		Remarks
			250	400	
2- 1	1A0-15100-01	CRANKCASE ASS'Y	1		
	1A1-15100-01	CRANKCASE ASS'Y	1		
2- 2	91830-22016	. PIN, dowel (8.4-12-16)	2	2	
2- 3	97321-06055	. BOLT, hexagon	1	1	
2- 4	90381-08002	. BUSHING	2	2	
2- 5	90380-14040	. BUSHING (278-17833-00)	1	1	
2- 6	93603-14026	PIN, dowel (3-14)	1	1	
2- 7	90116-08232	BOLT, stud	2	2	
2- 8	90116-08064	BOLT, stud (248-11361-00)	6	6	
2- 9	95301-08600	NUT, hexagon	8	8	
2-10	92901-08200	WASHER, plain	8	8	
2-11	97321-06090	BOLT, hexagon	1	2	
2-12	97321-06055	BOLT, hexagon	3	5	
2-13	97321-06045	BOLT, hexagon	3	3	
2-14	92901-06200	WASHER, plain	8	11	
2-15	90340-14034	PLUG, drain (431-15351-00)	1	1	
2-16	137-15353-00	GASKET, drain plug (14-21-1.5)	1	1	
2-17	498-15371-00	BREATHER	1	1	
2-18	90446-07008	HOSE (248-15373-00 5-150)	1	1	
2-19	278-15492-01	COVER	1	1	
2-20	98501-05010	SCREW, panhead	2	2	
2-21	1A1-15316-00	DAMPER, engine mount	4		
2-22	1A1-15326-00	DAMPER, engine mount	2		
2-23	1A1-15317-00	SPACER, engine mount	2		
2-24	1A1-15336-00	DAMPER, engine mount	2		
2-25	93210-11073	O-RING (2.4-10.8)	4		
2-26	90462-05004	CLAMP (278-15485-00)	1	1	
2-27	90462-06025	CLAMP	1	1	
2-28	90465-06093	CLAMP	1	1	

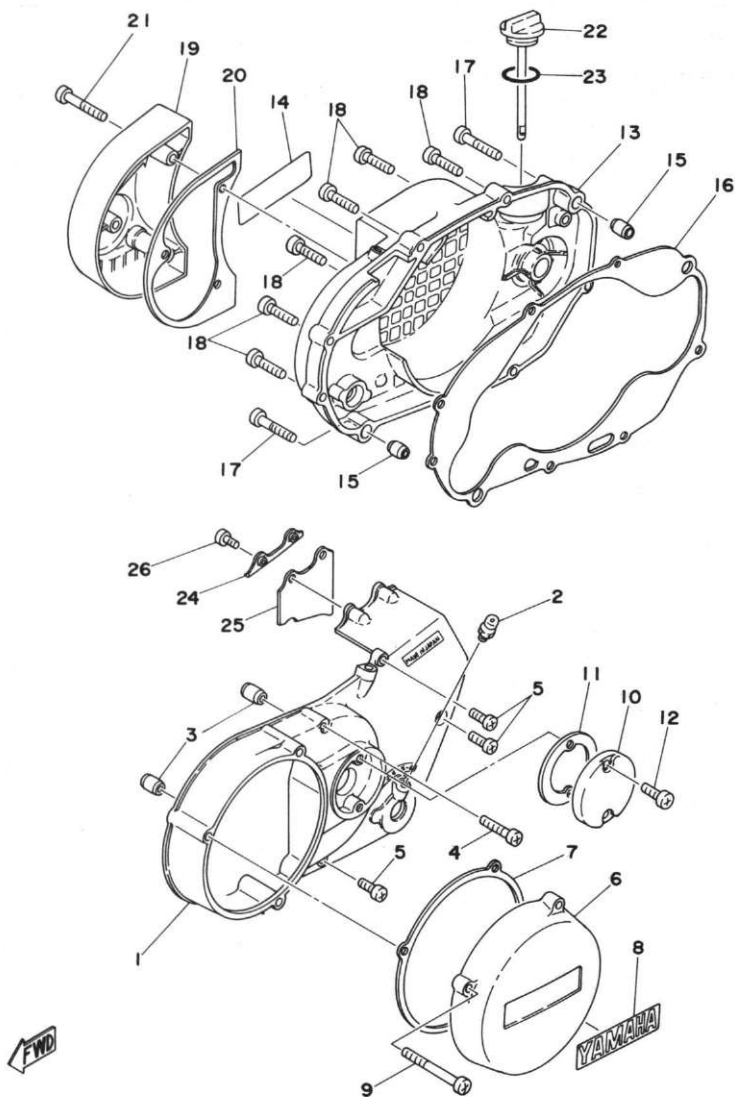
Fig. 2 CRANKCASE



Ref. No.	Parts No.	Description	Q'ty		Applicable Machine No.	Remarks
			250	400		
2-29	90465-06094	CLAMP .....	1	1		
2-30	90480-01148	GROMMET (136-82545-00) ...	1	1		

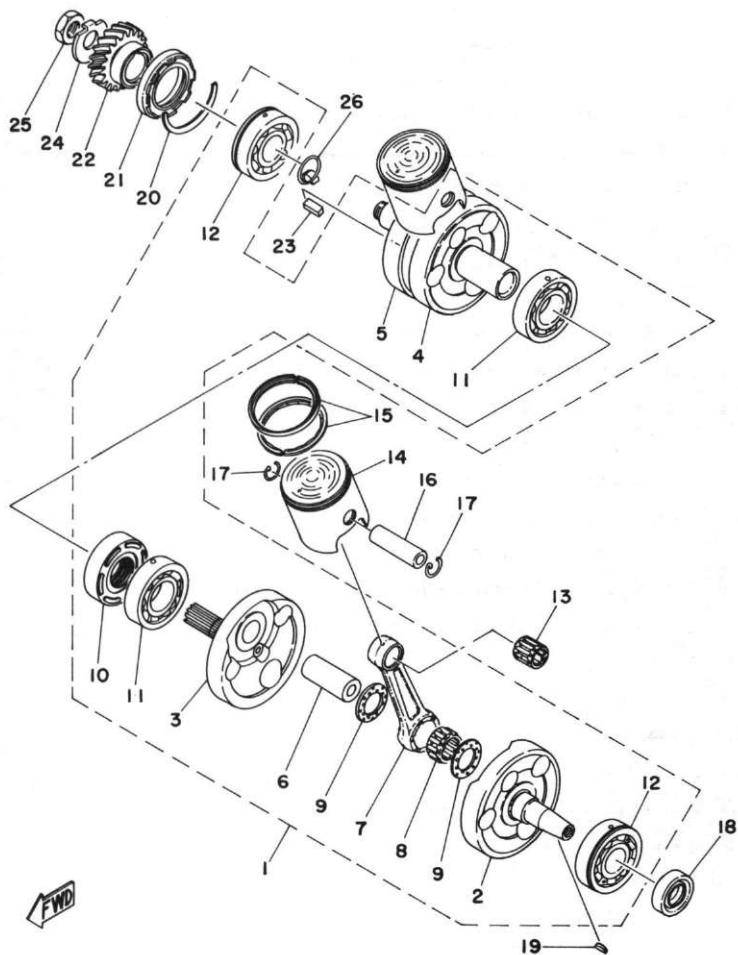


Fig. 3 CRANKCASE COVER



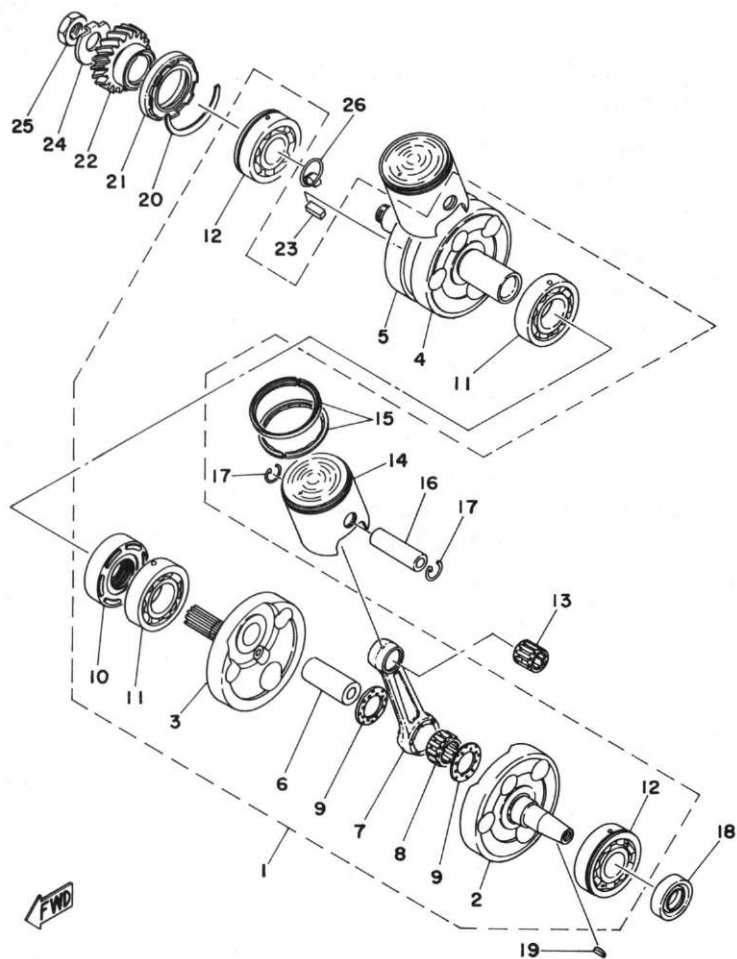
Ref. No.	Parts No.	Description	Q'ty		Applicable Machine No.	Remarks
			250	400		
3- 1	1A0-15411-00	COVER, crankcase left	.....	1		
	1A1-15411-00	COVER, crankcase left	.....	1		
3- 2	93700-06004	NIPPLE, grease	.....	1		
3- 3	91830-22016	PIN, dowel (8.4-12-16)	.....	2	2	
3- 4	92506-06035	SCREW, panhead	.....	1	1	
3- 5	92506-06020	SCREW, panhead	.....	3	3	
3- 6	1A0-15415-00	COVER, generator	.....	1	1	
3- 7	1A0-15455-00	GASKET, generator cover	...	1	1	
3- 8	1A0-15435-00	EMBLEM	.....	1	1	
3- 9	92506-06070	SCREW, panhead	.....	3	3	
3-10	1A0-15417-00	COVER, cap	.....	1	1	
3-11	1A0-15457-00	GASKET, cap cover	.....	1	1	
3-12	92506-06020	SCREW, panhead	.....	2	2	
3-13	1A0-15421-00	COVER, crankcase right	.....	1	1	
3-14	1A0-15435-00	EMBLEM	.....	1	1	
3-15	91830-22016	PIN, dowel	.....	2	2	
3-16	1A0-15461-00	GASKET, crankcase cover right		1	1	
3-17	92506-06040	SCREW, panhead	.....	2	2	
3-18	92506-06030	SCREW, panhead	.....	7	7	
3-19	1A0-15416-00	COVER, oil pump	.....	1	1	
3-20	1A0-15456-00	GASKET, oil pump cover	....	1	1	
3-21	92506-06045	SCREW, panhead	.....	3	3	
3-22	360-15363-00	PLUG, oil level	.....	1	1	
3-23	93210-27194	O-RING (2.5-27)	.....	1	1	
3-24	1A0-15491-00	PROTECTOR, cover	.....	1	1	
3-25	1A0-15497-00	PLATE, dust seal	.....	1	1	
3-26	98506-05012	SCREW, panhead	.....	2	2	

Fig. 4 CRANK · PISTON



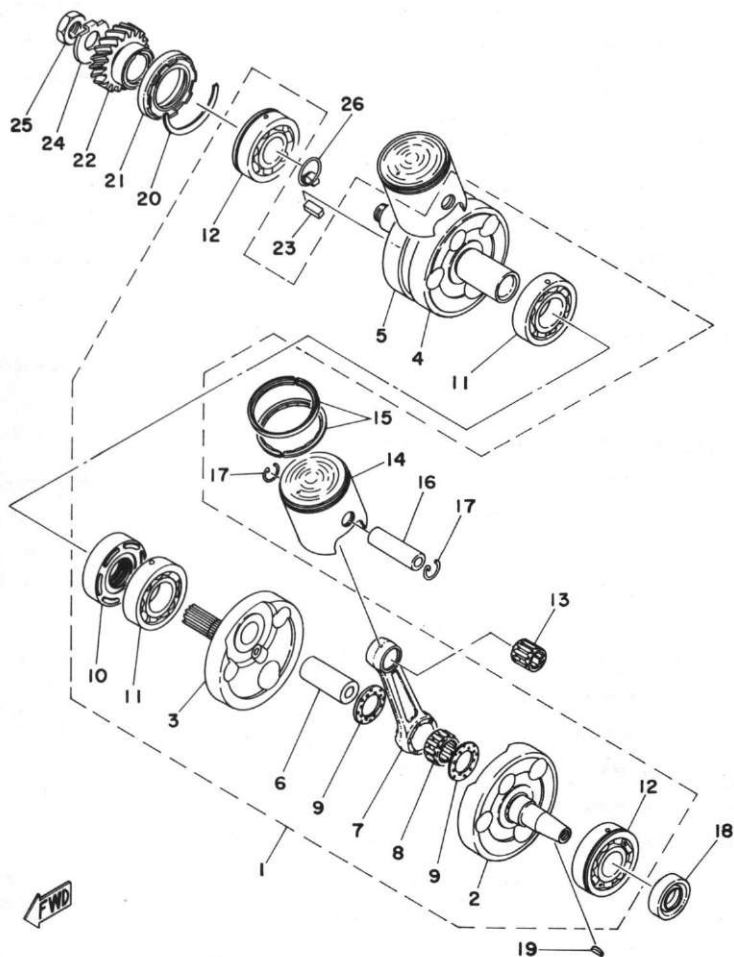
Ref. No.	Parts No.	Description	Q'ty		Remarks
			250	400	
4- 1	360-11400-00	CRANK ASS'Y	1		
	1A1-11400-01	CRANK ASS'Y	1		
4- 2	278-11412-00	. CRANK 1, left	1		
	1A1-11412-01	. CRANK 1, left	1		
4- 3	278-11422-00	. CRANK 1, right	1		
	1A1-11422-01	. CRANK 1, right	1		
4- 4	278-11432-00	. CRANK 2, left	1		
	1A1-11432-01	. CRANK 2, left	1		
4- 5	278-11442-00	. CRANK 2, right	1		
	1A1-11442-01	. CRANK 2, right	1		
4- 6	278-11681-00	. PIN, crank	2		
	1A1-11681-00	. PIN, crank	2		
4- 7	360-11651-00	. ROD, connecting	2		
	1A1-11651-00	. ROD, connecting	2		
4- 8	93310-42231	. BEARING, con-rod big end	2	2	
4- 9	90209-22071	. WASHER (164-11685-00)	4	4	
4-10	278-11515-00	. SEAL, labyrinth	1	1	
4-11	93306-20604	. BEARING (6206 C3 special)	2	2	
4-12	93306-30508	. BEARING (6305 C3 special)	2	2	
4-13	93310-216A3	BEARING, con-rod small end	2		
	93310-216E1	BEARING, con-rod small end	2		

Fig. 4 CRANK · PISTON



Ref. No.	Parts No.	Description	Q'ty		Applicable Machine No.	Remarks
			250	400		
4-14	1A0-11631-00-96	PISTON (53.96mm STD) . . . . .	} U.R.	2		
	1A0-11631-00-98	PISTON (53.98mm STD) . . . . .				
	1A0-11635-00	PISTON (54.25mm 1st O.S) . . . . .	2	Alternate Parts		
	1A0-11636-00	PISTON (54.50mm 2nd O.S) . . . . .	2	Alternate Parts		
	1A0-11637-00	PISTON (54.75mm 3rd O.S) . . . . .	2	Alternate Parts		
	1A0-11638-00	PISTON (55.00mm 4th O.S) . . . . .	2	Alternate Parts		
	1A1-11631-00-96	PISTON (63.96mm STD) . . . . .	} U.R.	2		
	1A1-11631-00-98	PISTON (63.98mm STD) . . . . .				
	1A1-11635-00	PISTON (64.25mm 1st O.S) . . . . .	2	Alternate Parts		
	1A1-11636-00	PISTON (64.50mm 2nd O.S) . . . . .	2	Alternate Parts		
1A1-11637-00	PISTON (64.75mm 3rd O.S) . . . . .	2	Alternate Parts			
1A1-11638-00	PISTON (65.00mm 4th O.S) . . . . .	2	Alternate Parts			
4-15	1A0-11610-00	PISTON RING SET (STD) . . . . .	2s			
	1A0-11610-10	PISTON RING SET (1st O.S) . . . . .	2s	Alternate Parts		
	1A0-11610-20	PISTON RING SET (2nd O.S) . . . . .	2s	Alternate Parts		
	1A0-11610-30	PISTON RING SET (3rd O.S) . . . . .	2s	Alternate Parts		
	1A0-11610-40	PISTON RING SET (4th O.S) . . . . .	2s	Alternate Parts		
	1A1-11610-00	PISTON RING SET (STD) . . . . .	2s			
	1A1-11610-10	PISTON RING SET (1st O.S) . . . . .	2s	Alternate Parts		
	1A1-11610-20	PISTON RING SET (2nd O.S) . . . . .	2s	Alternate Parts		
	1A1-11610-30	PISTON RING SET (3rd O.S) . . . . .	2s	Alternate Parts		
	1A1-11610-40	PISTON RING SET (4th O.S) . . . . .	2s	Alternate Parts		
4-16	280-11633-00	PIN, piston . . . . .	2			
	278-11633-00	PIN, piston . . . . .	2			
4-17	93450-17025	CIRCLIP (137-11634-00) . . . . .	4	4		
4-18	93103-20076	OIL SEAL (SW-20-40-10 special) . . . . .	1	1		
4-19	90280-04005	KEY, woodruff (341-11545-00) . . . . .	1	1		
4-20	278-17424-00	CIRCLIP . . . . .	1	1		
4-21	93103-40077	OIL SEAL (SW-40-62-10 special) . . . . .	1	1		

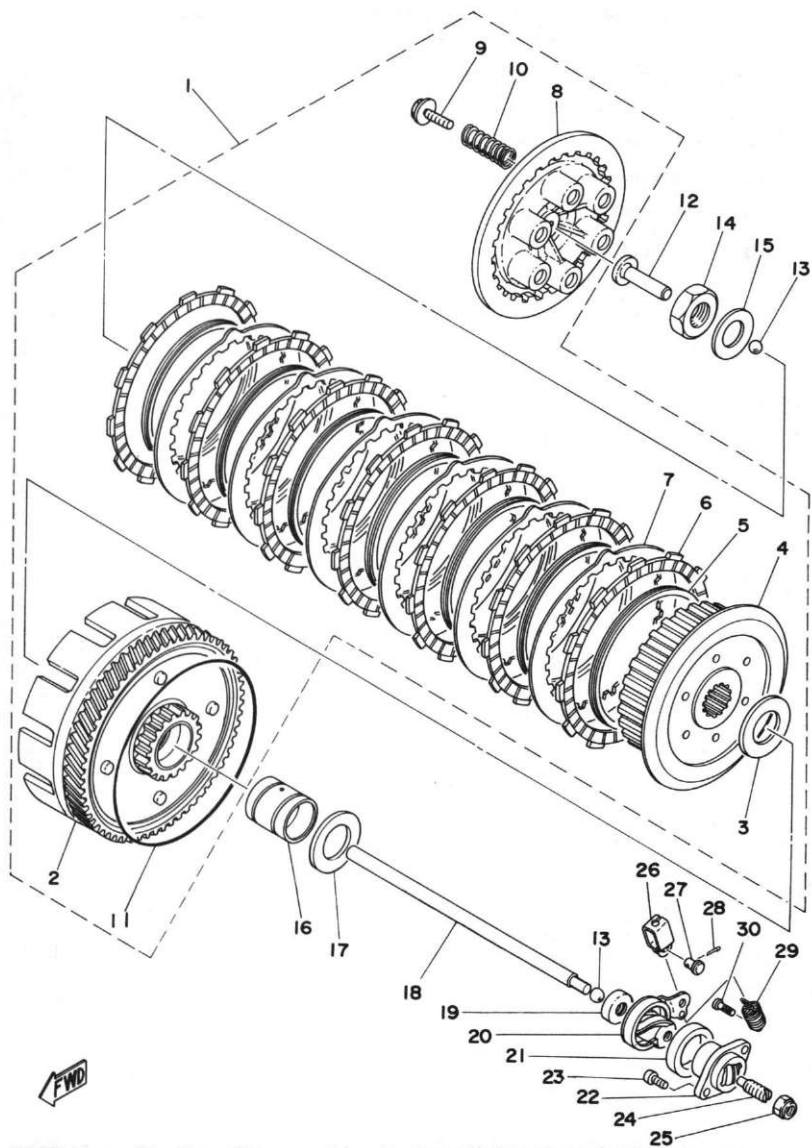
Fig. 4 CRANK · PISTON



Ref. No.	Parts No.	Description	Q'ty		Applicable Machine No.	Remarks
			250	400		
4-22	1A0-16111-00	GEAR, primary drive (21T) ..	1			
	1A1-16111-00	GEAR, primary drive (23T) ..		1		
4-23	90282-07006	KEY, straight (278-11546-00) ..	1	1		
4-24	90215-18131	WASHER, lock .....	1	1		
4-25	90170-16182	NUT .....	1	1		
4-26	360-11526-00	SEAL, crank shaft .....	1	1		

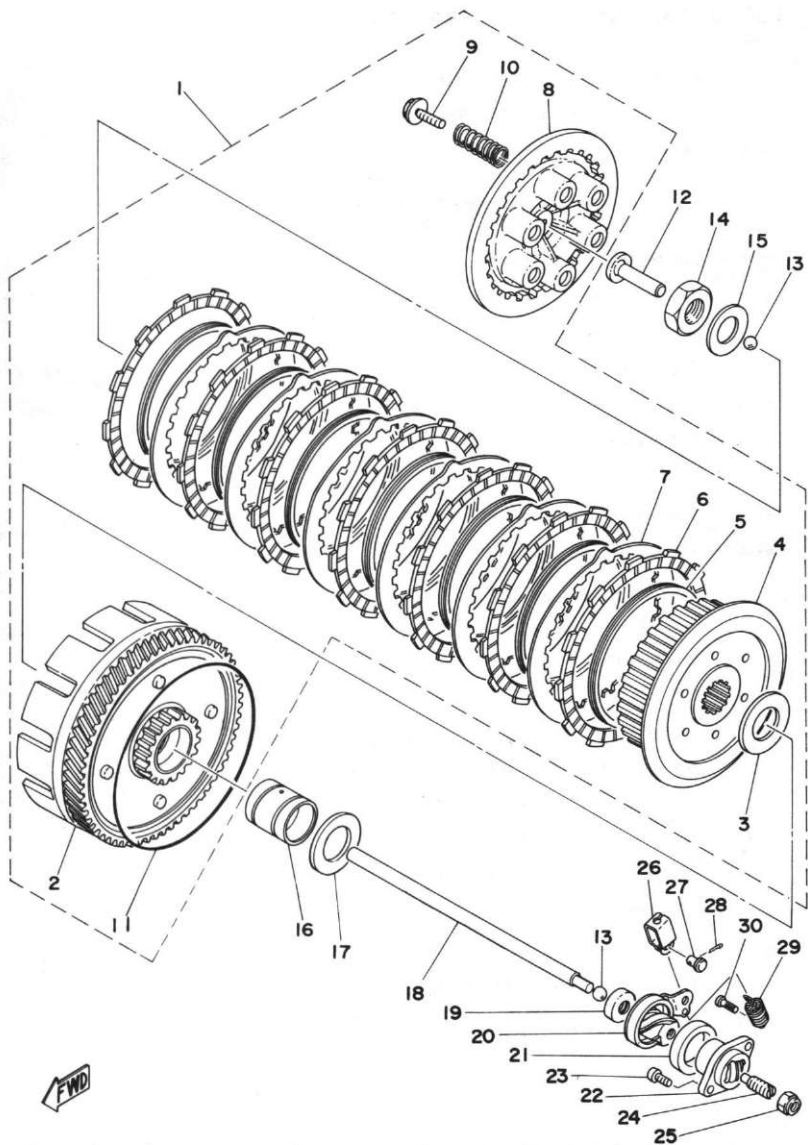


Fig. 5 CLUTCH



Ref. No.	Parts No.	Description	Q'ty		Applicable Machine No.	Remarks
			250	400		
5- 1	1A0-16301-01	CLUTCH ASS'Y .....	1			
	1A1-16301-00	CLUTCH ASS'Y .....		1		
5- 2	1A0-16150-01	. PRIMARY DRIVEN GEAR COMP. (66T) .....		1		
	1A1-16150-00	. PRIMARY DRIVEN GEAR COMP. (66T) .....			1	
5- 3	360-16154-00	. PLATE, thrust (25-50-2) ...	1	1		
5- 4	1A0-16371-00	. BOSS, clutch .....	1	1		
5- 5	278-16367-00	. RING, cushion .....	7	7		
5- 6	360-16321-00	. PLATE, friction .....	7	7		
5- 7	498-16325-00	. PLATE, clutch .....	6	6		
5- 8	1A0-16351-00	. PLATE, pressure .....	1	1		
5- 9	90159-06010	. SCREW, with washer .....	6	6		
5-10	90501-23138	. SPRING (168-16333-00) ....	6	6		
5-11	93211-10232	. O-RING (5.7-109.6) .....	1	1		
5-12	174-16356-00	ROD, push .....	1	1		
5-13	93505-16006	BALL (5/16 inch) .....	2	2		
5-14	90170-18089	NUT, lock (156-16174-00) ....	1	1		
5-15	214-16119-00	SPRING, bellevile .....	1	1		
5-16	278-16181-01	SPACER .....	1	1		
5-17	360-16154-00	PLATE, thrust (25-50-2) .....	1	1		
5-18	328-16357-00	ROD, push .....	1	1		
5-19	237-15389-00	SEAL, push rod .....	1	1		
5-20	360-16340-00	PUSH LEVER ASS'Y .....	1	1		
5-21	214-16347-01	SEAL, dust .....	1	1		
5-22	256-16396-01	HOUSING, push screw .....	1	1		
5-23	98501-05012	SCREW, panhead .....	2	2		
5-24	90113-08021	BOLT, set (256-16343-01) ....	1	1		
5-25	90179-08179	NUT .....	1	1		
5-26	214-16389-00	JOINT .....	1	1		

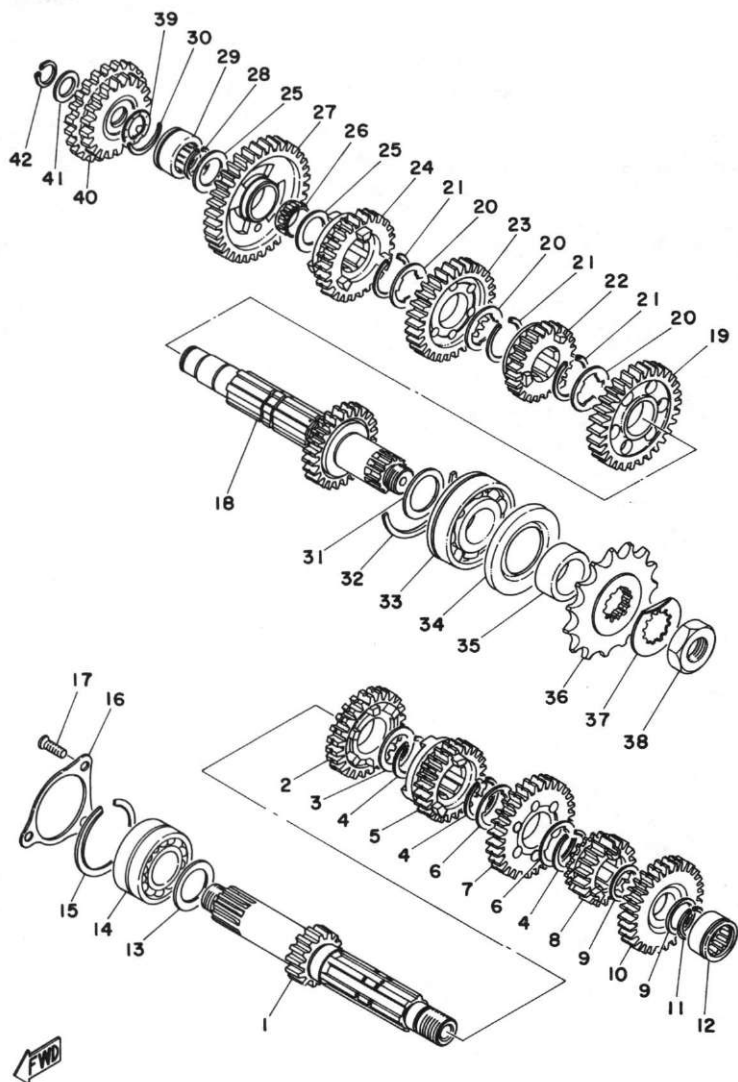
Fig. 5 CLUTCH



FWD

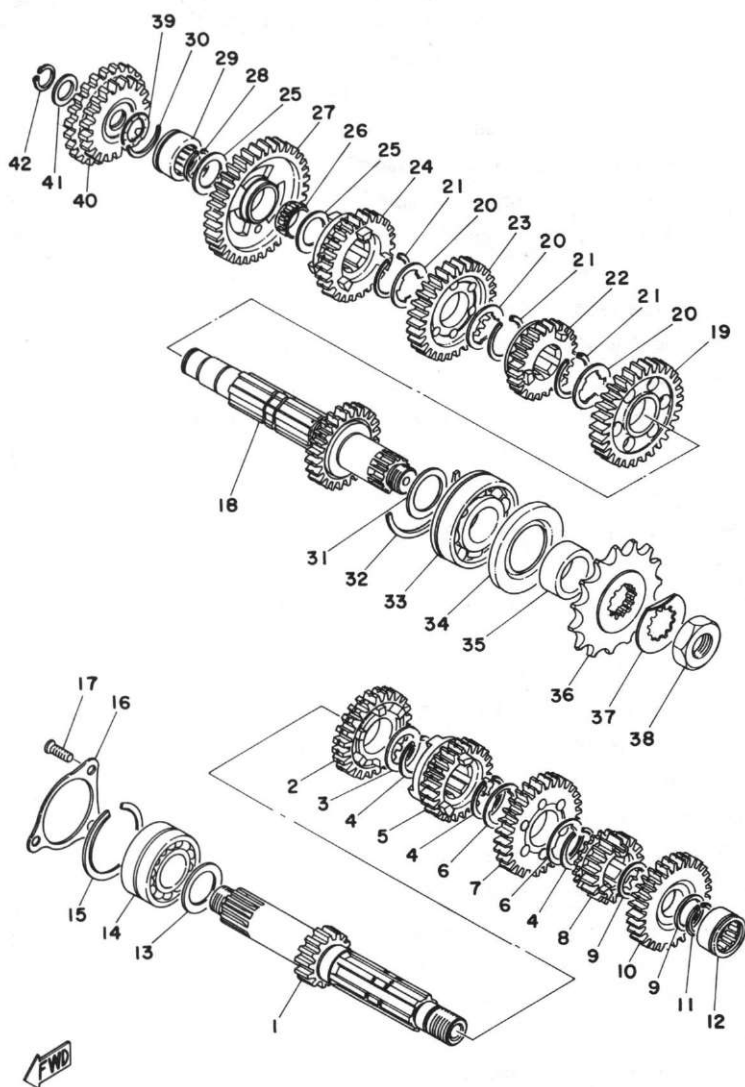
Ref. No.	Parts No.	Description	Q'ty		Applicable Machine No.	Remarks
			250	400		
5-27	90240-06005	PIN, with hole (214-16379-00) ..	1	1		
5-28	91401-10010	PIN, cotter .....	1	1		
5-29	90506-10069	SPRING, tension (360-16345-00)	1	1		
5-30	132-16346-00	HOOK, spring .....	1	1		

Fig. 6 TRANSMISSION



Ref. No.	Parts No.	Description	Q'ty		Applicable Machine No.	Remarks
			250	400		
6- 1	1A0-17411-00	AXLE, main (14T) .....	1	1		
6- 2	521-17141-00	GEAR, 4th pinion (24T) .....	1	1		
6- 3	90201-25490	WASHER, plate (152-17226-00)	1	1		
6- 4	93440-25019	CIRCLIP (25 $\phi$ special) .....	3	3		
6- 5	1A1-17131-00	GEAR, 3rd pinion (22T) .....	1	1		
6- 6	90209-21105	WASHER (328-17216-00) .....	2	2		
6- 7	521-17161-00	GEAR, 6th pinion (27T) .....	1	1		
6- 8	1A1-17121-00	GEAR, 2nd pinion (18T) .....	1	1		
6- 9	90201-20266	WASHER, plate (132-17216-00)	2	2		
6-10	521-17151-00	GEAR, 5th pinion (27T) .....	1	1		
6-11	93410-20009	CIRCLIP (S-20) .....	1	1		
6-12	93311-22005	BEARING .....	1	1		
6-13	168-17428-01-03	SHIM, drive axle (25-34-0.3)	}	U.R	U.R	
	168-17428-01-05	SHIM, drive axle (25-34-0.5)				
6-14	93305-20502	BEARING .....	1	1		
6-15	93440-52009	CIRCLIP (52 $\phi$ special) .....	1	1		
6-16	360-17471-00	PLATE, bearing cover .....	1	1		
6-17	92701-06015	SCREW flathead .....	3	3		
6-18	1A0-17420-00	DRIVE AXLE ASS'Y (25T) ....	1	1		
6-19	360-17221-00	GEAR, 2nd wheel (32T) .....	1	1		
6-20	90209-21105	WASHER (328-17216-00) .....	3	3		
6-21	93440-25019	CIRCLIP (25 $\phi$ special) .....	3	3		
6-22	521-17261-00	GEAR, 6th wheel (26T) .....	1	1		
6-23	360-17231-00	GEAR, 3rd wheel (29T) .....	1	1		
6-24	521-17241-00	GEAR, 4th wheel (26T) .....	1	1		
6-25	90201-20276	WASHER, plate (328-17116-00)	2	2		
6-26	93310-22057	BEARING .....	1	1		
6-27	360-17211-00	GEAR, 1st wheel (36T) .....	1	1		
6-28	93410-20009	CIRCLIP (S-20) .....	1	1		

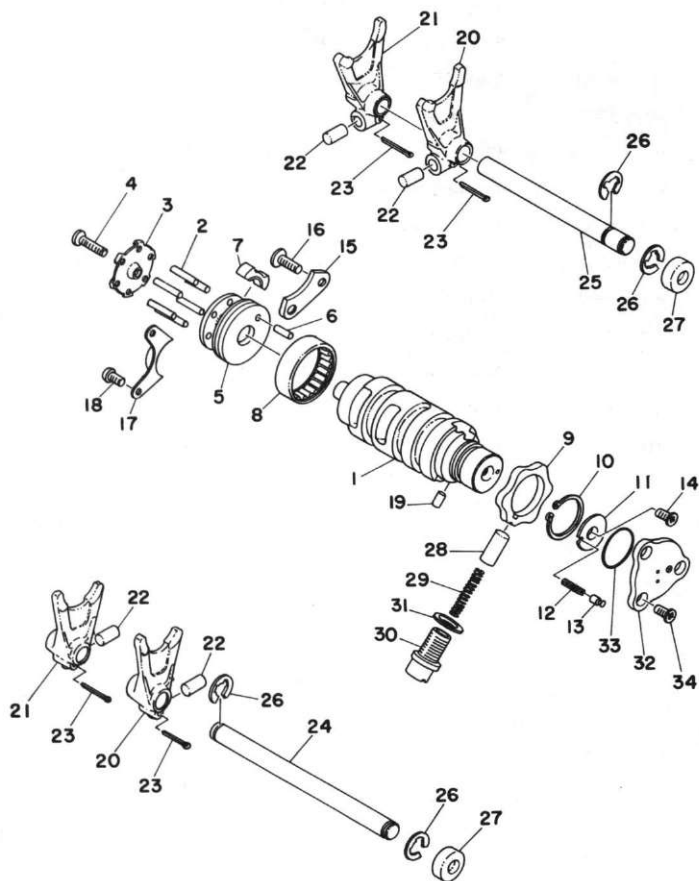
Fig. 6 TRANSMISSION



Ref. No.	Parts No.	Description	Q'ty		Applicable Machine No.	Remarks
			250	400		
6-29	93311-42006	BEARING .....	1	1		
6-30	278-17425-00	CIRCLIP .....	1	1		
6-31	168-17428-01-03	SHIM, drive axle (25-34-0.3)	}	U.R	U.R	
	168-17428-01-05	SHIM, drive axle (25-34-0.5)				
6-32	278-17424-00	CIRCLIP .....	1	1		
6-33	93306-30504	BEARING (6305N special) ...	1	1		
6-34	93102-35054	OIL SEAL (SD-35-62-6) .....	1	1		
6-35	90387-25192	COLLAR (169-17462-00) .....	1	1		
6-36	1A1-17461-70	SPROCKET, drive (17T) .....	1	1		
6-37	90215-21121	WASHER, lock .....	1	1		
6-38	90179-18020	NUT, lock (152-17463-00) .....	1	1		
6-39	90206-15055	WASHER, wave .....	1	1		
6-40	278-15650-00	IDLER GEAR ASS'Y (22T & 27T)	1	1		
6-41	164-17417-00-10	SHIM, main axle (15.2-20-1) ..	1	1		
6-42	93410-15005	CIRCLIP (S-15) .....	1	1		

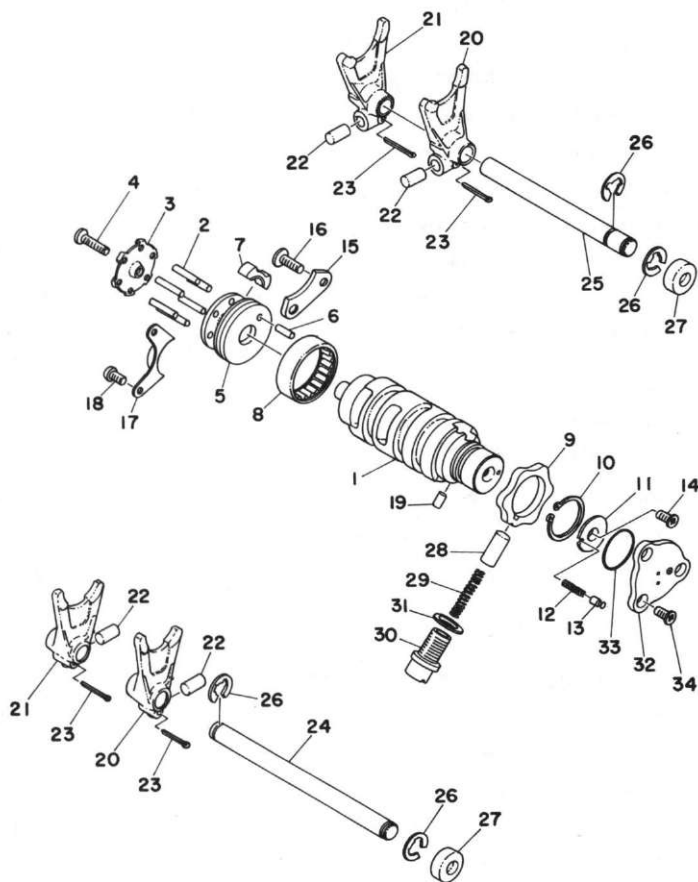


Fig. 7 SHIFTER 1



Ref. No.	Parts No.	Description	Q'ty		Applicable Machine No.	Remarks
			250	400		
7- 1	360-18541-00	CAM, shift	1	1		
7- 2	93604-22050	PIN, dowel (4-21.8)	6	6		
7- 3	328-18561-00	PLATE, side	1	1		
7- 4	98701-05020	SCREW, flathead	1	1		
7- 5	328-18185-00	SEGMENT	1	1		
7- 6	93604-14012	PIN, dowel	1	1		
7- 7	328-18352-10	PLATE, pawl	1	1		
7- 8	93315-23612	BEARING	1	1		
7- 9	360-18141-01	PLATE, stopper	1	1		
7-10	93410-30012	CIRCLIP (S-30)	1	1		
7-11	278-18566-00	PLATE, side	1	1		
7-12	90501-06022	SPRING, compression (278-18545-00)	1	1		
7-13	278-18542-00	POINT, neutral	1	1		
7-14	98701-05012	SCREW, flathead	1	1		
7-15	328-18562-00	PLATE, stopper 2	1	1		
7-16	92701-06015	SCREW, flathead	2	2		
7-17	328-18179-00	GUIDE, change lever	1	1		
7-18	98501-05010	SCREW, panhead	2	2		
7-19	93604-08071	PIN, dowel (4-8)	1	1		
7-20	328-18511-00	FORK, shift 1	2	2		
7-21	328-18512-00	FORK, shift 2	2	2		
7-22	90250-08017	PIN (278-18552-00)	4	4		
7-23	91401-25020	PIN, cotter	4	4		
7-24	278-18531-00	BAR, shift fork guide 1	1	1		
7-25	278-18535-00	BAR, shift fork guide 2	1	1		
7-26	93430-10016	CIRCLIP (E-10)	4	4		
7-27	90338-22009	PLUG, blind (278-18149-00)	2	2		
7-28	278-18547-02	STOPPER, cam	1	1		
7-29	90501-10062	SPRING, compression (278-18557-00)	1	1		

Fig.7 SHIFTER 1

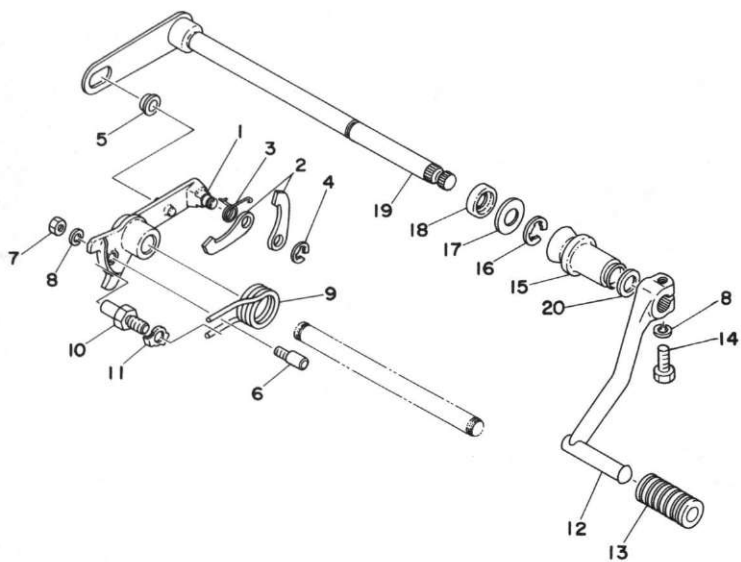


FWD

Ref. No.	Parts No.	Description	Q'ty		Applicable Machine No.	Remarks
			250	400		
7-30	90149-14031	SCREW (278-18577-03) .....	1	1		
7-31	137-15353-00	GASKET, drain plug .....	1	1		
7-32	278-82540-01	NEUTRAL SWITCH ASS'Y .....	1	1		
7-33	93210-29147	O-RING (2.4-29.4) .....	1	1		
7-34	98701-05012	SCREW, flathead .....	3	3		

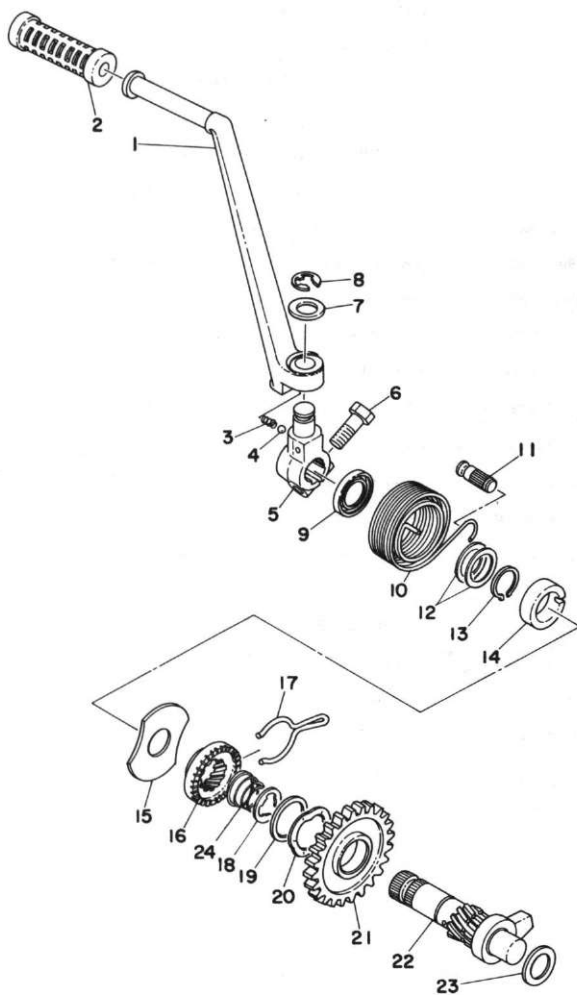


Fig. 8 SHIFTER 2



Ref. No.	Parts No.	Description	Q'ty		Applicable Machine No.	Remarks
			250	400		
8- 1	328-18128-00	BRACKET .....	1	1		
8- 2	328-18151-00	LEVER, change 3 .....	2	2		
8- 3	90508-08007	SPRING, torsion (214-18123-00)	1	1		
8- 4	93430-07012	CIRCLIP (E-7) .....	1	1		
8- 5	214-18178-00	ROLLER, change lever 1 ..	1	1		
8- 6	90149-06017	SCREW (214-18186-00) .....	1	1		
8- 7	95301-06600	NUT, hexagon .....	1	1		
8- 8	92901-06100	WASHER, spring .....	2	2		
8- 9	90508-32055	SPRING, torsion (278-18124-00)	1	1		
8-10	278-18127-00	STOPPER, screw .....	1	1		
8-11	90215-08015	WASHER, lock (214-18139-02)	1	1		
8-12	1A0-18111-00-93	PEDAL, change .....	1			
	1A1-18111-00-93	PEDAL, change .....		1		
8-13	132-18113-01	COVER, change pedal .....	1	1		
8-14	97311-06020	BOLT, hexagon .....	1	1		
8-15	278-18131-00	BOOT, sealing .....	1	1		
8-16	93430-10016	CIRCLIP (E-10) .....	1	1		
8-17	90201-12575	WASHER, plate .....	1	1		
8-18	93101-12004	OIL SEAL (S-12-22-5) .....	1	1		
8-19	278-18101-01	CHANGE SHAFT ASS'Y ....	1	1		
8-20	93104-11056	OIL SEAL (SO-12-17-2.5) ...		1		

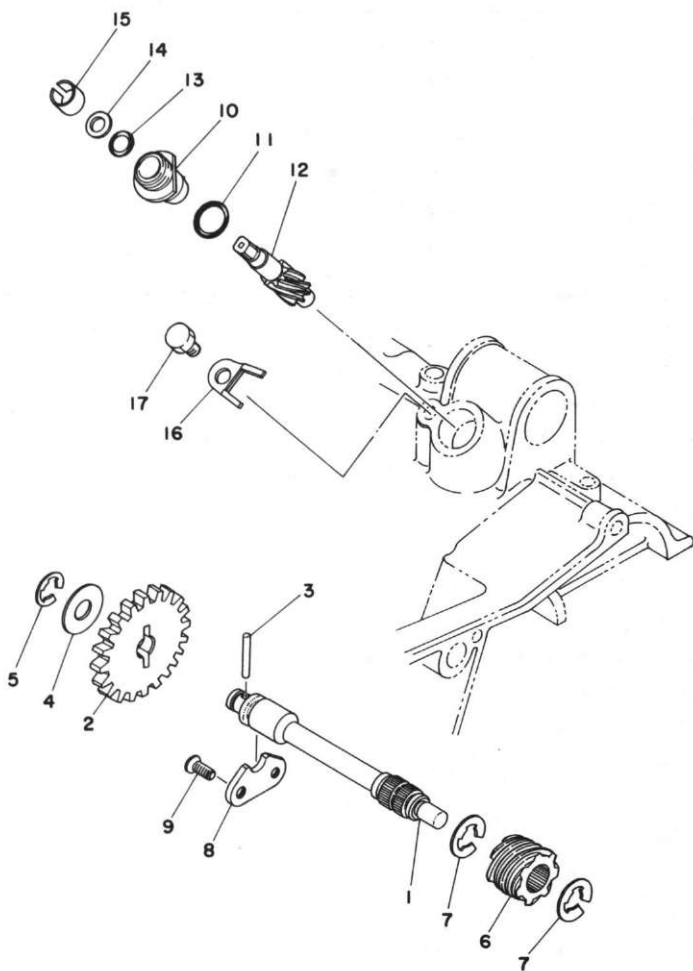
Fig. 9 KICK STARTER



Ref. No.	Parts No.	Description	Q'ty		Applicable Machine No.	Remarks
			250	400		
9- 1	278-15611-00-93	CRANK, kick .....	1	1		
9- 2	156-15618-01	COVER, kick lever .....	1	1		
9- 3	90501-12081	SPRING, compression (278-15622-00) .....	1	1		
9- 4	93507-32009	BALL (7/32 inch) .....	1	1		
9- 5	278-15621-00	BOSS, kick crank .....	1			
	1A1-15621-00	BOSS, kick crank .....		1		
9- 6	97321-08030	BOLT, hexagon .....	1	1		
9- 7	90201-15340	WASHER, plate .....	1	1		
9- 8	93430-10016	CIRCLIP (E-10) .....	1	1		
9- 9	93104-20007	OIL SEAL (SO-20-30-4.5) ...	1	1		
9-10	90508-30051	SPRING, torsion (278-15665-00)	1	1		
9-11	248-15668-00	STOPPER, kick spring .....	1	1		
9-12	90208-20022	WASHER, conical spring ...	1	1		
9-13	93410-20009	CIRCLIP (S-20) .....	1	1		
9-14	278-15666-00	SPACER .....	1	1		
9-15	278-15676-00	COVER, spring .....	1	1		
9-16	278-15671-01	WHEEL, ratchet .....	1	1		
9-17	90468-26045	CLIP (278-15687-00) .....	1	1		
9-18	93440-25019	CIRCLIP (25 $\phi$ special) .....	1	1		
9-19	90201-25490	WASHER, plate (152-17226-00)	1	1		
9-20	90206-25059	WASHER, wave (278-15643-01)	1	1		
9-21	278-15641-01	GEAR, kick (27T) .....	1	1		
9-22	278-15660-01	KICK AXLE ASS'Y .....	1	1		
9-23	136-17417-00-09	SHIM, main axle (17.2-28-1)	1	1		
9-24	90502-07025	SPRING, conical .....	1			

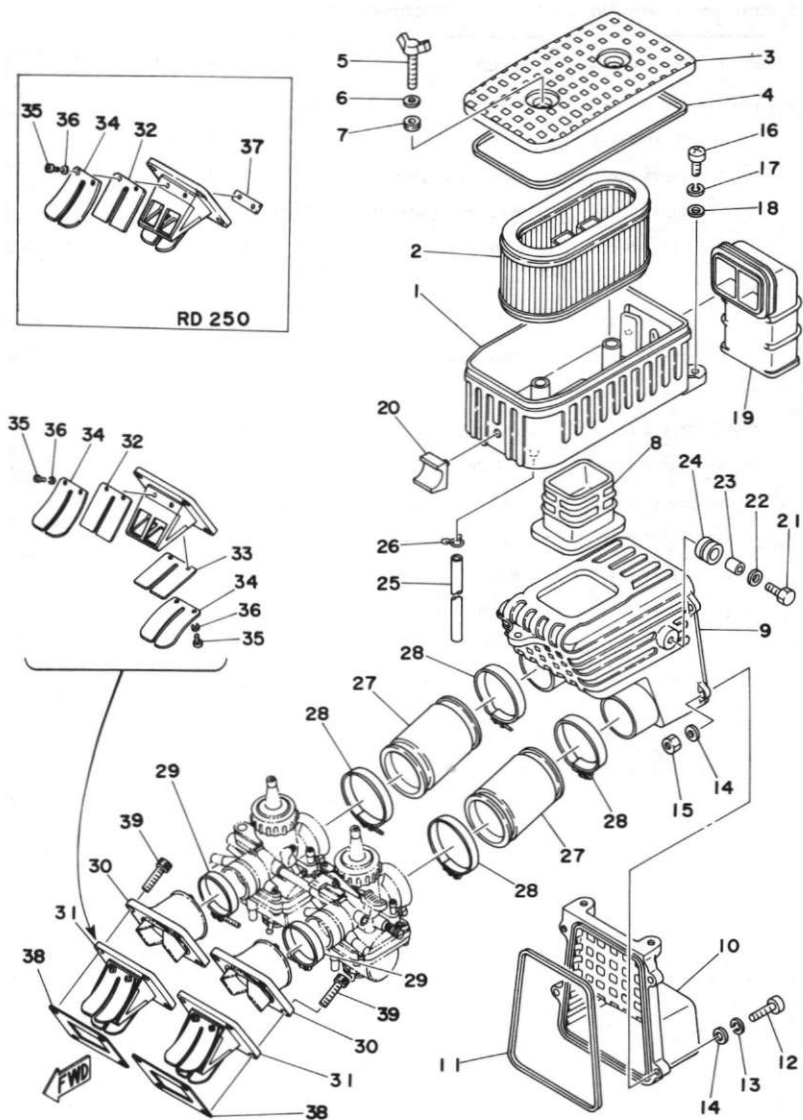


Fig. 10 TACHOMETER GEAR



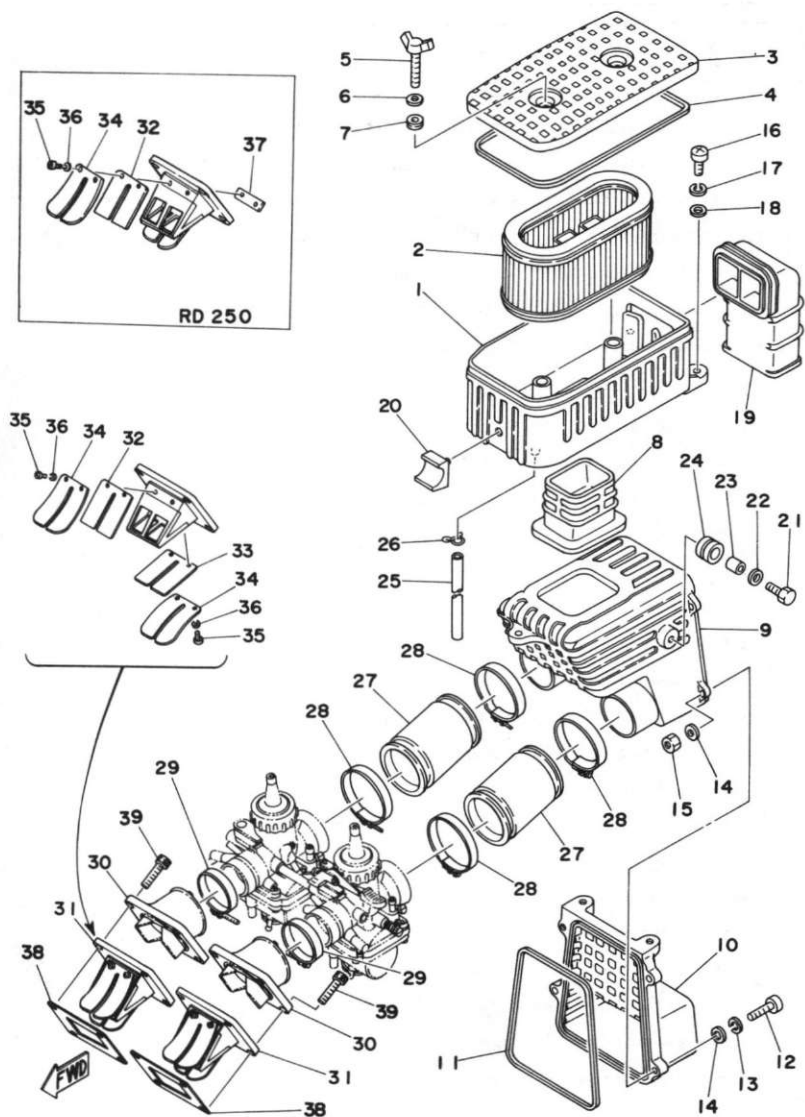
Ref. No.	Parts No.	Description	Q'ty		Applicable Machine No.	Remarks
			250	400		
10- 1	278-17861-00	AXLE .....	1	1		
10- 2	280-17851-00	GEAR, primary .....	1			
	278-17851-00	GEAR, primary .....		1		
10- 3	93603-22028	PIN, dowel (3-21.8) .....	1	1		
10- 4	90201-10135	WASHER, plate (102-18138-00) .....	1	1		
10- 5	93430-08006	CIRCLIP (E-8) .....	1	1		
10- 6	278-17831-00	GEAR, drive .....	1	1		
10- 7	93430-10016	CIRCLIP (E-10) .....	2	2		
10- 8	278-17812-00	STOPPER .....	1	1		
10- 9	98701-05012	SCREW, flathead .....	2	2		
10-10	214-17811-02	HOUSING .....	1	1		
10-11	93210-13016	O-RING (1.8-13) .....	1	1		
10-12	214-17841-01	GEAR, driven .....	1	1		
10-13	93210-07100	O-RING (2.2-7.2) .....	1	1		
10-14	214-17847-00	SHIM (7.5-10.8-0.4) .....	1	1		
10-15	90383-10005	BUSHING (214-17815-00) .....	1	1		
10-16	214-17812-00	STOPPER .....	1	1		
10-17	97301-06010	BOLT, hexagon .....	1	1		

Fig. 11 INTAKE



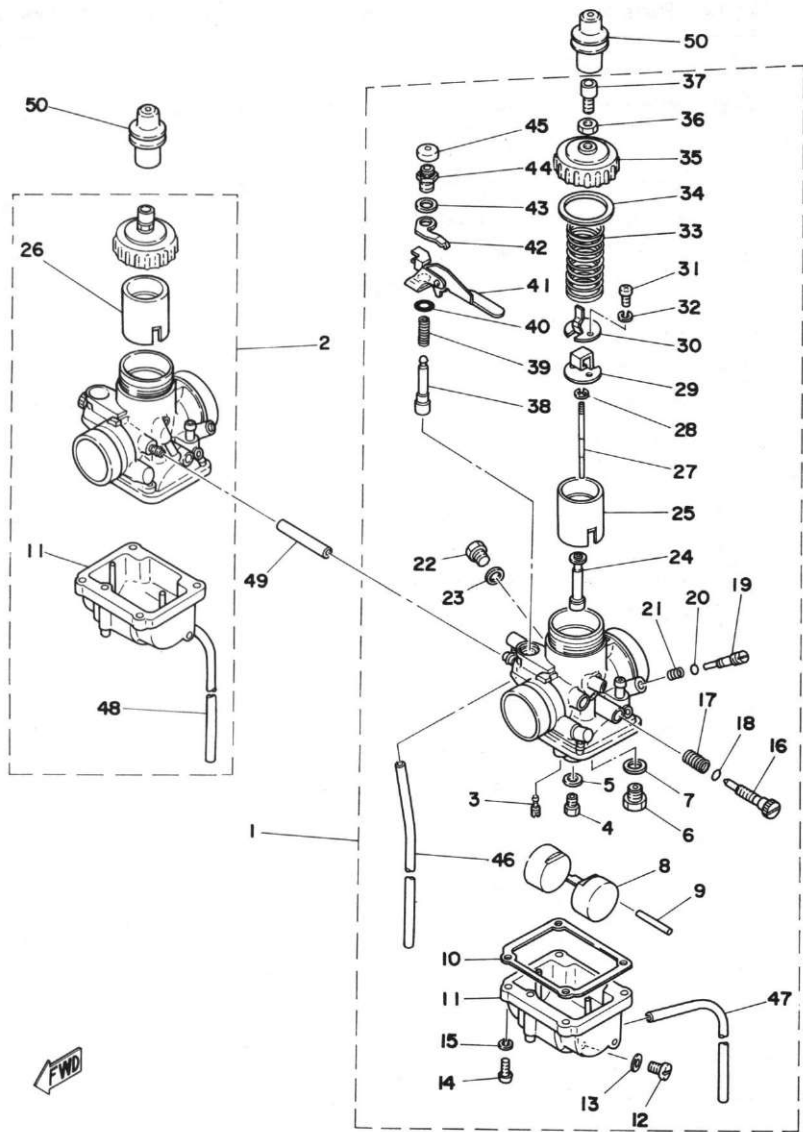
Ref. No.	Parts No.	Description	Q'ty		Applicable Machine No.	Remarks
			250	400		
11- 1	1A0-14411-00	CASE, air cleaner .....	1	1		
11- 2	1A2-14451-00	ELEMENT, cleaner .....	1			
	1A0-14451-01	ELEMENT, cleaner .....		1		
11- 3	1A0-14412-00	CAP, air cleaner .....	1	1		
11- 4	1A0-14457-01	SEAL, air cleaner 1 .....	1	1		
11- 5	90122-06002	BOLT, wing .....	2	2		
11- 6	92901-06200	WASHER, plain .....	2			
11- 7	90202-05101	WASHER, plate .....	2	2		
11- 8	1A2-14419-00	PIPE .....	1			
	1A0-14419-01	PIPE .....		1		
11- 9	1A0-14431-00	SILENCER BOX 1 .....	1	1		
11-10	1A0-14441-00	SILENCER BOX 2 .....	1	1		
11-11	1A0-14467-01	SEAL, air cleaner 2 .....	1	1		
11-12	98501-05025	SCREW, panhead .....	4	4		
11-13	92901-05100	WASHER, spring .....	4	4		
11-14	92901-05200	WASHER, plain .....	8	8		
11-15	95301-05600	NUT, hexagon .....	4	4		
11-16	92501-06018	SCREW, panhead .....	3	3		
11-17	92901-06100	WASHER, spring .....	3	3		
11-18	92901-06600	WASHER, plate .....	3	3		
11-19	1A0-14437-00	DUCT .....	1	1		
11-20	1A0-14435-01	DAMPER .....	1	1		
11-21	97301-06020	BOLT, hexagon .....	2	2		
11-22	90201-06053	WASHER, plate (811-77728-00)	2	2		
11-23	90387-07390	COLLAR .....	2	2		
11-24	90480-14102	GROMMET (214-21717-00) ...	2	2		
11-25	90445-09078	HOSE (132-24311-00 5-190) ..	2	2		
11-26	90467-08003	CLIP (101-24356-00) .....	4	4		
11-27	1A0-14453-01	JOINT, air cleaner .....	2	2		

Fig. 11 INTAKE



Ref. No.	Parts No.	Description	Q'ty		Remarks
			250	400	
11-28	90460-49058	CLAMP, hose (278-14455-00)	4	4	
11-29	90460-43053	CLAMP, hose (304-14455-70)	2	2	
11-30	345-13565-71	JOINT, carburetor	2	2	
11-31	1A0-13610-00	REED VALVE ASS'Y	2		
	1A1-13610-00	REED VALVE ASS'Y		2	
11-32	1A0-13613-00	. REED, valve	4		
	401-13613-00	. REED, valve		2	
11-33	345-13613-70	. REED, valve		2	
11-34	345-13616-70	. STOPPER, reed valve	4	4	
11-35	98502-03010	. SCREW, panhead	8		
	98512-03008	. SCREW, panhead		8	
11-36	92901-03100	. WASHER, spring	8	8	
11-37	1A0-13624-00	. PLATE, reed valve	4		
11-38	314-13621-02	PACKING, valve seat	2		
	1A1-13621-00	PACKING, valve seat		2	
11-39	91316-06025	BOLT	8	8	

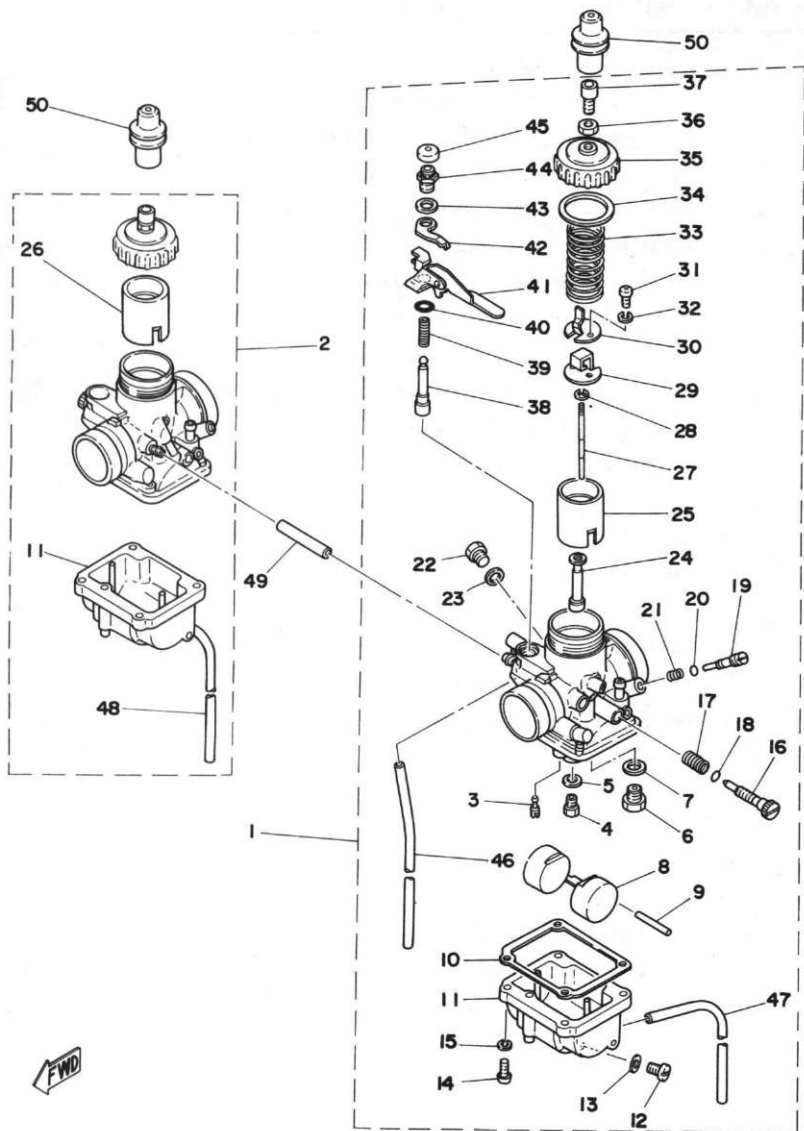
Fig. 12 CARBURETOR



Ref. No.	Parts No.	Description	Q'ty		Applicable Machine No.	Remarks
			250	400		
12- 1	1A2-14101-00	CARBURETOR ASS'Y, left	....	1		
	1A3-14101-00	CARBURETOR ASS'Y, left	....	1		
12- 2	1A2-14102-00	CARBURETOR ASS'Y, right	....	1		
	1A3-14102-00	CARBURETOR ASS'Y, right	....	1		
12- 3	193-14142-25	. JET, pilot (#25)	.....	2	2	
12- 4	137-14143-22	. JET, main (#110)	.....	} U.R 2		STD(250)
	137-14143-23	. JET, main (#115)	.....			
	137-14143-24	. JET, main (#120)	.....			
	137-14143-22	. JET, main (#110)	.....	} U.R 2		STD(400)
	137-14143-24	. JET, main (#120)	.....			
	137-14143-26	. JET, main (#130)	.....			
12- 5	137-14153-00	. WASHER, valve seat	.....	2	2	
12- 6	168-14190-25	. VALVE SEAT ASS'Y (#2.5)	...	2	2	
12- 7	214-14195-00	. WASHER, valve seat	.....	2	2	
12- 8	1A0-14185-00	. FLOAT	.....	2	2	
12- 9	127-14186-00	. PIN, float	.....	2	2	
12-10	360-14184-01	. GASKET, float chamber	....	2	2	
12-11	1A0-14183-00	. BODY, float chamber	.....	2	2	
12-12	266-14191-00	. PLUG, drain	.....	2	2	
12-13	266-14126-00	. PACKING	.....	2	2	
12-14	98503-04015	. SCREW, panhead	.....	8	8	
12-15	92901-04100	. WASHER, spring	.....	8	8	
12-16	493-14122-00	. SCREW, throttle	.....	2	2	
12-17	493-14133-00	. SPRING, throttle stop	....	2	2	
12-18	214-14147-00	. O-RING	.....	2	2	
12-19	525-14123-00	. SCREW, air adjusting	....	2	2	
12-20	354-14147-00	. O-RING	.....	2	2	
12-21	127-14134-00	. SPRING, air adjusting	.....	2	2	
12-22	1A0-14991-00	. PLUG, screw	.....	2	2	

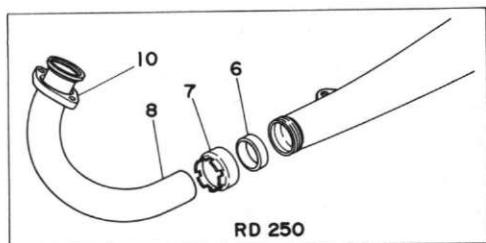
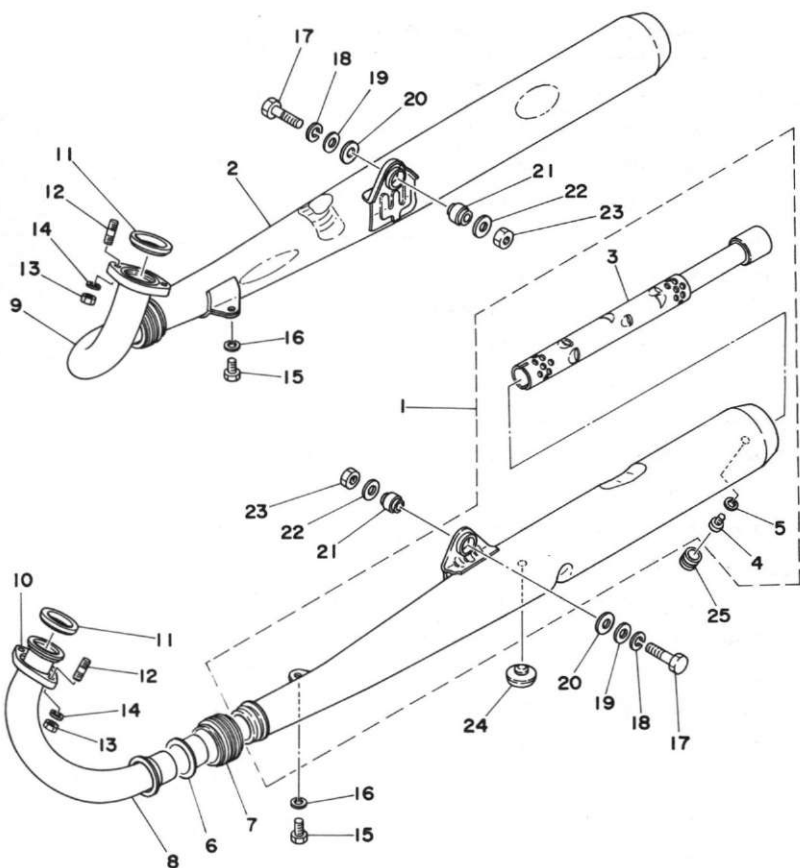


Fig. 12 CARBURETOR



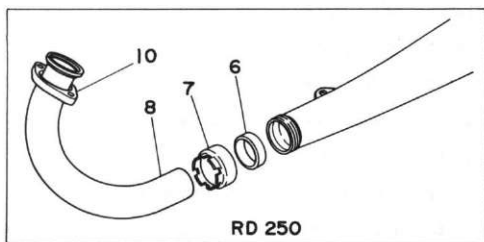
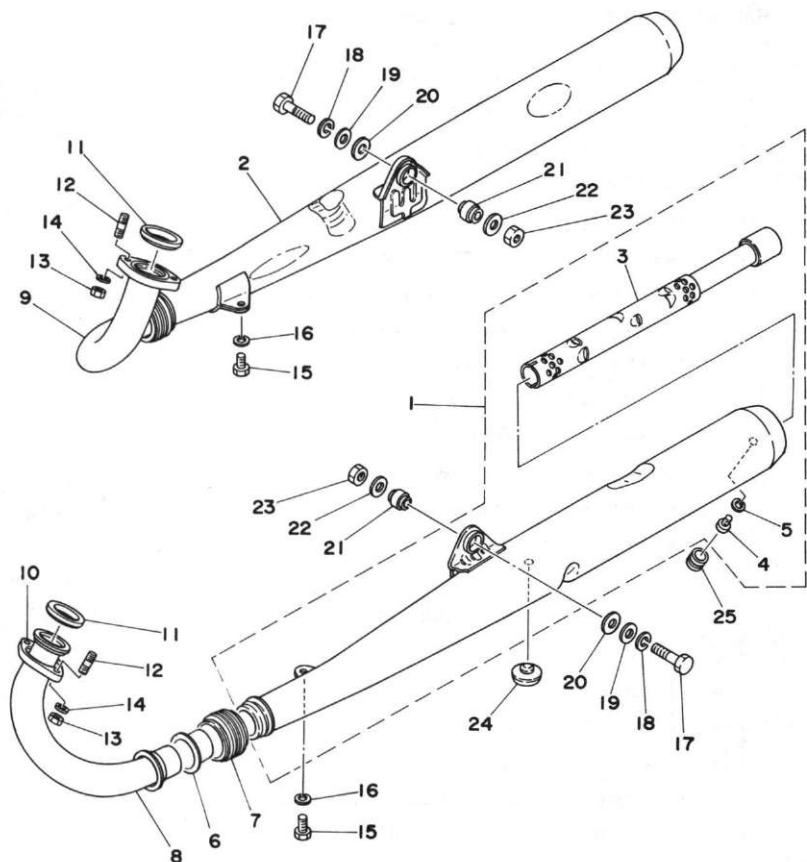
Ref. No.	Parts No.	Description	Q'ty		Applicable Machine No.	Remarks
			250	400		
12-23	256-14956-01	. WASHER .....	2	2		
12-24	360-14141-38	. NOZZLE, main (0-8) .....	2			
	360-14141-42	. NOZZLE, main (P-2) .....		2		
12-25	1A0-14112-25	. VALVE, throttle left (#2.5) ...	1	2		
12-26	1A0-14113-25	. VALVE, throttle right (#2.5)..	1			
12-27	522-14116-03	. NEEDLE (5L3-2) .....	2			
	522-14116-01	. NEEDLE (5L1-3) .....		2		
12-28	164-14137-00	. CLIP .....	2	2		
12-29	1A0-14243-00	. PLATE .....	2	2		
12-30	1A0-14253-00	. PLATE, spring .....	2	2		
12-31	98501-03010	. SCREW, panhead .....	4	4		
12-32	92901-03100	. WASHER, spring .....	4	4		
12-33	360-14131-00	. SPRING, throttle valve .....	2	2		
12-34	246-14126-00	. PACKING .....	2	2		
12-35	802-14158-00	. TOP, mixing chamber .....	2	2		
12-36	802-14161-00	. NUT, wire adjusting .....	2	2		
12-37	360-14124-20	. SCREW, wire adjusting .....	2	2		
12-38	1A0-14171-00	. PLUNGER .....	1	1		
12-39	256-14135-00	. SPRING, plunger .....	1	1		
12-40	93220-09001	. O-RING .....	1	1		
12-41	1A0-14175-00	. LEVER, starter left .....	1	1		
12-42	170-14178-00	. PLATE, starter lever .....	1	1		
12-43	1A0-14179-00	. WASHER, starter lever .....	1	1		
12-44	500-14174-00	. CAP, plunger .....	1	1		
12-45	802-14173-00	. COVER, plunger cap .....	1	1		
12-46	1A0-14197-00	. PIPE, air vent .....	2	2		
12-47	1A0-14196-00	. PIPE, overflow .....	1	1		
12-48	1A0-14193-00	. PIPE, overflow .....	1	1		
12-49	90445-09056	PIPE, joint .....	1	1		
12-50	1A0-14169-00	CAP .....	2	2		

Fig.13 EXHAUST



Ref. No.	Parts No.	Description	Q'ty		Applicable Machine No.	Remarks
			250	400		
13- 1	1A0-14710-00	MUFFLER ASS'Y, left	1			
	1A1-14710-00	MUFFLER ASS'Y, left		1		
13- 2	1A0-14720-00	MUFFLER ASS'Y, right	1			
	1A1-14720-00	MUFFLER ASS'Y, right		1		
13- 3	521-14753-00	. SILENCER	2	2		
13- 4	92501-06010	. SCREW, panhead	2	2		
13- 5	92901-06100	. WASHER, spring	2	2		
13- 6	360-14714-00	GASKET, muffler joint	2			
	1A1-14714-02	GASKET, muffler joint		2		
13- 7	360-14713-00	NUT, muffler joint	2			
	1A1-14615-02	JOINT, exhaust		2		
13- 8	1A0-14611-00	PIPE, exhaust left	1			Except W.GERMANY
	1N9-14611-00	PIPE, exhaust left	1			Exclusive for W.GERMANY
	1A1-14611-00	PIPE, exhaust left		1		
13- 9	1A0-14621-00	PIPE, exhaust right	1			Except W.GERMANY
	1N9-14621-00	PIPE, exhaust right	1			Exclusive for W.GERMANY
	1A1-14621-00	PIPE, exhaust right		1		
13-10	1A0-14612-01	NUT, ring	2	2		
13-11	1A0-14613-00	GASKET, exhaust	2	2		
13-12	90116-08166	BOLT, stud	4	4		
13-13	95303-08600	NUT, hexagon	4	4		
13-14	92901-08100	WASHER, spring	4	4		
13-15	97301-08016	BOLT, hexagon	2	2		
13-16	92901-08100	WASHER, spring	2	2		
13-17	90101-10257	BOLT	2	2		
13-18	92901-10100	WASHER, spring	2	2		
13-19	92901-10200	WASHER, plain	2	2		
13-20	90201-10140	WASHER, plate	2	2		
13-21	168-21639-00	DAMPER, rear	2	2		
13-22	90201-15239	WASHER, plate (168-21615-00)	2	2		

Fig.13 EXHAUST

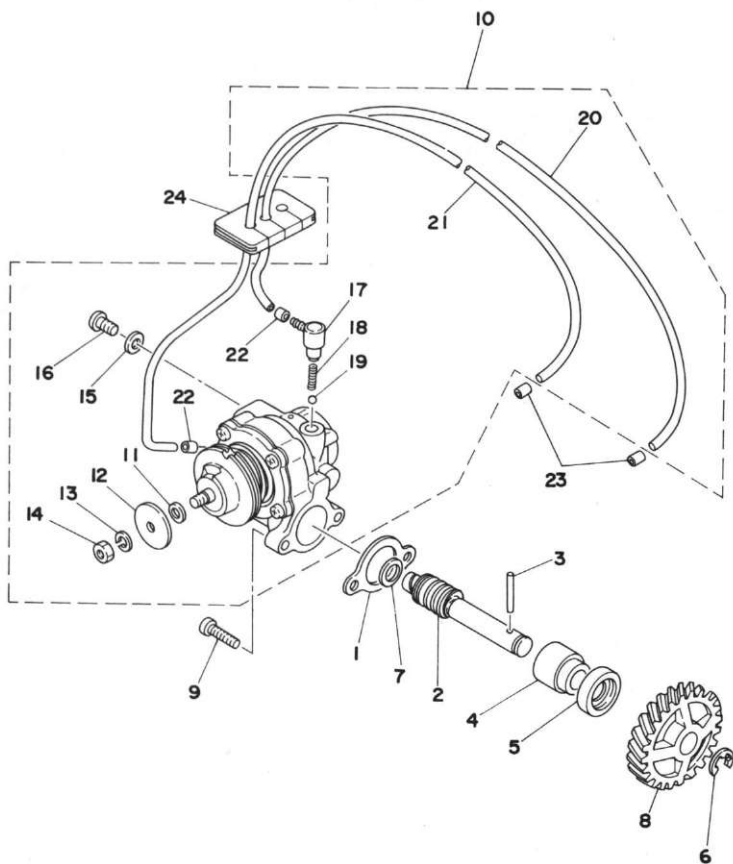


RD 250



Ref. No.	Parts No.	Description	Q'ty		Applicable Machine No.	Remarks
			250	400		
13-23	90179-10123	NUT (168-21635-00) .....	2	2		
13-24	1A0-27114-00	STOPPER, main stand .....	1	1		
13-25	90480-14153	GROMMET .....	2	2		

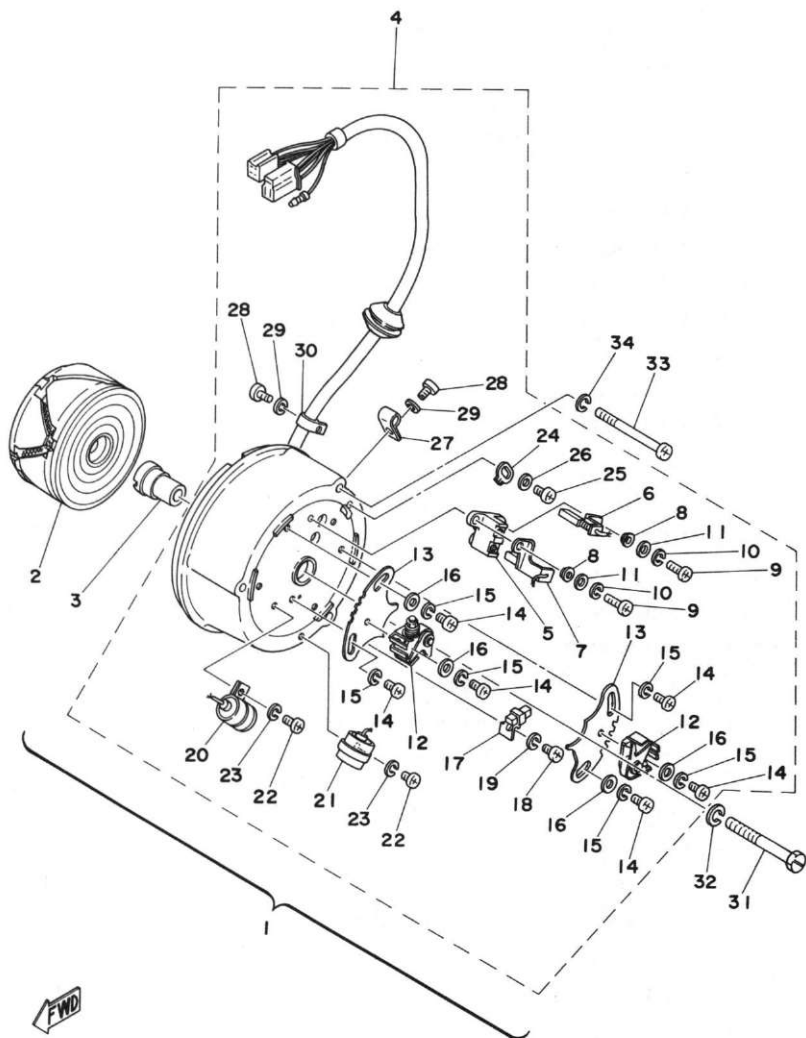
Fig. 14 OIL PUMP



Ref. No.	Parts No.	Description	Q'ty		Applicable Machine No.	Remarks
			250	400		
14- 1	126-13116-00	GASKET, pump case	1	1		
14- 2	522-13175-01	SHAFT, worm	1			
	214-13175-02	SHAFT, worm		1		
14- 3	93603-22028	PIN, dowel (3-22)	1	1		
14- 4	137-13176-00	METAL, worm shaft outer	1	1		
14- 5	93101-10002	OIL SEAL (S-10-22-7)	1	1		
14- 6	93430-08006	CIRCLIP (E-8)	1	1		
14- 7	90201-08624	WASHER, plate	1	1		
14- 8	1A0-13178-00	GEAR, pump drive (22T)	1			
	1A1-13178-00	GEAR, pump drive (21T)		1		
14- 9	98501-05015	SCREW, panhead	2	2		
14-10	1A0-13101-01	OIL PUMP ASS'Y	1			
	1A1-13101-01	OIL PUMP ASS'Y		1		
14-11	137-13137-00-03	. SHIM, plunger (5.8-10-0.3)	1	1	U.R	U.R
	137-13137-00-05	. SHIM, plunger (5.8-10-0.5)				
14-12	137-13138-01	. PLATE, adjusting	1	1		
14-13	92901-05100	. WASHER, spring	1	1		
14-14	95301-05600	. NUT, hexagon	1	1		
14-15	90430-04004	. GASKET (137-13187-00)	1	1		
14-16	98901-04008	. SCREW, bind	1	1		
14-17	353-13552-01	. NOZZLE	2	2		
14-18	90501-02018	. SPRING, compression (278-13169-00)	2	2		
14-19	93505-32002	. BALL (5/32 inch)	2	2		
14-20	90445-05302	. HOSE (3-420)	1	1		
14-21	90445-05301	. HOSE (3-240)	1	1		
14-22	90468-02033	. CLIP (214-13164-00)	2	2		
14-23	90468-02033	CLIP (214-13164-00)	2	2		
14-24	278-13174-00	HOLDER, oil pipe	1	1		

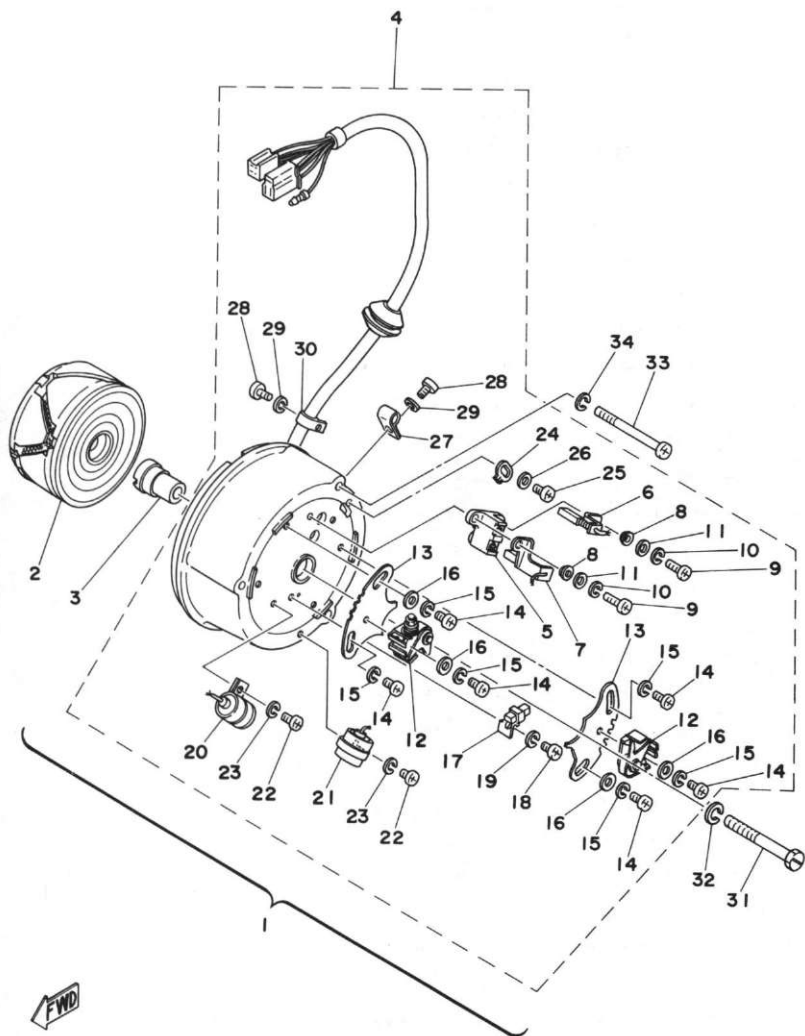


Fig. 15 A. C. GENERATOR



Ref. No.	Parts No.	Description	Q'ty		Applicable Machine No.	Remarks
			250	400		
15- 1	1A0-81600-10	A.C. GENERATOR ASS'Y	1	1		
15- 2	1A0-81650-10	. ROTOR ASS'Y	1	1		
15- 3	1A0-81651-10	. CAM	1	1		
15- 4	1A0-81610-10	. STATOR ASS'Y	1	1		
15- 5	1A0-81613-10	. . HOLDER, brush	1	1		
15- 6	1A0-81611-10	. . BRUSH (+)	1	1		
15- 7	1A0-81612-10	. . BRUSH (-)	1	1		
15- 8	1A0-81661-10	. . SPACER	2	2		
15- 9	98503-04015	. . SCREW, panhead	2	2		
15-10	92901-04100	. . WASHER, spring	2	2		
15-11	92901-04200	. . WASHER, plain	2	2		
15-12	371-81622-10	. . CONTACT BREAKER ASS'Y	2	2		
15-13	1A0-81623-10	. . PLATE, contact breaker	2	2		
15-14	98501-04010	. . SCREW, panhead	6	6		
15-15	92901-04100	. . WASHER, spring	6	6		
15-16	92901-04200	. . WASHER, plain	4	4		
15-17	133-81131-10	. . LUBRICATOR	1	1		
15-18	98501-04008	. . SCREW, panhead	1	1		
15-19	92901-04100	. . WASHER, spring	1	1		
15-20	1A0-81625-10	. . CONDENSER	1	1		
15-21	132-81225-10	. . CONDENSER	1	1		
15-22	98501-04010	. . SCREW, panhead	2	2		
15-23	92901-04100	. . WASHER, spring	2	2		
15-24	1A0-81632-10	. . PLATE, timing	1	1		
15-25	98501-04010	. . SCREW, panhead	1	1		
15-26	92901-04200	. . WASHER, plain	1	1		
15-27	1A0-81627-10	. . CLAMP, lead 1	1	1		
15-28	98501-04008	. . SCREW, panhead	2	2		
15-29	92901-04100	. . WASHER, spring	2	2		

Fig. 15 A. C. GENERATOR



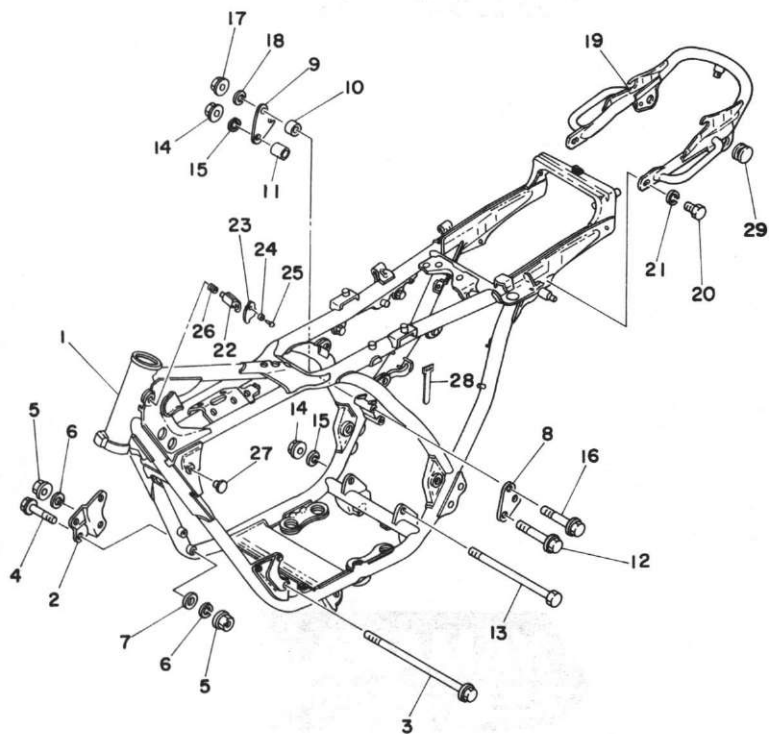
Ref. No.	Parts No.	Description	Q'ty		Applicable Machine No.	Remarks
			250	400		
15-30	1A0-81627-10	. . CLAMP, lead 2 . . . . .	1	1		
15-31	90143-07022	SCREW (307-81452-00) . . . . .	1	1		
15-32	92901-08100	WASHER, spring . . . . .	1	1		
15-33	92501-06070	SCREW, panhead . . . . .	3	3		
15-34	92901-06100	WASHER, spring . . . . .	3	3		



# CHASSIS



Fig. 16 FRAME

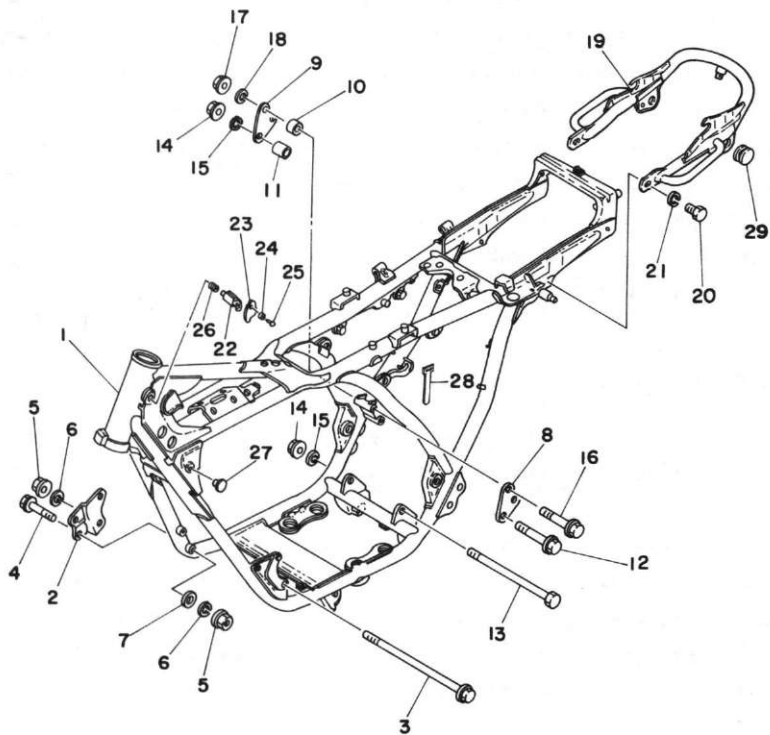


FWD

Ref. No.	Parts No.	Description	Q'ty		FRANCE	HOLLAND	SWITZERLAND	W. GERMANY	BELGIUM	SWEDEN	FINLAND	DENMARK	NORWAY	AUSTRIA	ENGLAND	ITALY	Remarks
			250	400													
16- 1	1A3-21110-41-33	FRAME COMP. ....	1	1			x										Yamaha Black
	1A3-21110-30-33	FRAME COMP. ....	1	1	x												Yamaha Black
	1A1-21110-00-33	FRAME COMP. ....	1	1		x						x	x	x	x		Yamaha Black
	1A3-21110-80-33	FRAME COMP. ....	1	1						x							Yamaha Black
	1A3-21110-20-33	FRAME COMP. ....	1	1			x	x									Yamaha Black
16- 2	1A0-21317-00-33	STAY, engine 3 .....	1	1	x	x	x	x	x	x	x	x	x	x	x	x	Yamaha Black
16- 3	90105-08033	BOLT .....	2	2	x	x	x	x	x	x	x	x	x	x	x	x	
16- 4	95821-08055	BOLT, flange .....	2	2	x	x	x	x	x	x	x	x	x	x	x	x	
16- 5	95701-08100	NUT, flange .....	4	4	x	x	x	x	x	x	x	x	x	x	x	x	
16- 6	92901-08100	WASHER, spring .....	4	4	x	x	x	x	x	x	x	x	x	x	x	x	
16- 7	92901-08200	WASHER, plain .....	2	2	x	x	x	x	x	x	x	x	x	x	x	x	
16- 8	1A0-21315-00	STAY, engine rear upper left .....	1		x	x	x	x	x		x		x	x	x		
	1A1-21315-00	STAY, engine rear upper ..	1		x	x	x	x	x		x		x	x	x		
16- 9	1A0-21316-00	STAY, engine rear upper right .....	1		x	x	x	x	x		x		x	x	x		
	1A1-21315-00	STAY, engine rear upper ..	1		x	x	x	x	x		x		x	x	x		
16-10	90387-10516	COLLAR .....	1		x	x	x	x	x		x		x	x	x		
16-11	90387-12101	COLLAR .....	1	1	x	x	x	x	x		x		x	x	x		
16-12	95821-10080	BOLT, flange .....	1		x	x	x	x	x		x		x	x	x		
	95821-10070	BOLT, flange .....	1		x	x	x	x	x		x		x	x	x		
16-13	90101-10297	BOLT .....	1	1	x	x	x	x	x		x		x	x	x		
16-14	95701-10100	NUT, flange .....	2	2	x	x	x	x	x		x		x	x	x		
16-15	92901-10100	WASHER, spring .....	2	2	x	x	x	x	x		x		x	x	x		
16-16	95821-08070	BOLT, flange .....	2	2	x	x	x	x	x		x		x	x	x		
16-17	95701-08100	NUT, flange .....	2	2	x	x	x	x	x		x		x	x	x		
16-18	92901-08100	WASHER, spring .....	2	2	x	x	x	x	x		x		x	x	x		
16-19	1A0-21645-10	STAY, rear .....	1	1	x	x	x	x	x		x		x	x	x		
16-20	97301-08020	BOLT, hexagon .....	2	2	x	x	x	x	x		x		x	x	x		
16-21	92901-08100	WASHER, spring .....	2	2	x	x	x	x	x		x		x	x	x		

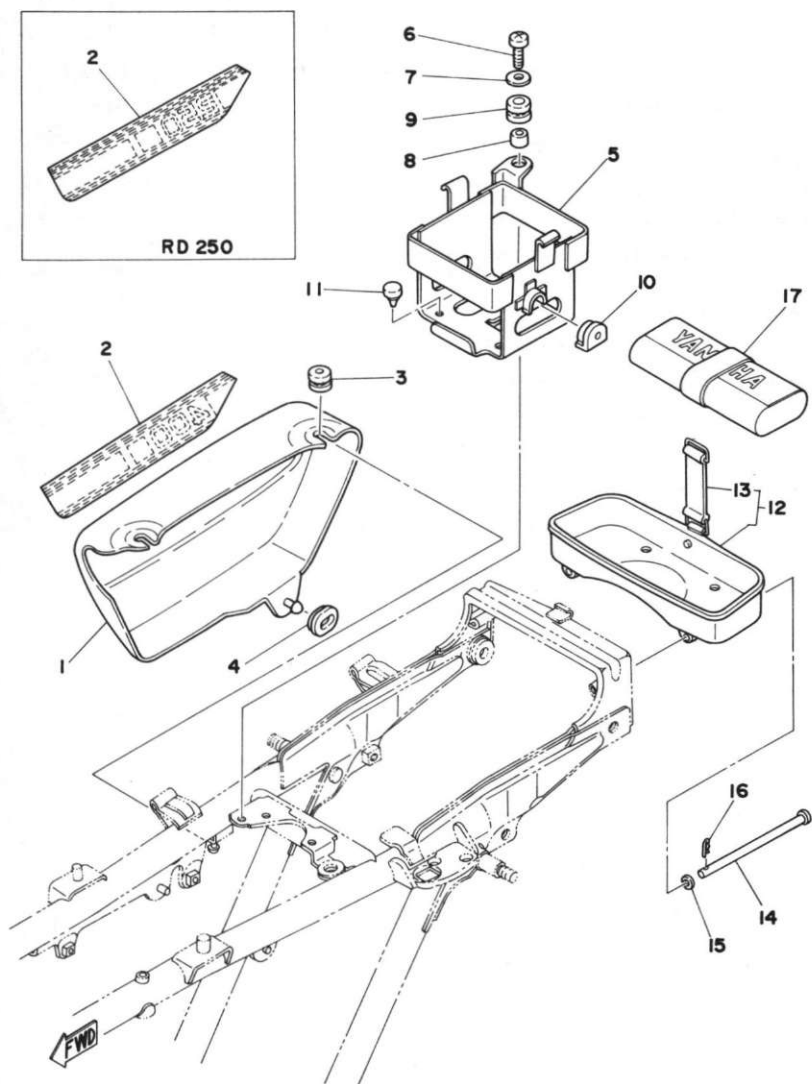


Fig. 16 FRAME



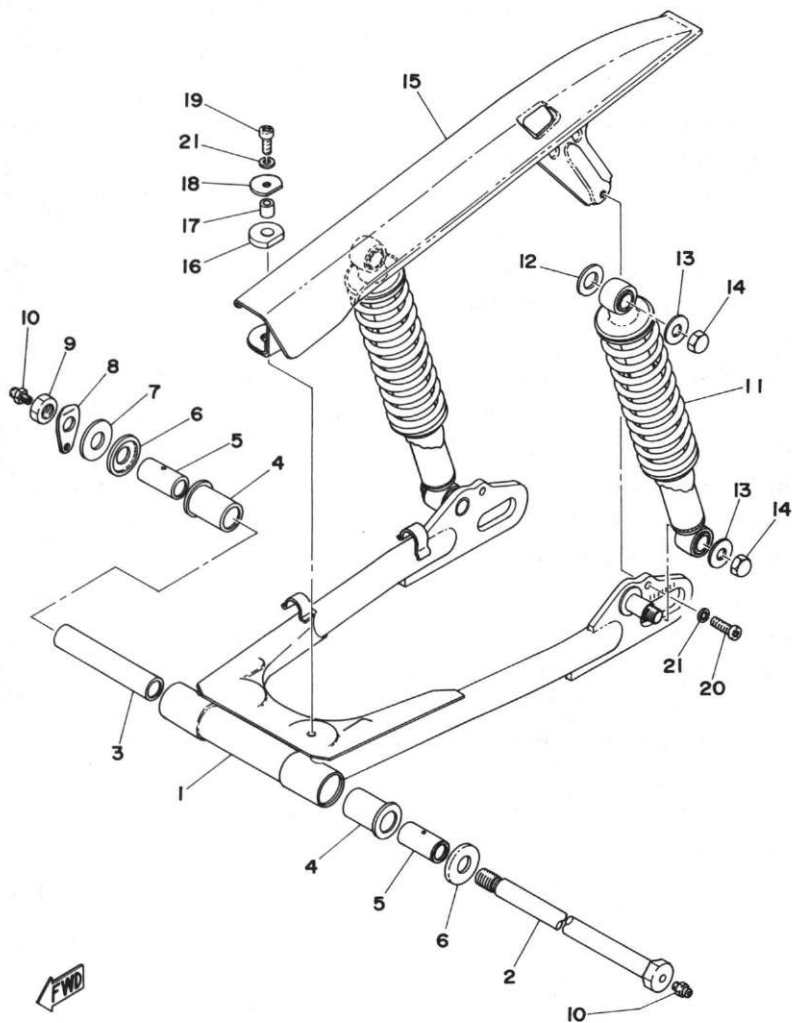
Ref. No.	Parts No.	Description	Q'ty												Remarks	
				250	400	FRANCE	HOLLAND	GERMANY	SWITZERLAND	SWEDEN	DENMARK	NORWAY	AUSTRIA	ENGLAND		ITALY
16-22	169-23408-10	STEERING LOCK ASS'Y ..	1 1	x	x				x							*
	1A0-23408-00	STEERING LOCK ASS'Y ..	1 1		x	x	x		x	x	x					
16-23	134-23484-10	CAP, handle lock .....	1 1	x	x				x							
	584-23484-00	CAP, handle lock .....	1 1	x	x	x			x	x	x					
16-24	134-23488-10	WASHER, wave .....	1 1	x	x				x							*
	90206-04003	WASHER, wave (214-23488-00) .....	1 1		x	x	x		x	x	x					
16-25	134-23483-10	RIVET .....	1 1	x	x				x							*
	90269-04003	RIVET (214-23483-00) ....	1 1		x	x	x		x	x	x					
16-26	134-23485-10	SPRING .....	1 1	x	x				x							*
	90502-09024	SPRING, conical .....	1 1		x	x	x		x	x	x					
16-27	90338-04010	PLUG .....	2 2	x	x	x	x	x	x							
16-28	437-83936-10	BAND, switch cord .....	1 1	x	x	x	x	x	x							
16-29	90338-18054	PLUG (360-83349-00) ...	2 2			x	x			x						

Fig. 17 SIDE COVER · BOX



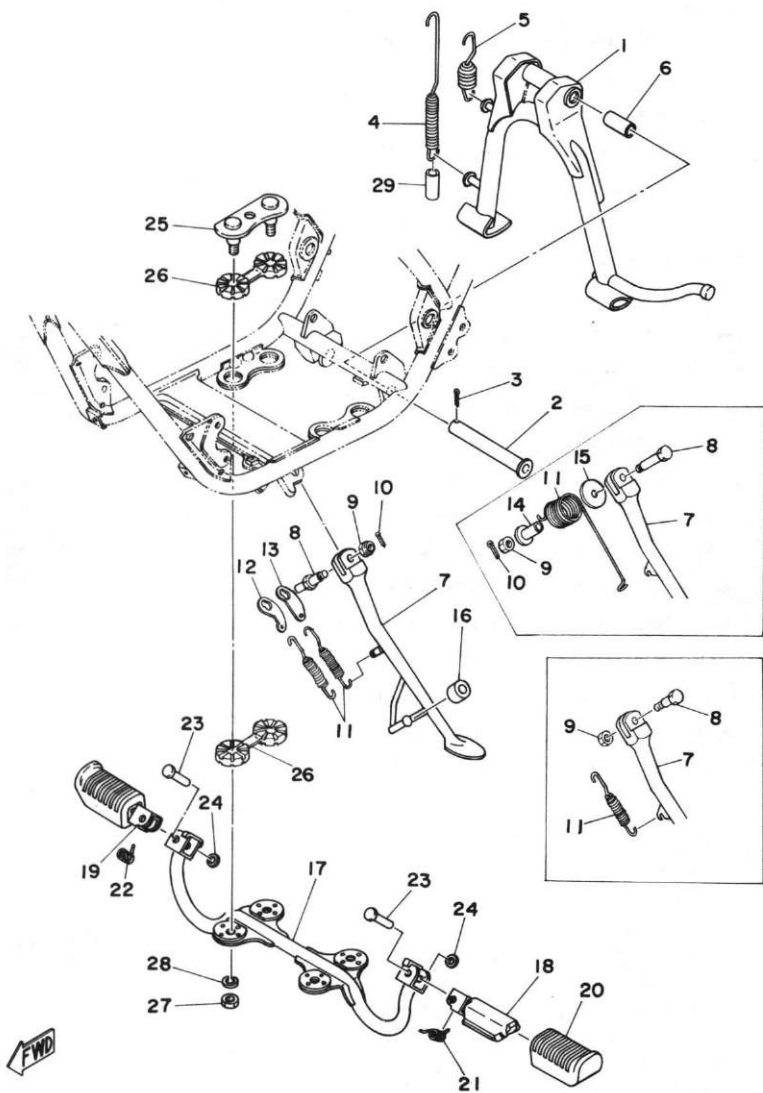
Ref. No.	Parts No.	Description	Q'ty												Remarks		
				250	400	FRANCE	HOLLAND	WEST GERMANY	SWITZERLAND	BEIGIUM	SWEDEN	FINLAND	DENMARK	NORWAY		AUSTRIA	ENGLAND
17- 1	1A1-21721-00-E8	COVER, side	1	1	x	x	x	x	x	x	x	x	x	x	x	x	Modena Red
	1A1-21721-00-20	COVER, side	1	1	x	x	x	x	x	x	x	x	x	x	x	x	Crystal Silver
	1A1-21721-00-26	COVER, side	1	1	x	x	x	x	x	x	x	x	x	x	x	x	Competition Yellow
	1A1-21721-00-29	COVER, side	1	1	x	x	x	x	x	x	x	x	x	x	x	x	Candy Blue
17- 2	1A2-21783-11	GRAPHIC, side cover	1		x	x	x	x	x		x	x	x				
	1A3-21783-11	GRAPHIC, side cover	1		x	x	x		x	x	x	x	x				
17- 3	90480-12053	GROMMET	2	2	x	x	x	x	x	x	x	x	x	x	x	x	
17- 4	90480-01141	GROMMET (371-21747-00)	1	1	x	x	x	x	x	x	x	x	x	x	x	x	
17- 5	1A0-21170-01-33	BOX COMP., battery	1	1	x	x	x	x	x	x	x	x	x	x	x	x	
17- 6	92501-06025	SCREW, panhead	1	1	x	x	x	x	x	x	x	x	x	x	x	x	
17- 7	90201-06380	WASHER, plate	1	1	x	x	x	x	x	x	x	x	x	x	x	x	
17- 8	90387-07390	COLLAR	1	1	x	x	x	x	x	x	x	x	x	x	x	x	
17- 9	90480-14102	GROMMET (214-21717-00)	1	1	x	x	x	x	x	x	x	x	x	x	x	x	
17-10	1A0-21746-01	DAMPER, battery box	2	2	x	x	x	x	x	x	x	x	x	x	x	x	
17-11	141-21717-00	DAMPER, side cover	4	4	x	x	x	x	x	x	x	x	x	x	x	x	
17-12	1A0-21107-00	TOOL BOX COMP.	1	1	x	x	x	x	x	x	x	x	x	x	x	x	
17-13	116-82131-00	BAND, tool	1	1	x	x	x	x	x	x	x	x	x	x	x	x	
17-14	91701-05120	PIN, clevis	2	2	x	x	x	x	x	x	x	x	x	x	x	x	
17-15	92901-05600	WASHER, plate	2	2	x	x	x	x	x	x	x	x	x	x	x	x	
17-16	90468-10050	CLIP (156-83525-00)	2	2	x	x	x	x	x	x	x	x	x	x	x	x	
17-17	1A1-28100-10	TOOL ASS'Y	1	1	x	x	x	x	x	x	x	x	x	x	x	x	

Fig. 18 REAR ARM · REAR CUSHION · CHAIN CASE



Ref. No.	Parts No.	Description	Q'ty		Applicable Machine No.	Remarks
			250	400		
18- 1	1A1-22110-01-33	REAR ARM COMP. ....	1	1		Yamaha Black
18- 2	156-22141-00	SHAFT, pivot .....	1	1		
18- 3	90387-16128	COLLAR (150-22126-00) ....	1	1		
18- 4	90386-22018	BUSHING (148-22123-00) ....	2	2		
18- 5	90387-16226	COLLAR (150-22124-00) ....	2	2		
18- 6	1A0-22128-00	COVER, thrust .....	2	2		
18- 7	240-22127-00	SHIM, rear arm .....	U.N	U.N		
18- 8	1A0-22149-00	WASHER, lock .....	1	1		
18- 9	90170-14174	NUT .....	1	1		
18-10	93700-06004	NIPPLE, grease .....	2	2		
18-11	1A3-22210-20	REAR CUSHION ASS'Y .....	2	2		
18-12	90201-14218	WASHER, plate (135-22243-00)	2	2		
18-13	90201-10140	WASHER, plate .....	4	4		
18-14	90176-10013	NUT, cap .....	4	4		
18-15	1A0-22311-00-33	CASE, chain .....	1	1		Yamaha Black
18-16	278-22332-00	DAMPER, chain case .....	1	1		
18-17	90387-07389	COLLAR (256-21544-00) ....	1	1		
18-18	90209-06034	WASHER (278-22316-00) ....	1	1		
18-19	92501-06020	SCREW, panhead .....	1	1		
18-20	92501-06018	SCREW panhead .....	1	1		
18-21	92901-06100	WASHER, spring .....	2	2		

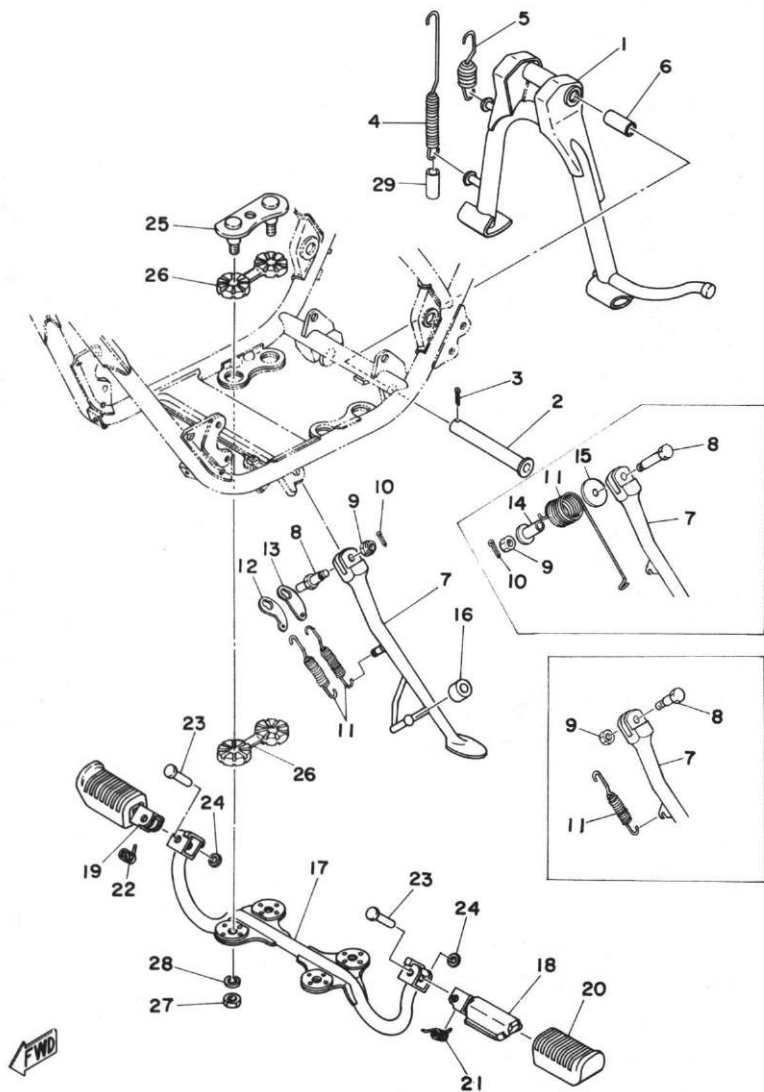
Fig. 19 STAND · FOOTREST



Ref. No.	Parts No.	Description	Q'ty												Remarks		
				250	400	FRANCE	HOLLAND	GERMANY	SWITZERLAND	SWEDEN	FINLAND	DENMARK	NORWAY	AUSTRIA		ENGLAND	ITALY
19- 1	1A2-27111-00	STAND, main	1 1			x											
	278-27111-00	STAND, main	1 1	x	x	x	x	x	x	x	x	x	x	x	x	x	x
19- 2	278-27112-00	SHAFT, main stand	1 1	x	x	x	x	x	x	x	x	x	x	x	x	x	x
19- 3	91401-30025	PIN, cotter	1 1	x	x	x	x	x	x	x	x	x	x	x	x	x	x
19- 4	90507-32027	SPRING, tension	1 1			x											
	90506-35058	SPRING, tension (278-27116-00)	1 1	x	x	x	x	x	x	x	x	x	x	x	x	x	x
19- 5	90507-32028	SPRING, tension	1 1			x											
19- 6	90445-19307	HOSE	1 1			x											
19- 7	1A2-27311-00-33	STAND, side	1 1			x											
	278-27311-01	STAND, side	1 1				x	x	x	x							x
	1A0-27311-00-33	STAND, side	1 1	x	x		x										x
19- 8	1A2-27317-00	BOLT, side stand	1 1			x											
	90109-08415	BOLT	1 1				x	x	x	x							x
	90109-08034	BOLT (266-27317-00)	1 1	x	x		x										x
19- 9	90170-08158	NUT, hexagon	1 1	x	x		x										x
	95301-08900	NUT, slotted	1 1			x	x	x	x	x							x
19-10	91401-20018	PIN, cotter	1 1			x	x	x	x	x							x
19-11	90507-25023	SPRING, tension	2 2			x											
	90507-25023	SPRING, tension	1 1	x	x		x										x
	90508-32177	SPRING (360-27316-00)	1 1			x	x	x	x								x
19-12	1A2-27315-00	LINK, side stand	1 1			x											
19-13	1A2-27315-10	LINK, side stand	1 1			x											
19-14	90387-10255	COLLAR (360-27313-90)...	1 1			x	x	x	x								x
19-15	90201-08569	WASHER, plate	1 1			x	x	x	x								x
19-16	278-27314-00	STOPPER, side stand	1 1	x	x	x	x	x	x	x	x	x	x	x	x	x	x
19-17	1A0-27412-01	FOOTREST	1 1	x	x	x	x	x	x	x	x	x	x	x	x	x	x
19-18	1A0-27451-00	FOOTREST 3, left	1 1	x	x	x	x	x	x	x	x	x	x	x	x	x	x
19-19	1A0-27461-00	FOOTREST 4, right	1 1	x	x	x	x	x	x	x	x	x	x	x	x	x	x
19-20	1A0-27413-00	COVER, footrest	2 2	x	x	x	x	x	x	x	x	x	x	x	x	x	x

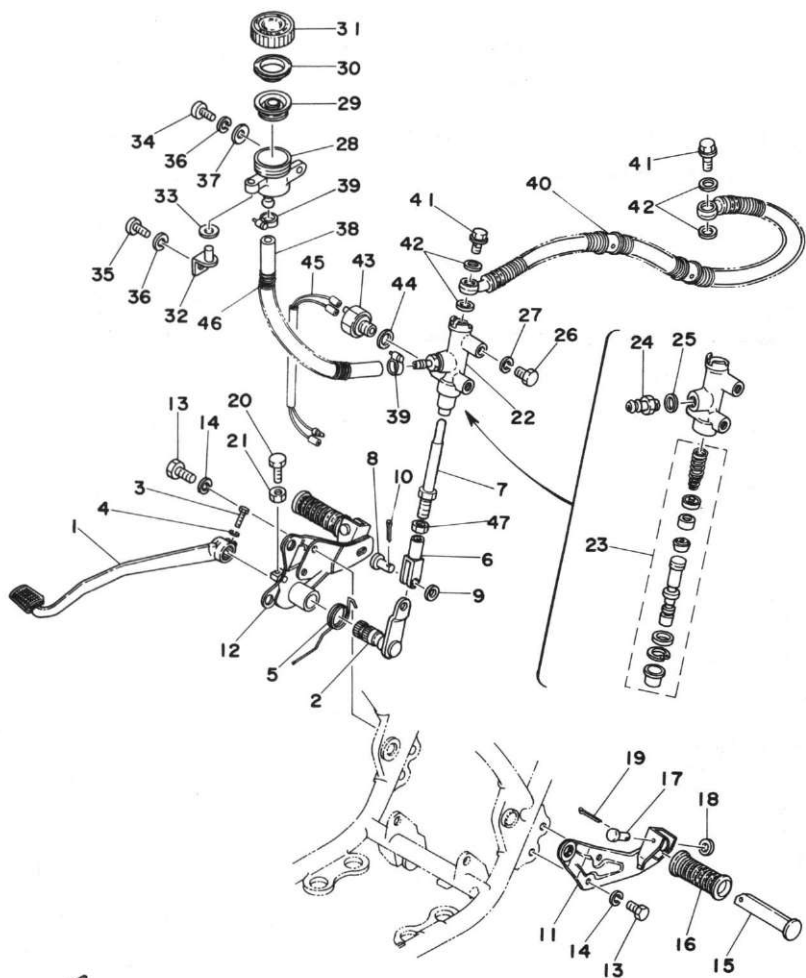


Fig. 19 STAND · FOOTREST



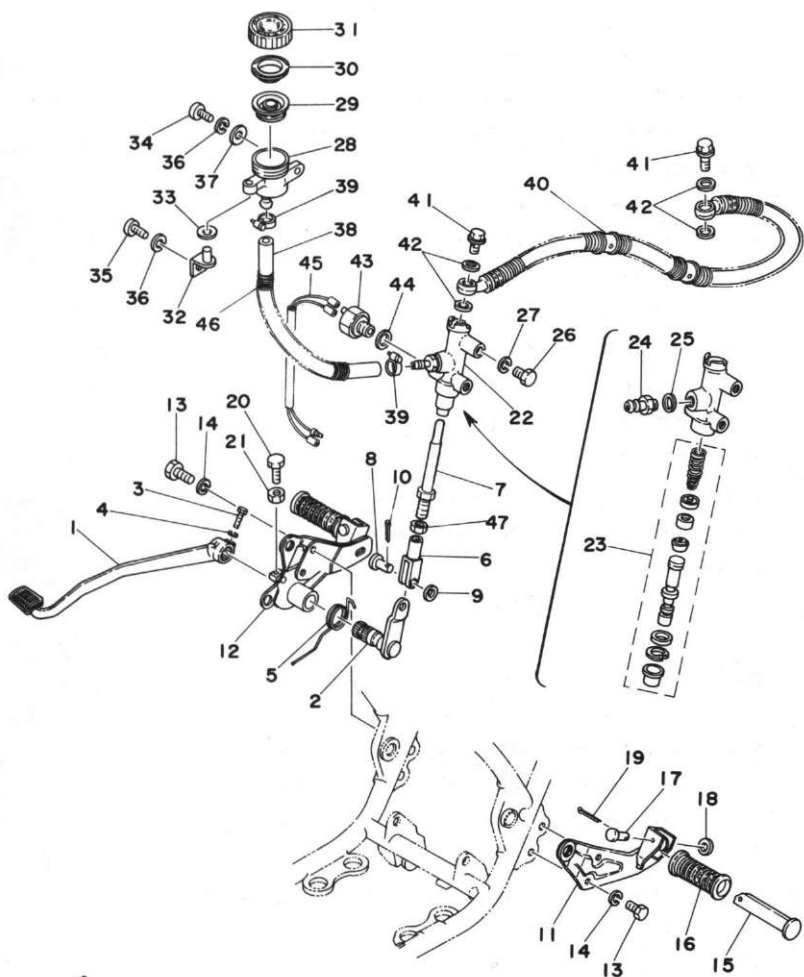
Ref. No.	Parts No.	Description	Q'ty	250 400											Remarks				
				FRANCE	HOLLAND	W. GERMANY	SWITZERLAND	BELGIUM	SWEDEN	FINLAND	DENMARK	SPAIN	AUSTRIA	IRELAND		ITALY			
19-21	90508-20154	SPRING, torsion (371-27426-00) .....	1 1	x	x	x	x	x	x	x	x	x	x	x	x	x	x	x	
19-22	90508-20155	SPRING, torsion (371-27456-00) .....	1 1	x	x	x	x	x	x	x	x	x	x	x	x	x	x	x	
19-23	90243-08006	PIN (214-27418-00) .....	2 2	x	x	x	x	x	x	x	x	x	x	x	x	x	x	x	
19-24	90201-06042	WASHER, plate (214-27417-00) .....	2 2	x	x	x	x	x	x	x	x	x	x	x	x	x	x	x	
19-25	1A0-27416-00	BOLT, footrest .....	2 2	x	x	x	x	x	x	x	x	x	x	x	x	x	x	x	
19-26	1A0-27414-00	DAMPER, footrest .....	4 4	x	x	x	x	x	x	x	x	x	x	x	x	x	x	x	
19-27	95701-10100	NUT, flange .....	4 4	x	x	x	x	x	x	x	x	x	x	x	x	x	x	x	
19-28	92901-10100	WASHER, spring .....	4 4	x	x	x	x	x	x	x	x	x	x	x	x	x	x	x	
19-29	90445-19307	HOSE .....	1 1																

Fig. 20 BRAKE PEDAL · MASTER CYLINDER



Ref. No.	Parts No.	Description	Q'ty		Applicable Machine No.	Remarks
			250	400		
20- 1	1A0-27211-00-33	PEDAL, brake .....	1	1		
20- 2	1A1-27212-01	SHAFT, brake .....	1	1		
20- 3	97321-06030	BOLT, hexagon .....	1	1		
20- 4	92901-06100	WASHER, spring .....	1	1		
20- 5	90508-40348	SPRING, torsion .....	1	1		
20- 6	1A1-27222-01	JOINT .....	1	1		
20- 7	1A1-27231-01	ROD, brake .....	1	1		
20- 8	90240-08013	PIN, with hole (307-18118-00)...	1	1		
20- 9	90201-08083	WASHER, plate (156-27226-00)..	1	1		
20-10	91401-16012	PIN, cotter .....	1	1		
20-11	1A0-21445-01-33	STAY, muffler left .....	1	1		Yamaha Black
20-12	1A0-21446-01-33	STAY, muffler right .....	1	1		Yamaha Black
20-13	97321-08020	BOLT, hexagon .....	4	4		
20-14	92901-08100	WASHER, spring .....	4	4		
20-15	120-27431-00	ARM, rear footrest .....	2	2		
20-16	120-27433-00	COVER, rear footrest .....	2	2		
20-17	91501-06035	PIN, clevis .....	2	2		
20-18	90201-20279	WASHER, plate .....	2	2		
20-19	91401-16012	PIN, cotter .....	2	2		
20-20	90101-06288	BOLT .....	1	1		
20-21	95301-06700	NUT, hexagon .....	1	1		
20-22	1A3-25850-50	MASTER CYLINDER ASS'Y, rear	1	1		
20-23	1A3-20000-50	. CYLINDER KIT, master .....	1	1		
20-24	1A1-25899-50	. BOLT, union .....	1	1		
20-25	1A1-25898-50	. GASKET .....	1	1		
20-26	97301-08016	BOLT, hexagon .....	2	2		
20-27	92901-08100	WASHER, spring .....	2	2		
20-28	1A1-25894-01	TANK, reservoir .....	1	1		
20-29	360-25854-00	DIAPHRAGM, reservoir .....	1	1		

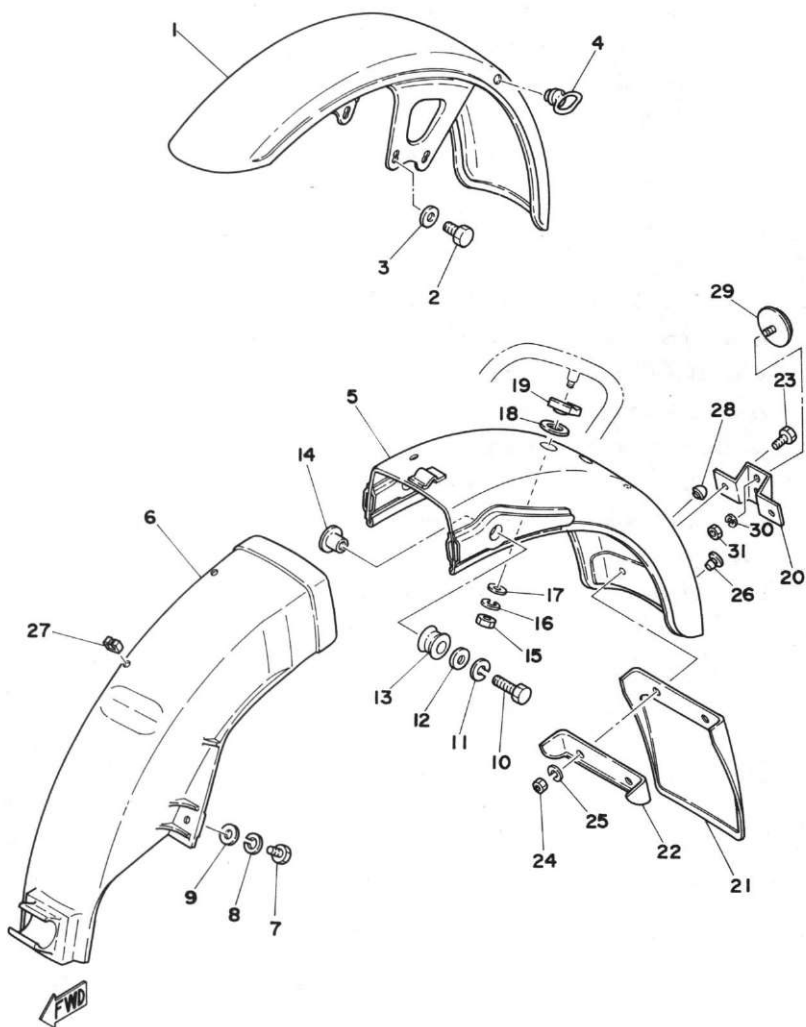
Fig. 20 BRAKE PEDAL · MASTER CYLINDER



Ref. No.	Parts No.	Description	Q'ty		Applicable Machine No.	Remarks
			250	400		
20-30	360-25855-01	GASKET, diaphragm .....	1	1		
20-31	1A1-25852-00	CAP, reservoir .....	1	1		
20-32	1A1-21798-00	BRACKET, reservoir tank ....	1	1		
20-33	90201-06050	WASHER, plate .....	1	1		
20-34	92501-06018	SCREW, panhead .....	1	1		
20-35	92501-06015	SCREW, panhead .....	1	1		
20-36	92901-06100	WASHER, spring .....	2	2		
20-37	92901-06200	WASHER, plain .....	1	1		
20-38	1A1-25895-00	HOSE, reservoir .....	1	1		
20-39	90460-16068	CLAMP, hose .....	2	2		
20-40	1A1-25872-52	HOSE, brake .....	1	1		
20-41	90401-10034	BOLT, union .....	2	2		
20-42	90201-10118	WASHER, plate .....	4	4		
20-43	341-83980-30	FRONT STOP SWITCH ASS'Y ..	1	1		
20-44	90201-10128	WASHER, plate (341-83909-00)..	1	1		
20-45	1A1-82531-00	WIRE, lead .....	1	1		
20-46	90501-10406	SPRING, compression .....	1	1		
20-47	95301-08700	NUT, hexagon .....	1	1		



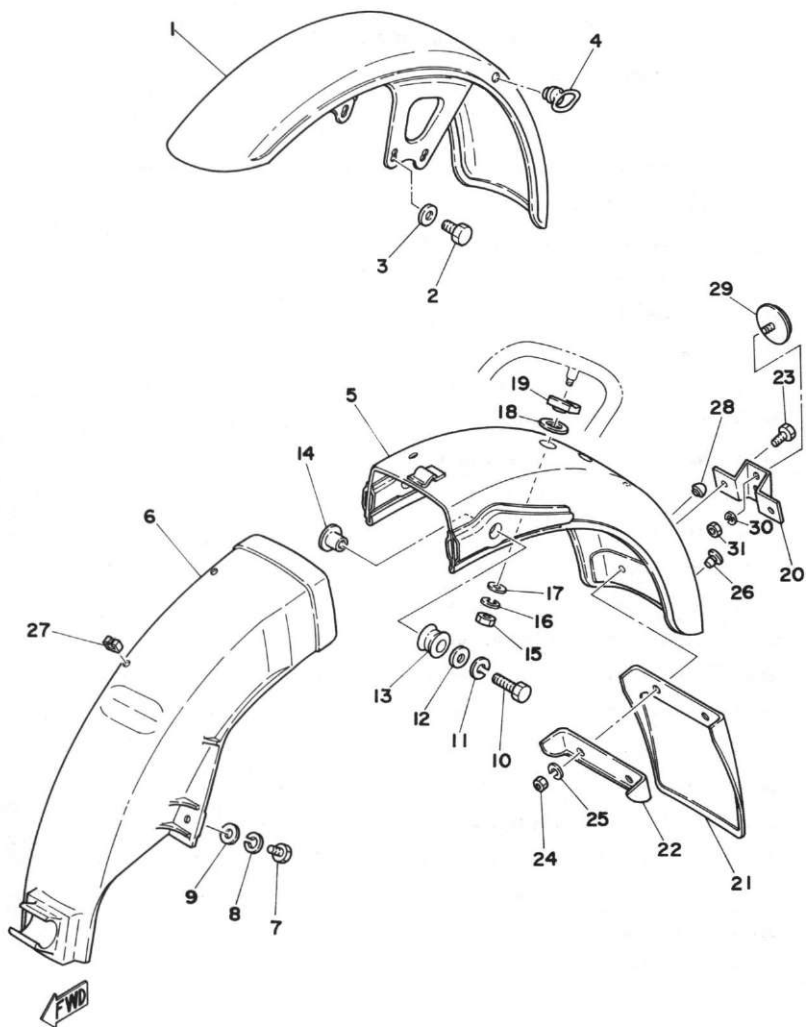
Fig. 21 FRONT FENDER · REAR FENDER



Ref. No.	Parts No.	Description	Q'ty		FRANCE	HOLLAND	SWITZERLAND	W. GERMANY	BELGIUM	SWEDEN	FINLAND	DENMARK	NORWAY	AUSTRIA	ENGLAND	ITALY	Remarks
			250	400													
21- 1	1A0-21510-02-93	FRONT FENDER COMP. . .	1	1	x	x	x	x	x	x	x	x	x	x	x	x	
21- 2	90101-08253	BOLT . . . . .	4	4	x	x	x	x	x	x	x	x	x	x	x	x	
21- 3	90201-08097	WASHER, plate (700-48192-10) . . . . .	4	4	x	x	x	x	x	x	x	x	x	x	x	x	
21- 4	1A0-21518-00	HOLDER, wire . . . . .	1	1	x	x	x	x	x	x	x	x	x	x	x	x	
21- 5	1A2-21610-10-93	REAR FENDER COMP. . .	1	1			x	x	x			x					
	1A0-21610-10-93	REAR FENDER COMP. . .	1	1	x	x		x							x	x	x
21- 6	1A0-21629-00	MUD, guard . . . . .	1	1	x	x	x	x	x	x	x	x	x	x	x	x	
21- 7	97301-06016	BOLT, hexagon . . . . .	2	2	x	x	x	x	x	x	x	x	x	x	x	x	
21- 8	92901-06100	WASHER, spring . . . . .	2	2	x	x	x	x	x	x	x	x	x	x	x	x	
21- 9	92901-06600	WASHER, plate . . . . .	2	2	x	x	x	x	x	x	x	x	x	x	x	x	
21-10	97301-10035	BOLT, hexagon . . . . .	2	2	x	x	x	x	x	x	x	x	x	x	x	x	
21-11	92901-10100	WASHER, spring . . . . .	2	2	x	x	x	x	x	x	x	x	x	x	x	x	
21-12	92901-10600	WASHER, plate . . . . .	2	2	x	x	x	x	x	x	x	x	x	x	x	x	
21-13	168-21639-00	DAMPER, rear . . . . .	2	2	x	x	x	x	x	x	x	x	x	x	x	x	
21-14	90179-10220	NUT . . . . .	2	2	x	x	x	x	x	x	x	x	x	x	x	x	
21-15	95301-06600	NUT, hexagon . . . . .	1	1	x	x	x	x	x	x	x	x	x	x	x	x	
21-16	92901-06100	WASHER, spring . . . . .	1	1	x	x	x	x	x	x	x	x	x	x	x	x	
21-17	90201-06073	WASHER, plate . . . . .	1	1	x	x	x	x	x	x	x	x	x	x	x	x	
21-18	90202-15105	WASHER, plate . . . . .	1	1	x	x	x	x	x	x	x	x	x	x	x	x	
21-19	1A2-21638-00	DAMPER, rear fender . .	1	1	x	x	x	x	x	x	x	x	x	x	x	x	
21-20	413-21641-00	BRACKET, reflector . . .	1	1			x				x						
21-21	413-21621-90	FLAP, rear fender . . . .	1	1							x						
21-22	413-21622-90	BAND, flap . . . . .	1	1							x						
21-23	97301-06016	BOLT, hexagon . . . . .	2	2			x				x						
21-24	95301-06600	NUT, hexagon . . . . .	2	2			x				x						
21-25	92901-06100	WASHER, spring . . . . .	2	2			x				x						
21-26	90338-07043	PLUG (288-83319-00) . . .	2	2				x					x				
21-27	90464-08020	CLAMP . . . . .	2	2	x	x	x	x	x	x	x	x	x	x	x	x	

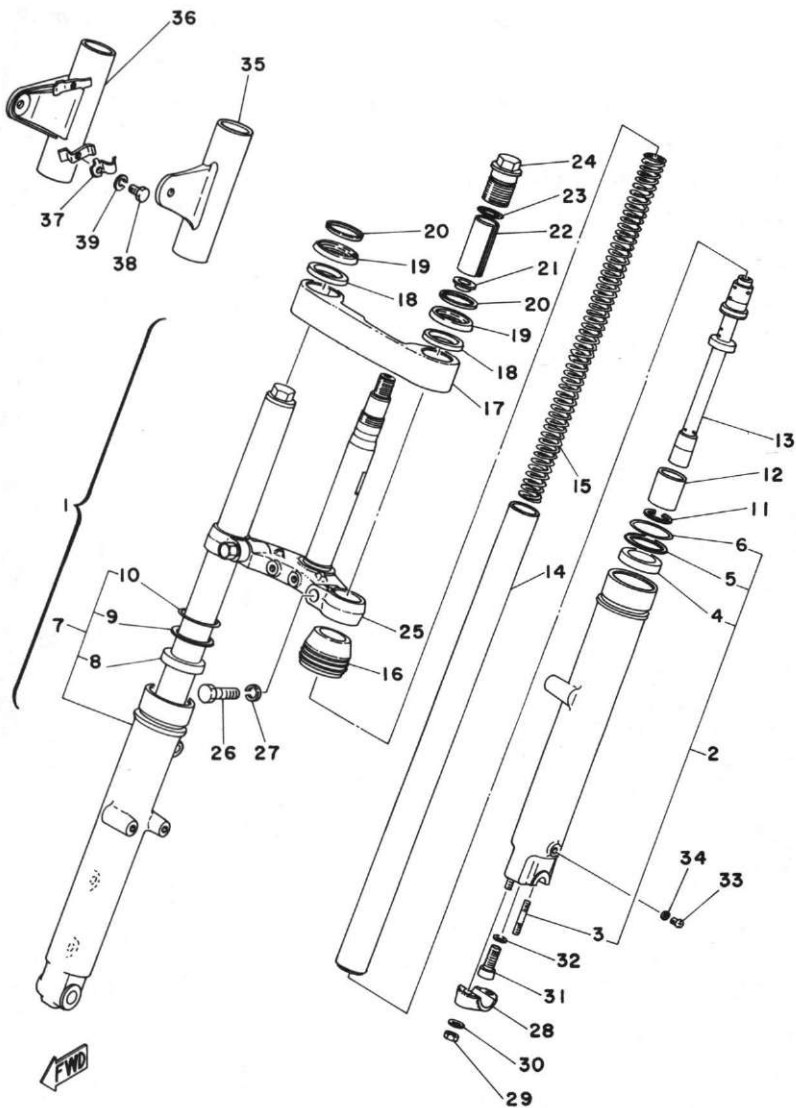


Fig. 21 FRONT FENDER · REAR FENDER



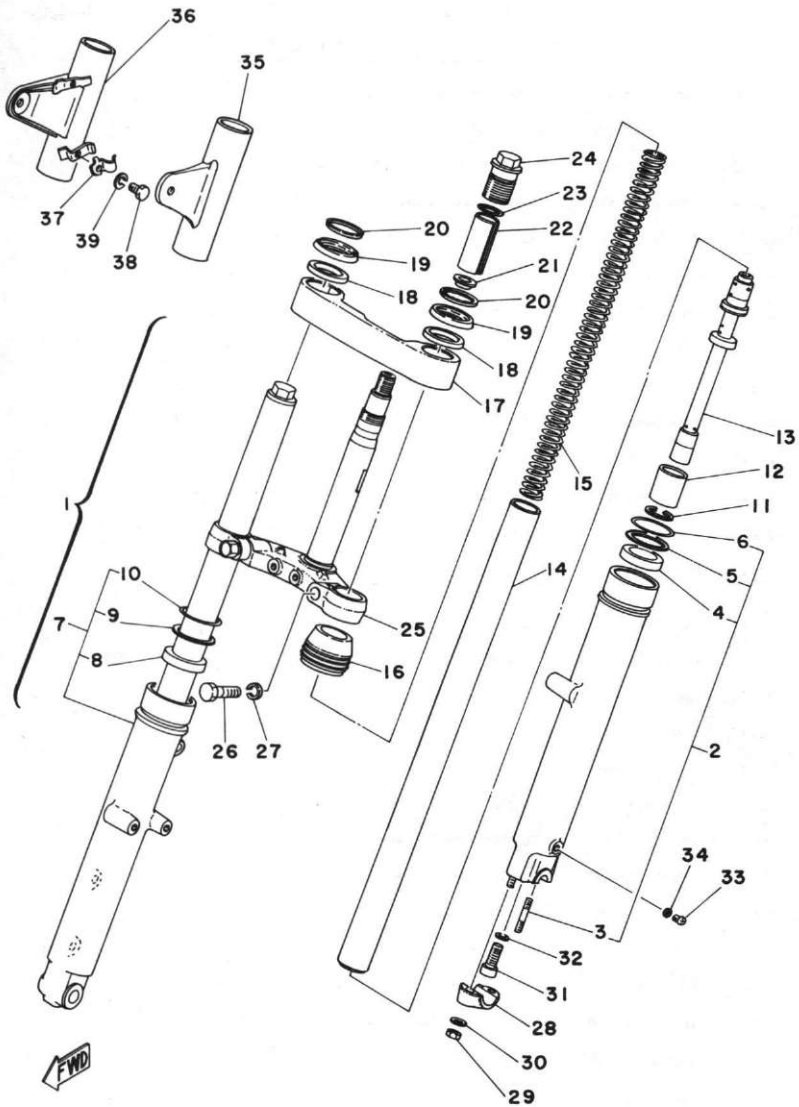
Ref. No.	Parts No.	Description	Q'ty		FRANCE	HOLLAND	WEST GERMANY	SWITZERLAND	BELGIUM	SWEDEN	FINLAND	DENMARK	NORWAY	AUSTRIA	ENGLAND	ITALY	Remarks
			250	400													
21-28	170-21746-00	DAMPER, cleaner stopper	1	1	x	x	x	x	x	x	x	x	x	x	x	x	
21-29	449-85131-01	REFLECTOR	1	1				x		x							
21-30	92901-05100	WASHER, spring	1	1			x		x								
21-31	95301-05600	NUT, hexagon	1	1	x				x								

Fig. 22 FRONT FORK



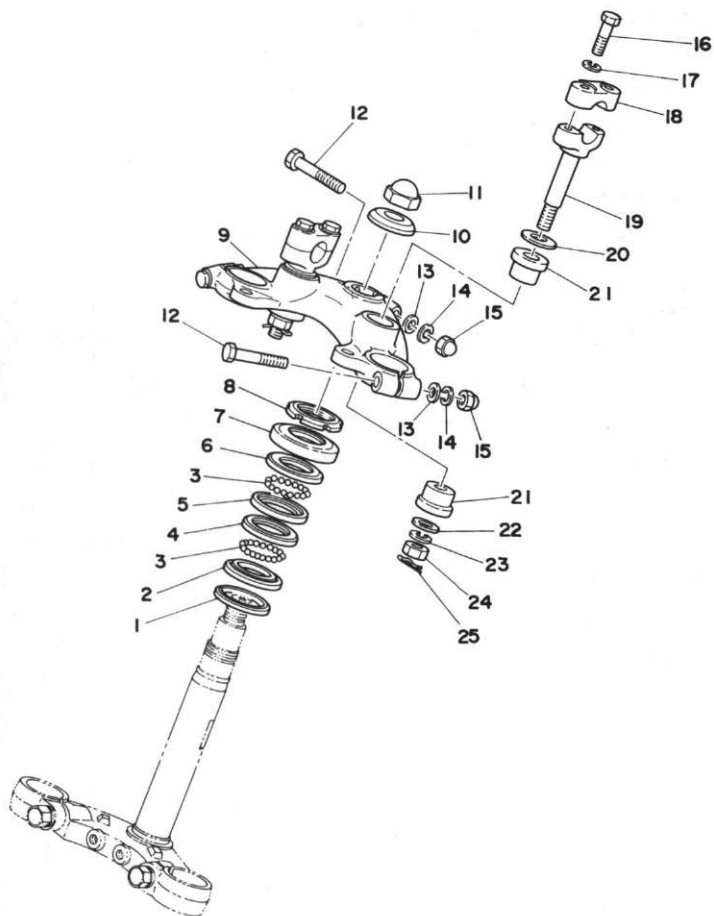
Ref. No.	Parts No.	Description	Q'ty		FRANCE	HOLLAND	W. GERMANY	SWITZERLAND	BELGIUM	FINLAND	DENMARK	NORWAY	AUSTRIA	ENGLAND	ITALY	Remarks
				250 400												
22- 1	1A2-23101-32	FRONT FORK ASS'Y	...	1 1			x		x							
	1A3-23101-01	FRONT FORK ASS'Y	...	1 1	x	x	x	x	x		x		x	x	x	
22- 2	1A0-23126-01	. TUBE, outer left	.....	1 1	x	x	x	x	x	x	x		x	x	x	
22- 3	278-23128-51	. . BOLT, axle holder	...	2 2	x	x	x	x	x	x	x		x	x	x	
22- 4	278-23145-51	. . OIL SEAL	.....	1 1	x	x	x	x	x	x	x		x	x	x	
22- 5	214-23146-00	. . WASHER, oil seal	...	1 1	x	x	x	x	x	x	x		x	x	x	
22- 6	214-23156-00	. . CLIP, oil seal	.....	1 1	x	x	x	x	x	x	x		x	x	x	
22- 7	1A0-23136-01	. TUBE, outer right	....	1 1	x	x	x	x	x	x	x		x	x	x	
22- 8	278-23145-51	. . OIL SEAL	.....	1 1	x	x	x	x	x	x	x		x	x	x	
22- 9	214-23146-00	. . WASHER, oil seal	....	1 1	x	x	x	x	x	x	x		x	x	x	
22-10	214-23156-00	. . CLIP, oil seal	.....	1 1	x	x	x	x	x	x	x		x	x	x	
22-11	93450-30033	. CIRCLIP	.....	2 2	x	x	x	x	x	x	x		x	x	x	
22-12	434-23171-00	. PISTON, front fork	....	2 2	x	x	x	x	x	x	x		x	x	x	
22-13	1A0-23170-02	. CYLINDER COMP., front fork	.....	2 2	x	x	x	x	x	x	x		x	x	x	
22-14	1A0-23124-01	. TUBE, inner	.....	2 2	x	x	x	x	x	x	x		x	x	x	
22-15	1A3-23141-00	. SPRING, fork	.....	2 2	x	x	x	x	x	x	x		x	x	x	
22-16	584-23144-50	. SEAL, dust	.....	2 2	x	x	x	x	x	x	x		x	x	x	
22-17	1A0-23122-00	. COVER, outer	.....	1 1	x	x	x	x	x	x	x		x	x	x	
22-18	291-23163-61	. PACKING	.....	2 2	x	x	x	x	x	x	x		x	x	x	
22-19	1A0-23116-00	. GUIDE, cover under	...	2 2	x	x	x	x	x	x	x		x	x	x	
22-20	321-23115-50	. GUIDE, cover upper	...	2 2	x	x	x	x	x	x	x		x	x	x	
22-21	256-23142-60	. SEAT, spring upper	...	2 2	x	x	x	x	x	x	x		x	x	x	
22-22	306-23118-60	. SPACER	.....	2 2	x	x	x	x	x	x	x		x	x	x	
22-23	214-23114-00	. PACKING	.....	2 2	x	x	x	x	x	x	x		x	x	x	
22-24	366-23111-60	. BOLT, cap	.....	2 2	x	x	x	x	x	x	x		x	x	x	
22-25	1A2-23340-30-33	. UNDER BRACKET COMP.		1 1			x		x							Yamaha Black
	1A0-23340-00-33	. UNDER BRACKET COMP.		1 1	x	x	x	x	x		x		x	x	x	Yamaha Black

Fig. 22 FRONT FORK



Ref. No.	Parts No.	Description	Q'ty												Remarks		
				250	400	FRANCE	ENGLAND	WEST GERMANY	SWITZERLAND	NETHERLANDS	SPAIN	SCANDINAVIA	AUSTRALIA	INDONESIA		ITALY	
22-26	306-23346-60	. BOLT, under bracket ..	2 2	x	x	x	x	x	x	x	x	x	x	x	x	x	
22-27	92901-12100	. WASHER, spring .....	2 2	x	x	x	x	x	x	x	x	x	x	x	x	x	
22-28	306-23167-60	. HOLDER, axle .....	1 1	x	x	x	x	x	x	x	x	x	x	x	x	x	
22-29	90185-08054	. NUT U .....	2 2	x	x	x	x	x	x	x	x	x	x	x	x	x	
22-30	92901-08600	. WASHER, plate .....	2 2	x	x	x	x	x	x	x	x	x	x	x	x	x	
22-31	278-23181-50	. BOLT .....	2 2	x	x	x	x	x	x	x	x	x	x	x	x	x	
22-32	509-25158-10	. PACKING .....	2 2	x	x	x	x	x	x	x	x	x	x	x	x	x	
22-33	122-23119-01	. PLUG, drain .....	2 2	x	x	x	x	x	x	x	x	x	x	x	x	x	
22-34	122-23129-00	. GASKET, drain plug ...	2 2	x	x	x	x	x	x	x	x	x	x	x	x	x	
22-35	1A0-23121-01-33	COVER, upper left .....	1 1	x	x	x	x	x	x	x	x	x	x	x	x	x	Yamaha Black
22-36	1A0-23131-01-33	COVER, upper right .....	1 1	x	x	x	x	x	x	x	x	x	x	x	x	x	Yamaha Black
22-37	1A0-23164-00	STAY, fitting .....	2 2	x	x	x	x	x	x	x	x	x	x	x	x	x	
22-38	97301-06012	BOLT, hexagon .....	2 2	x	x	x	x	x	x	x	x	x	x	x	x	x	
22-39	92901-06100	WASHER, spring .....	2 2	x	x	x	x	x	x	x	x	x	x	x	x	x	

Fig. 23 STEERING

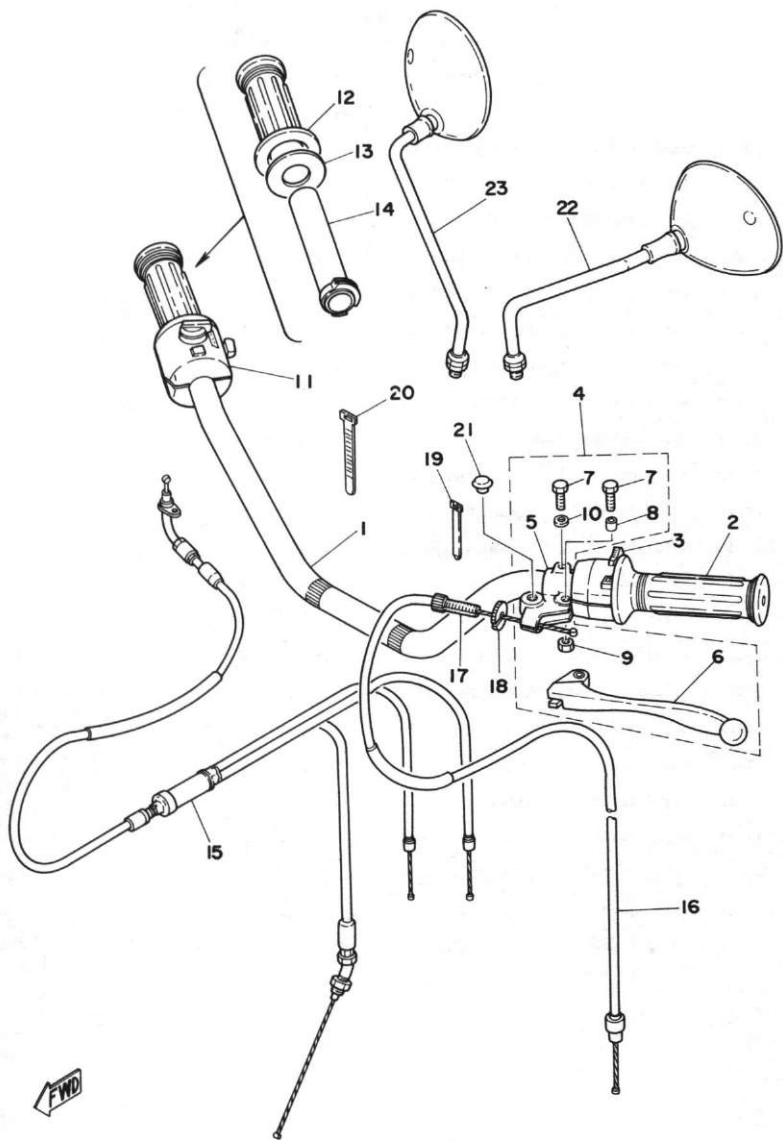


Ref. No.	Parts No.	Description	Q'ty		Applicable Machine No.	Remarks
			250	400		
23- 1	164-23462-00	SEAL, dust	1	1		
23- 2	156-23411-00	RACE, ball 1	1	1		
23- 3	93501-04011	BALL (1/4 inch)	38	38		
23- 4	156-23412-00	RACE, ball 2	1	1		
23- 5	183-23412-00	RACE, ball 2	1	1		
23- 6	183-23411-00	RACE, ball 1	1	1		
23- 7	136-23415-00	COVER, ball race	1	1		
23- 8	90179-25033	NUT (137-23454-00)	1	1		
23- 9	1A0-23435-01-98	CROWN, handle	1	1		Low Gloss Black
23-10	90209-17057	WASHER (174-23443-00)	1	1		
23-11	90176-16016	NUT, cap	1	1		
23-12	97323-08055	BOLT, hexagon	3	3		
23-13	90201-08083	WASHER, plate	3	3		
23-14	92903-08100	WASHER, spring	3	3		
23-15	95303-08800	NUT, crown	3	3		
23-16	97323-08030	BOLT, hexagon	4	4		
23-17	92901-08100	WASHER, spring	4	4		
23-18	315-23441-00-98	HOLDER, handle upper	2	2		Low Gloss Black
23-19	256-23442-00-98	HOLDER, handle under	2	2		Low Gloss Black
23-20	90201-12195	WASHER, plate (167-22243-00)	2	2		
23-21	90385-12027	BUSHING	4	4		
23-22	90201-10146	WASHER, plate	2	2		
23-23	92901-10100	WASHER, spring	2	2		
23-24	95301-10700	NUT, hexagon	2	2		
23-25	90468-12006	CLIP (136-25375-00)	2	2		





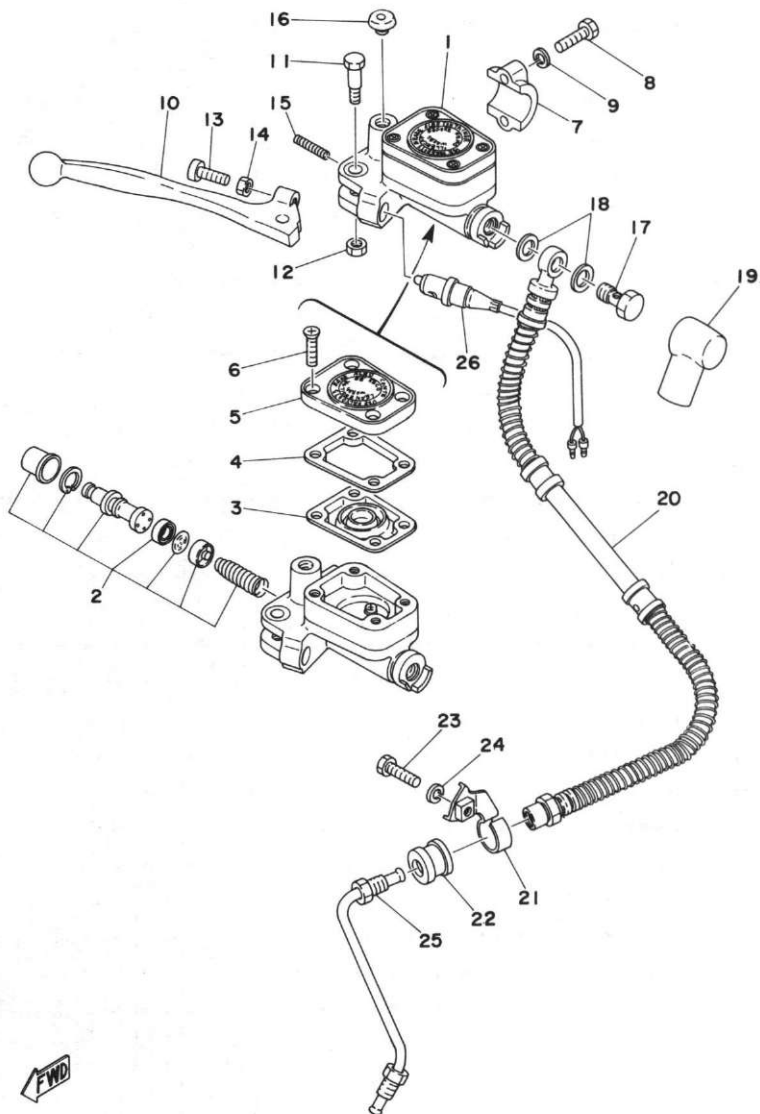
Fig. 24 HANDLE · WIRE



FWD

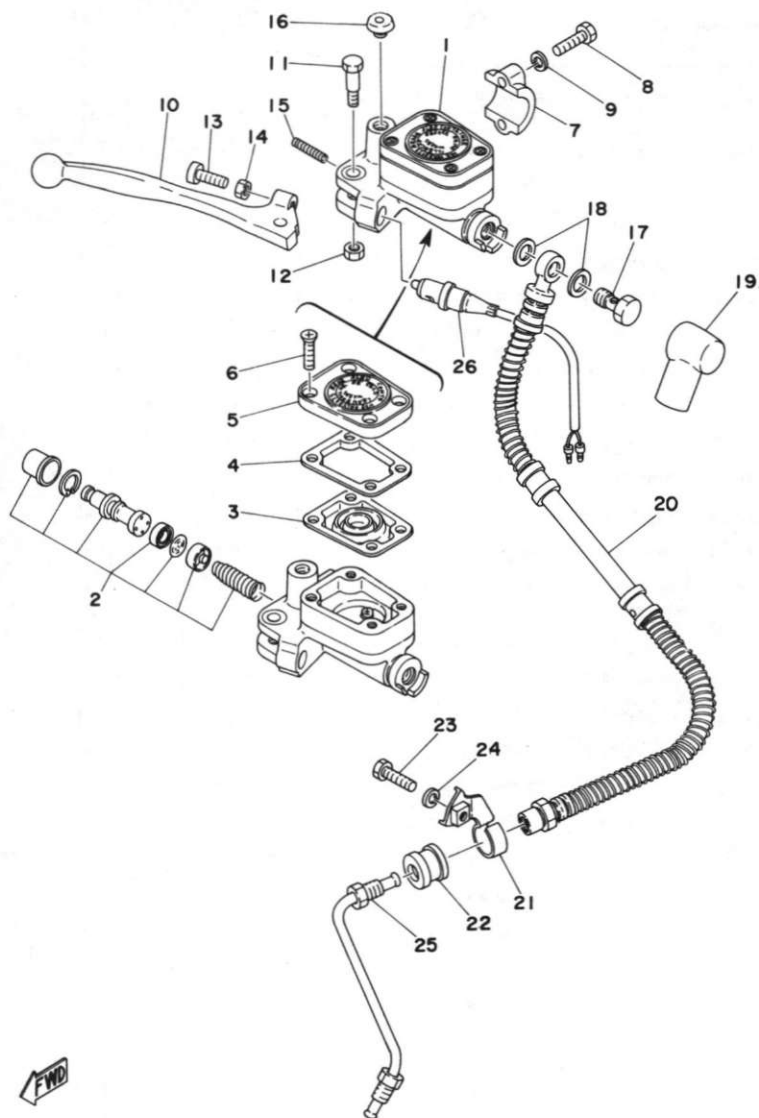
Ref. No.	Parts No.	Description	Q'ty	250 400											Remarks	
				FRANCE	HOLLAND	GERMANY	SWITZERLAND	BELGIUM	SWEDEN	FINLAND	DENMARK	NORWAY	AUSTRIA	ENGLAND		ITALY
24- 1	278-26111-01	HANDLE .....	1 1	x	x	x	x	x	x	x	x	x	x	x	x	Up Handle
	413-26111-21	HANDLE .....	1 1	x	x	x	x	x	x	x	x	x	x	x	x	Alternate Parts Bar Handle
24- 2	1E6-26241-00	GRIP, left .....	1 1	x	x	x	x	x	x	x	x	x	x	x	x	
24- 3	1A2-83972-01-98	SWITCH, handle 4 .....	1 1	x	x	x	x	x	x	x	x	x	x	x	x	Low Gloss Black
24- 4	360-82910-00	LEVER HOLDER ASS'Y, left 1	1 1	x	x	x	x	x	x	x	x	x	x	x	x	
24- 5	341-82911-00	. HOLDER, lever left ...	1 1	x	x	x	x	x	x	x	x	x	x	x	x	
24- 6	214-83912-00	. LEVER, left .....	1 1	x	x	x	x	x	x	x	x	x	x	x	x	
24- 7	97301-06022	. BOLT, hexagon .....	2 2	x	x	x	x	x	x	x	x	x	x	x	x	
24- 8	214-83913-00	. COLLAR, lever .....	1 1	x	x	x	x	x	x	x	x	x	x	x	x	
24- 9	95301-06100	. NUT, hexagon .....	1 1	x	x	x	x	x	x	x	x	x	x	x	x	
24-10	92901-06100	. WASHER, spring .....	1 1	x	x	x	x	x	x	x	x	x	x	x	x	
24-11	1A0-83975-00-98	SWITCH, handle 2 .....	1 1	x	x	x	x	x	x	x	x	x	x	x	x	Low Gloss Black
24-12	1A0-26242-01	GRIP, right .....	1 1	x	x	x	x	x	x	x	x	x	x	x	x	
24-13	278-26249-00	RING, leaf .....	1 1	x	x	x	x	x	x	x	x	x	x	x	x	
24-14	1A0-26243-01	TUBE, guide .....	1 1	x	x	x	x	x	x	x	x	x	x	x	x	
24-15	1A0-26260-00	WIRE CYLINDER ASS'Y ..	1 1	x	x	x	x	x	x	x	x	x	x	x	x	Up Handle
	1A2-26260-20	WIRE CYLINDER ASS'Y ..	1 1	x	x	x	x	x	x	x	x	x	x	x	x	Alternate Parts Bar Handle
24-16	1A0-26335-00	WIRE, clutch .....	1 1	x	x	x	x	x	x	x	x	x	x	x	x	
24-17	90123-08046	BOLT, wire adjusting ...	1 1	x	x	x	x	x	x	x	x	x	x	x	x	
24-18	90179-08148	NUT (168-26344-00) ....	1 1	x	x	x	x	x	x	x	x	x	x	x	x	
24-19	168-83936-01	BAND, switch cord ....	4 4	x	x	x	x	x	x	x	x	x	x	x	x	
24-20	366-82591-00	BAND .....	1 1	x	x	x	x	x	x	x	x	x	x	x	x	
24-21	90338-09012	PLUG (341-26329-00) ...	1 1													
24-22	1J7-26290-11	BACK MIRROR ASS'Y, left 1	1 1		x	x	x	x	x	x	x	x	x	x	x	(England Optional Parts)
	341-26290-20	BACK MIRROR ASS'Y, left 1	1 1	x												
24-23	1J7-26290-01	BACK MIRROR ASS'Y, right 1	1 1		x	x	x	x	x	x	x	x	x	x	x	Optional Parts (England STD)
	341-26290-70	BACK MIRROR ASS'Y, right 1	1 1	x												Optional Parts

Fig. 25 MASTER CYLINDER · BRAKE HOSE



Ref. No.	Parts No.	Description	Q'ty		FRANCE	HOLLAND	WEST GERMANY	SWITZERLAND	BELGIUM	SWEDEN	FINLAND	DENMARK	NORWAY	AUSTRIA	ENGLAND	ITALY	Remarks
			250	400													
25- 1	1A0-25850-02	MASTER CYLINDER ASS'Y, front .....	1	1	x	x	x	x	x	x	x	x	x	x	x	x	
25- 2	1A0-20000-10	. CYLINDER KIT, master	1	1	x	x	x	x	x	x	x	x	x	x	x	x	
25- 3	1A0-25854-01	. DIAPHRAGM, reservoir	1	1	x	x	x	x	x	x	x	x	x	x	x	x	
25- 4	1A0-25855-01	. GASKET, reservoir ...	1	1	x	x	x	x	x	x	x	x	x	x	x	x	
25- 5	1A0-25893-01	. RESERVOIR CAP ASS'Y	1	1	x	x	x	x	x	x	x	x	x	x	x	x	
25- 6	1A0-25824-01	. SCREW .....	4	4	x	x	x	x	x	x	x	x	x	x	x	x	
25- 7	341-25867-00	BRACKET, master .....	1	1	x	x	x	x	x	x	x	x	x	x	x	x	
25- 8	97301-06025	BOLT, hexagon .....	2	2	x	x	x	x	x	x	x	x	x	x	x	x	
25- 9	92901-06100	WASHER, spring .....	2	2	x	x	x	x	x	x	x	x	x	x	x	x	
25-10	1A0-83922-00	LEVER, right .....	1	1	x	x	x	x	x	x	x	x	x	x	x	x	
25-11	90109-06465	BOLT .....	1	1	x	x	x	x	x	x	x	x	x	x	x	x	
25-12	95601-06100	NUT, U .....	1	1	x	x	x	x	x	x	x	x	x	x	x	x	
25-13	90146-06008	SCREW .....	1	1	x	x	x	x	x	x	x	x	x	x	x	x	
25-14	90170-06010	NUT (306-83927-00) ....	1	1	x	x	x	x	x	x	x	x	x	x	x	x	
25-15	90501-10312	SPRING, compression (306-83924-00) .....	1	1	x	x	x	x	x	x	x	x	x	x	x	x	
25-16	90338-09012	PLUG (341-26329-00) ...	1	1	x	x	x	x	x	x	x	x	x	x	x	x	
25-17	90401-10034	BOLT, union .....	1	1	x	x	x	x	x	x	x	x	x	x	x	x	
25-18	90201-10118	WASHER, plate .....	2	2	x	x	x	x	x	x	x	x	x	x	x	x	
25-19	360-25862-00	BOOT, master cylinder	1	1	x	x	x	x	x	x	x	x	x	x	x	x	
25-20	1A0-25872-02	HOSE, brake .....	1	1	x	x	x	x	x	x	x	x	x	x	x	x	Up Handle
	1A2-25872-22	HOSE, brake .....	1	1	x	x	x	x	x	x	x	x	x	x	x	x	Alternate Parts Bar Handle
25-21	1A0-25876-00	HOLDER, brake hose ....	1	1	x	x	x	x	x	x	x	x	x	x	x	x	
25-22	306-25881-00	RUBBER, brake hose ....	1	1	x	x	x	x	x	x	x	x	x	x	x	x	
25-23	97301-06025	BOLT, hexagon .....	1	1	x	x	x	x	x	x	x	x	x	x	x	x	
25-24	92901-06100	WASHER, spring .....	1	1	x	x	x	x	x	x	x	x	x	x	x	x	

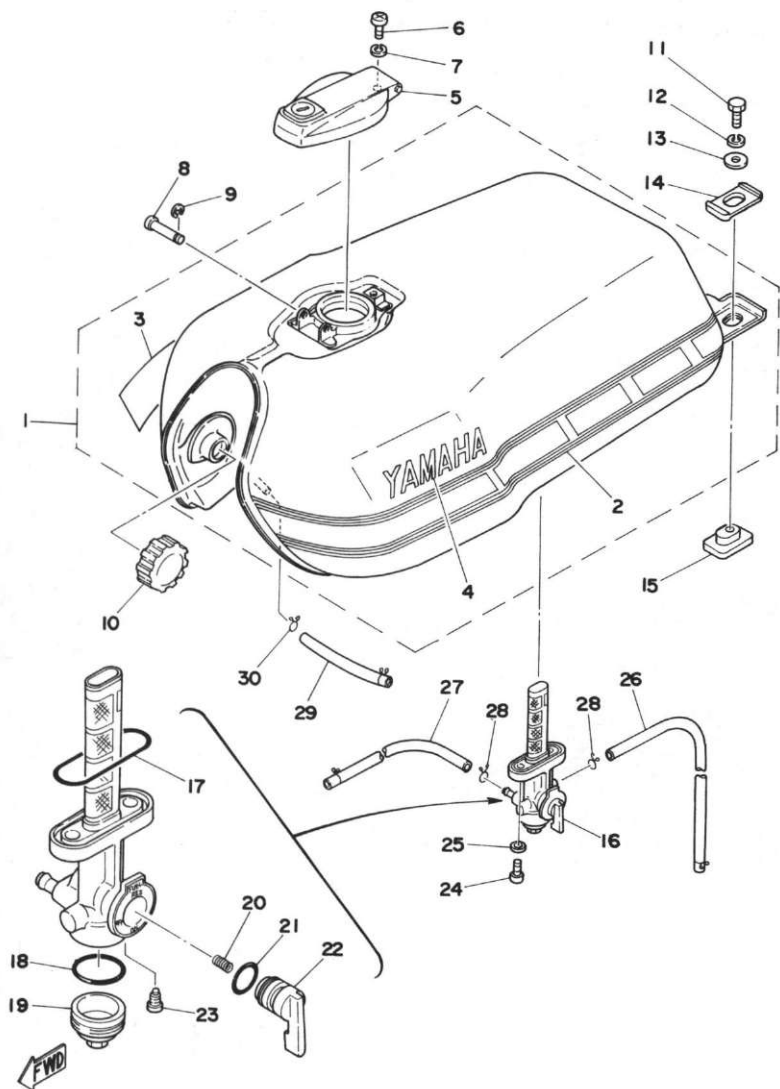
Fig. 25 MASTER CYLINDER · BRAKE HOSE



FWD

Ref. No.	Parts No.	Description	Q'ty		FINLAND	HOLLAND	WEST GERMANY	SWITZERLAND	BELGIUM	SWEDEN	FINLAND	DENMARK	NORWAY	AUSTRIA	ENGLAND	ITALY	Remarks
			250	400													
25-25	1A0-25871-00	PIPE, brake	1	1	X	X	X	X	X	X	X	X	X	X	X	X	
	1A2-25871-40	PIPE, brake	1	1					X								
25-26	1A0-83980-30	FRONT STOP SWITCH ASS'Y	1	1	X	X	X	X	X	X	X	X	X	X	X	X	

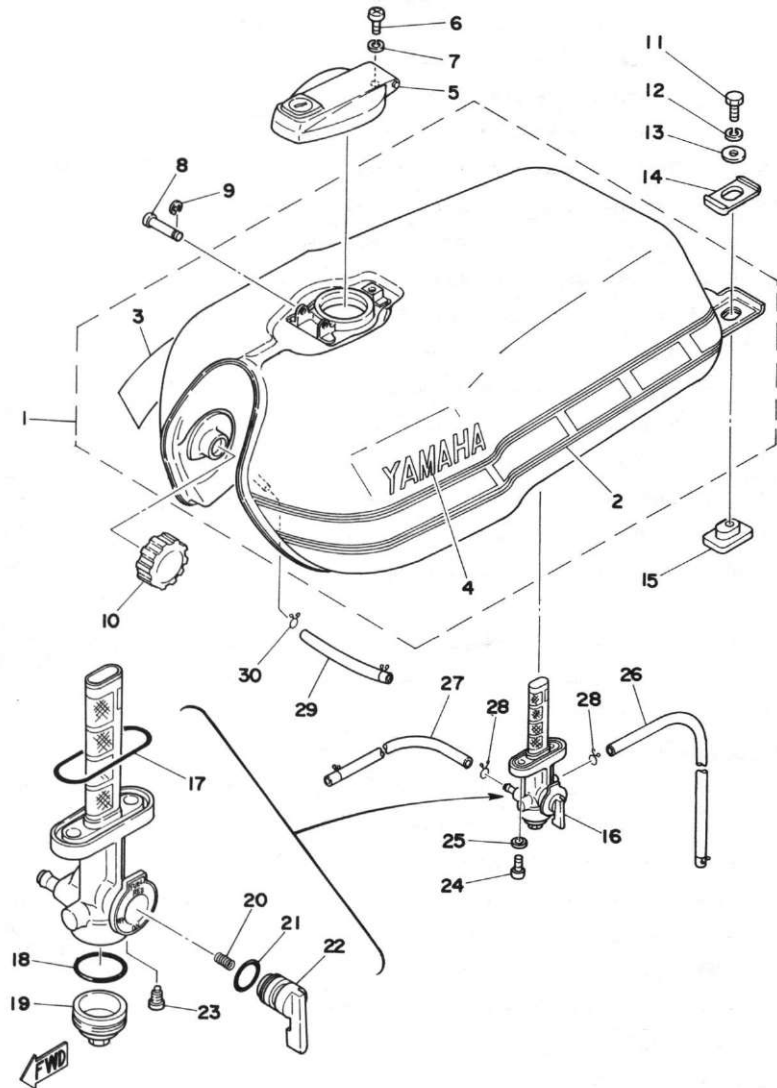
Fig. 26 FUEL TANK



Ref. No.	Parts No.	Description	Q'ty		Applicable Machine No.	Remarks
			250	400		
26- 1	1A2-24110-00-X5	FUEL TANK COMP. ....	1	1		Modena Red
	1A2-24110-00-X6	FUEL TANK COMP. ....	1	1		Candy Blue
	1A2-24110-00-X7	FUEL TANK COMP. ....	1	1		Competition Yellow
	1A2-24110-00-X8	FUEL TANK COMP. ....	1	1		Crystal Silver
26- 2	1A2-24244-21	. GRAPHIC, fuel tank left ....	1	1		
26- 3	1A2-24245-21	. GRAPHIC, fuel tank right ....	1	1		
26- 4	1A0-24161-00	. EMBLEM, fuel tank ....	2	2		
26- 5	1A0-24602-00	CAP ASS'Y .....	1	1		
26- 6	98501-05008	SCREW, panhead .....	1	1		
26- 7	92901-05100	WASHER, spring .....	1	1		
26- 8	90249-03123	PIN .....	1	1		
26- 9	93430-02001	CIRCLIP (E-1.9) .....	1	1		
26-10	278-24181-00	DAMPER, locating .....	2	2		
26-11	97301-06012	BOLT, hexagon .....	2	2		
26-12	92901-06100	WASHER, spring .....	2	2		
26-13	90209-06139	WASHER .....	2	2		
26-14	1A0-24186-00	WASHER, special .....	2	2		
26-15	1A0-24181-00	DAMPER, locating .....	2	2		
26-16	1A0-24500-02	FUEL COCK ASS'Y .....	1	1		
26-17	214-24512-00	. GASKET, body .....	1	1		
26-18	498-24522-00	. O-RING .....	1	1		
26-19	1A0-24521-00	. CUP, filter .....	1	1		
26-20	1A0-24529-01	. SPRING .....	1	1		
26-21	1A0-24512-00	. O-RING .....	1	1		
26-22	1A0-24524-01	. LEVER, cock .....	1	1		
26-23	1A0-24535-00	. SCREW .....	1	1		
26-24	90149-06011	SCREW (256-24143-00) .....	2	2		
26-25	90202-06010	WASHER, plate (178-14766-00)	2	2		
26-26	90445-09094	HOSE (168-24312-00 5-210) ..	1	1		

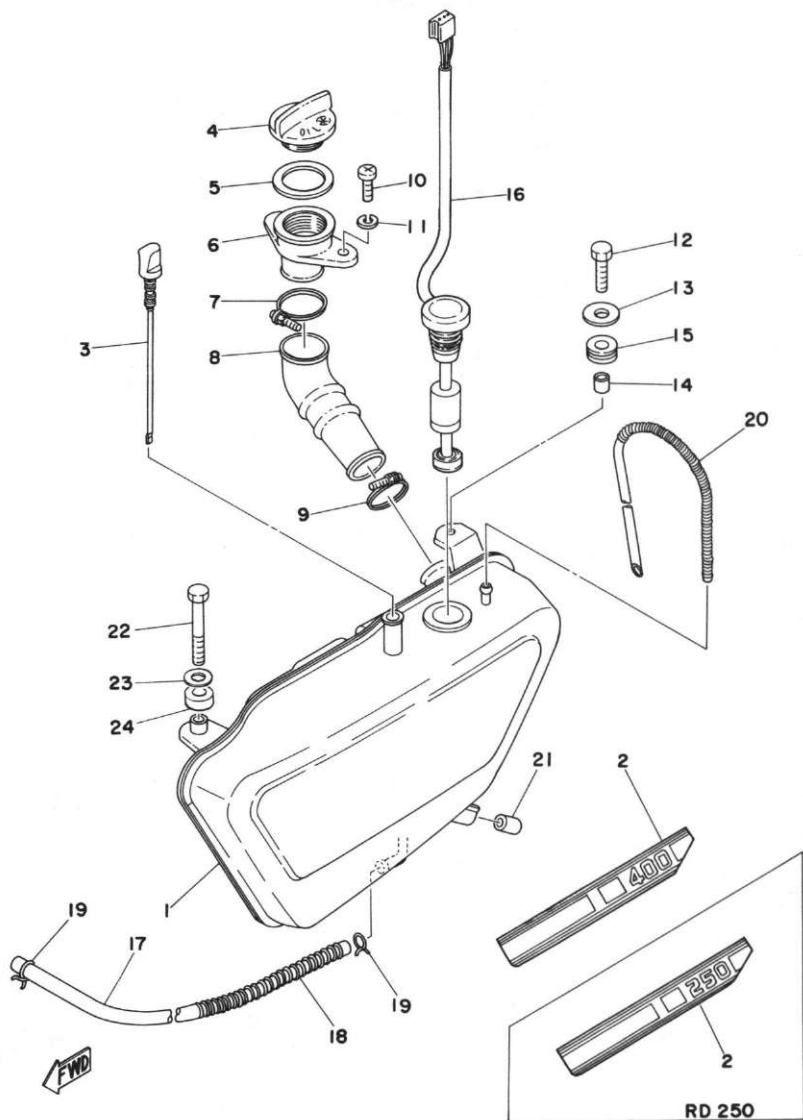


Fig. 26 FUEL TANK



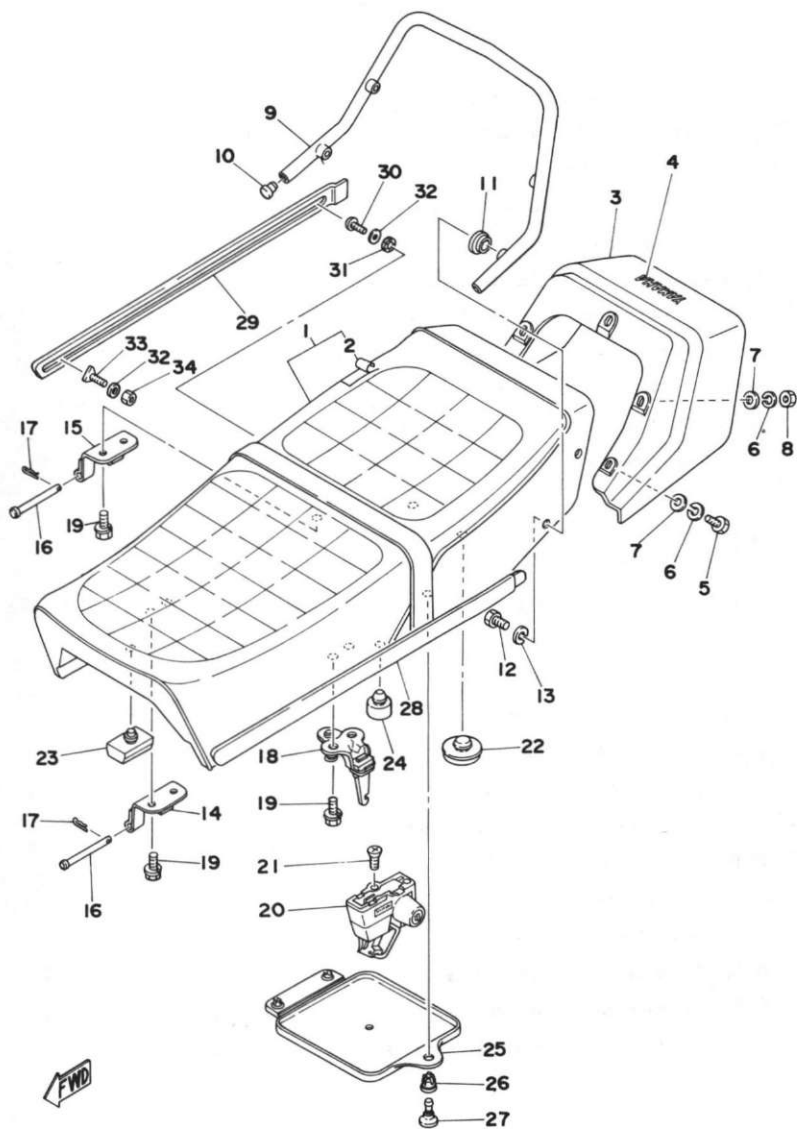
Ref. No.	Parts No.	Description	Q'ty		Applicable Machine No.	Remarks
			250	400		
26-27	90445-09082	HOSE (647-24313-00 5-150) ..	1	1		
26-28	90467-08003	CLIP (101-24356-00) .....	4	4		
26-29	90445-10308	HOSE .....	1	1		
26-30	90467-09006	CLIP .....	2	2		

Fig. 27 OIL TANK



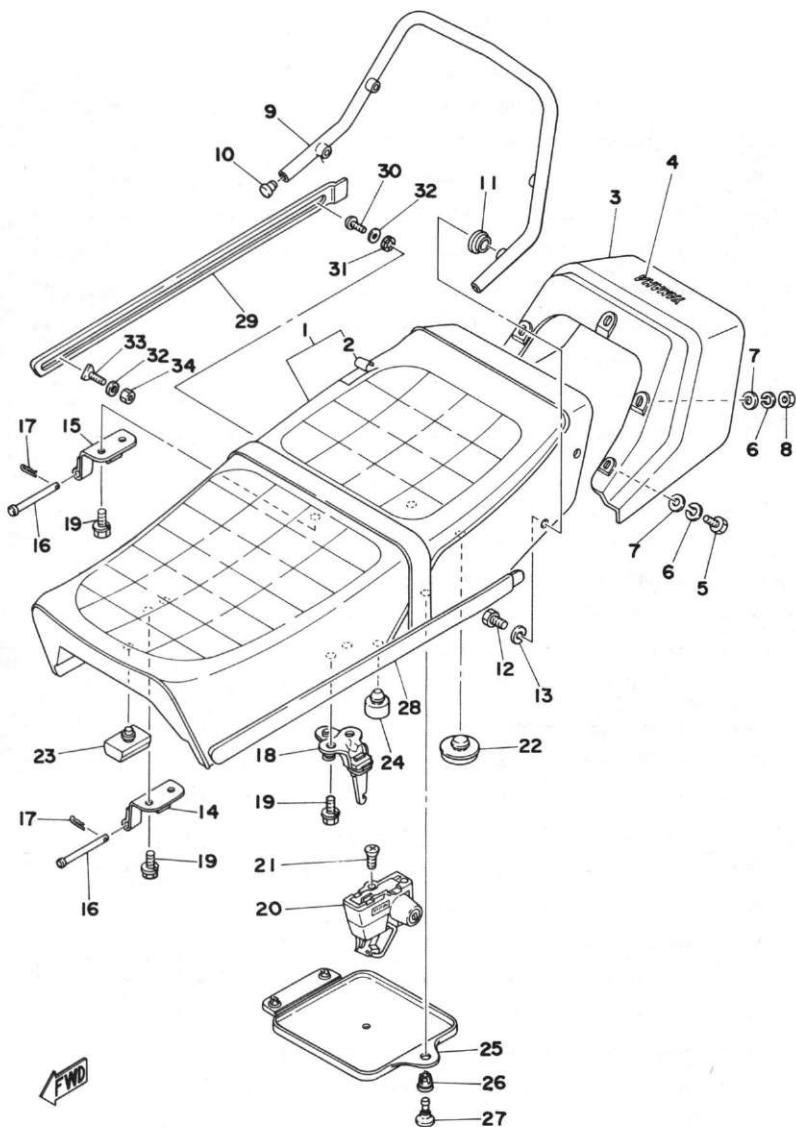
Ref. No.	Parts No.	Description	Q'ty		Applicable Machine No.	Remarks
			250	400		
27- 1	1A0-21751-00-E8	TANK, oil .....	1	1		Modena Red
	1A0-21751-00-20	TANK, oil .....	1	1		Crystal Silver
	1A0-21751-00-26	TANK, oil .....	1	1		Competition Yellow
	1A0-21751-00-29	TANK, oil .....	1	1		Candy Blue
27- 2	1A2-21784-11	GRAPHIC, oil tank .....	1			
	1A3-21784-11	GRAPHIC, oil tank .....		1		
27- 3	1A0-21792-00	GAUGE, oil level .....	1	1		
27- 4	1A0-21771-00	CAP, oil tank .....	1	1		
27- 5	90430-27124	GASKET .....	1	1		
27- 6	360-21752-00	TUBE, filler .....	1	1		
27- 7	90460-30009	CLAMP, hose (360-21765-00) ..	1	1		
27- 8	360-21753-00	TUBE, oil connector .....	1	1		
27- 9	90460-26007	CLAMP, hose (360-21755-00) ..	1	1		
27-10	92501-06020	SCREW, panhead .....	2	2		
27-11	92901-06600	WASHER, plate .....	2	2		
27-12	97302-06025	BOLT, hexagon .....	1	1		
27-13	90201-06380	WASHER, plate .....	1	1		
27-14	90387-07390	COLLAR .....	1	1		
27-15	90480-14102	GROMMET (214-21717-00) ...	1	1		
27-16	1A0-85720-02	OIL LEVEL GAUGE ASS'Y ...	1	1		
27-17	90445-09122	HOSE (278-21766-00) .....	1	1		
27-18	90501-08410	SPRING, compression .....	1	1		
27-19	90467-08003	CLIP (101-24356-00) .....	2	2		
27-20	1A0-21745-01	PIPE, oil tank breather .....	1	1		
27-21	437-21779-00	DAMPER, oil tank 2 .....	1	1		
27-22	97301-06050	BOLT, hexagon .....	1	1		
27-23	92901-06600	WASHER, plate .....	1	1		
27-24	90385-10026	BUSHING .....	1	1		

Fig. 28 SEAT



Ref. No.	Parts No.	Description	Q'ty	250 400											Remarks	
				FRANCE	HOLLAND	GERMANY	SWITZERLAND	BELGIUM	SWEDEN	FINLAND	DENMARK	NORWAY	AUSTRIA	ENGLAND		ITALY
28- 1	1A2-24730-Y0	DOUBLE SEAT ASS'Y	... 1	1	x	x	x	x	x	x	x	x	x	x	x	
	1A2-24730-W0	DOUBLE SEAT ASS'Y	... 1	1				x								
28- 2	1A2-24731-00	. COVER, double seat	... 1	1	x	x	x	x	x	x	x	x	x	x	x	
28- 3	1A2-24756-00-E8	COVER, tail	..... 1	1	x	x	x	x	x	x	x	x	x	x	x	Modena Red
	1A2-24756-00-20	COVER, tail	..... 1	1	x	x	x	x	x	x	x	x	x	x	x	Crystal Silver
	1A2-24756-00-26	COVER, tail	..... 1	1	x	x	x	x	x	x	x	x	x	x	x	Competition Yellow
	1A2-24756-00-29	COVER, tail	..... 1	1	x	x	x	x	x	x	x	x	x	x	x	Candy Blue
28- 4	1A2-24786-00	EMBLEM, tail cover	... 1	1	x	x	x	x	x	x	x	x	x	x	x	
28- 5	97301-05015	BOLT	..... 2	2	x	x	x	x	x	x	x	x	x	x	x	
28- 6	92901-05100	WASHER, spring	..... 5	5	x	x	x	x	x	x	x	x	x	x	x	
28- 7	92901-05200	WASHER, plate	..... 5	5	x	x	x	x	x	x	x	x	x	x	x	
28- 8	95301-05600	NUT, hexagon	..... 3	3	x	x	x	x	x	x	x	x	x	x	x	
28- 9	1A2-24773-00	HANDLE, seat	..... 1	1				x								
28-10	1T4-24742-00	GROMMET	..... 2	2				x								
28-11	1T4-24796-00	COVER	..... 2	2				x								
28-12	97301-08014	BOLT, hexagon	..... 4	4				x								
28-13	92901-08100	WASHER, spring	..... 4	4				x								
28-14	248-24726-00-33	HINGE, seat	..... 1	1	x	x	x	x	x	x	x	x	x	x	x	Yamaha Black
28-15	1A0-24726-00	HINGE, seat	..... 1	1	x	x	x	x	x	x	x	x	x	x	x	
28-16	91501-05055	PIN, clevis	..... 2	2	x	x	x	x	x	x	x	x	x	x	x	
28-17	90468-10050	CLIP (156-83525-00)	.... 2	2	x	x	x	x	x	x	x	x	x	x	x	
28-18	371-24728-00	BRACKET, seat	..... 1	1	x	x	x	x	x	x	x	x	x	x	x	
28-19	90101-06304	BOLT	..... 6	6	x	x	x	x	x	x	x	x	x	x	x	
28-20	1A0-24705-00	SEAT LOCK ASS'Y	.... 1	1	x	x	x	x	x	x	x	x	x	x	x	
28-21	92706-06012	SCREW, flathead	..... 2	2	x	x	x	x	x	x	x	x	x	x	x	
28-22	1T4-24741-00	PAD, seat	..... 2	2	x	x	x	x	x	x	x	x	x	x	x	
28-23	214-24724-00	DAMPER, seat	..... 2	2	x	x	x	x	x	x	x	x	x	x	x	
28-24	278-27114-00	STOPPER, main stand	.. 1	1	x	x	x	x	x	x	x	x	x	x	x	

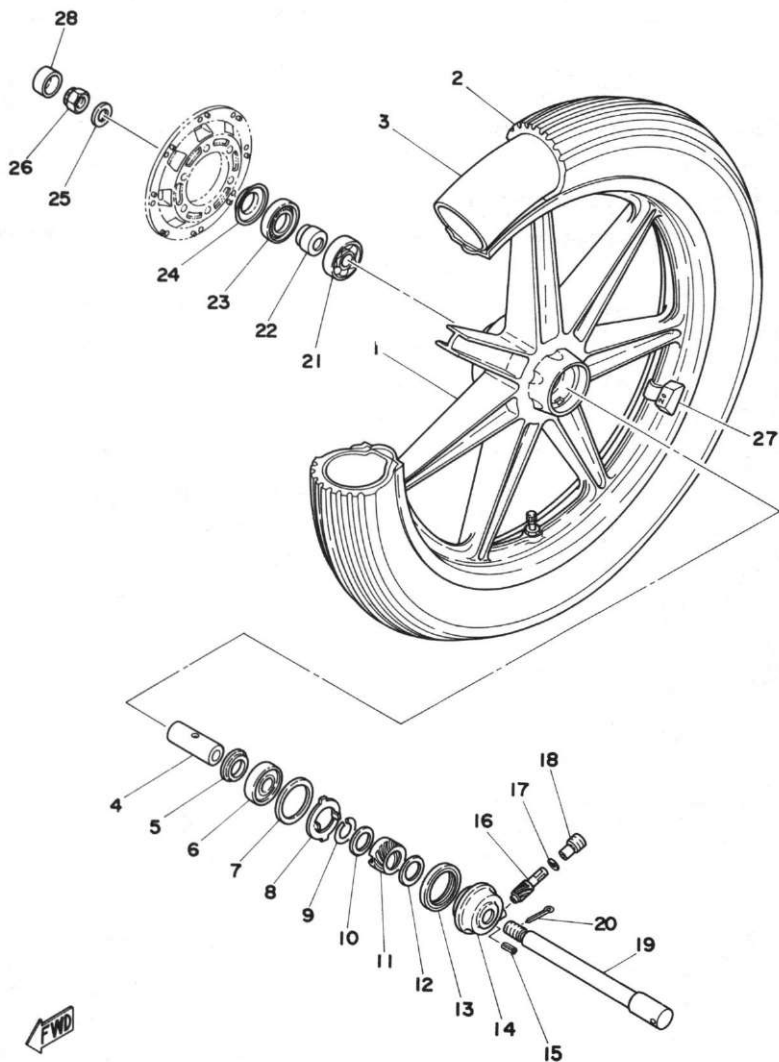
Fig. 28 SEAT



Ref. No.	Parts No.	Description	Q'ty												Remarks		
				250	400	FRANCE	HOLLAND	GERMANY	SWITZERLAND	BELGIUM	SWEDEN	FINLAND	DENMARK	NORWAY		AUSTRIA	ENGLAND
28-25	341-28185-00	LID .....	1	1	x	x	x	x	x	x	x	x	x	x	x	x	
28-26	90480-06007	GROMMET (341-28187-00)	1	1	x	x	x	x	x	x	x	x	x	x	x	x	
28-27	341-28188-00	PLUNGER .....	1	1	x	x	x	x	x	x	x	x	x	x	x	x	
28-28	1A2-24785-20-E8	MOLD, double seat left ...	1	1	x	x	x	x	x	x	x	x	x	x	x	x	Modena Red
	1A2-24785-20-20	MOLD, double seat left ...	1	1	x	x	x	x	x	x	x	x	x	x	x	x	Candy Blue
	1A2-24785-20-26	MOLD, double seat left ...	1	1	x	x	x	x	x	x	x	x	x	x	x	x	Competition Yellow
	1A2-24785-20-29	MOLD, double seat left ...	1	1	x	x	x	x	x	x	x	x	x	x	x	x	Crystal Silver
28-29	1A2-24785-10-E8	MOLD, double seat right ..	1	1	x	x	x	x	x	x	x	x	x	x	x	x	Modena Red
	1A2-24785-10-20	MOLD, double seat right ..	1	1	x	x	x	x	x	x	x	x	x	x	x	x	Candy Blue
	1A2-24785-10-26	MOLD, double seat right ..	1	1	x	x	x	x	x	x	x	x	x	x	x	x	Competition Yellow
	1A2-24785-10-29	MOLD, double seat right ..	1	1	x	x	x	x	x	x	x	x	x	x	x	x	Crystal Silver
28-30	1J7-24789-00	RIVET .....	4	4	x	x	x	x	x	x	x	x	x	x	x	x	
28-31	1J7-24735-00	SPEED NUT, seat mold ...	4	4	x	x	x	x	x	x	x	x	x	x	x	x	
28-32	1J7-24722-00	WASHER, plain .....	8	8	x	x	x	x	x	x	x	x	x	x	x	x	
28-33	1J7-24777-00	BOLT .....	4	4	x	x	x	x	x	x	x	x	x	x	x	x	
28-34	95301-04600	NUT .....	4	4	x	x	x	x	x	x	x	x	x	x	x	x	

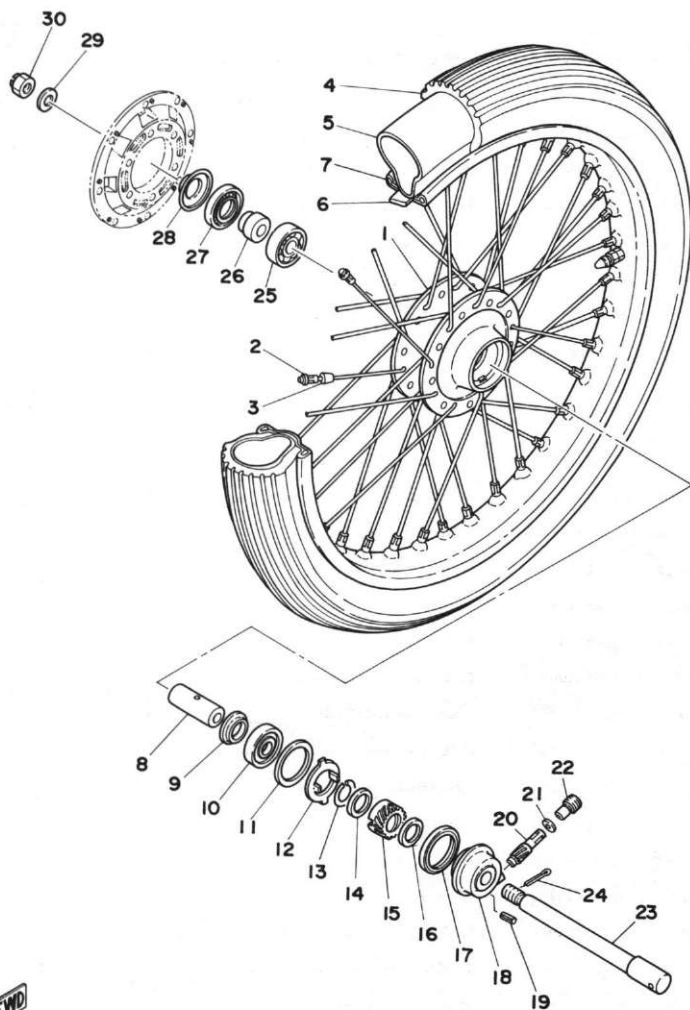


Fig. 29 FRONT WHEEL (Casting Wheel Type)



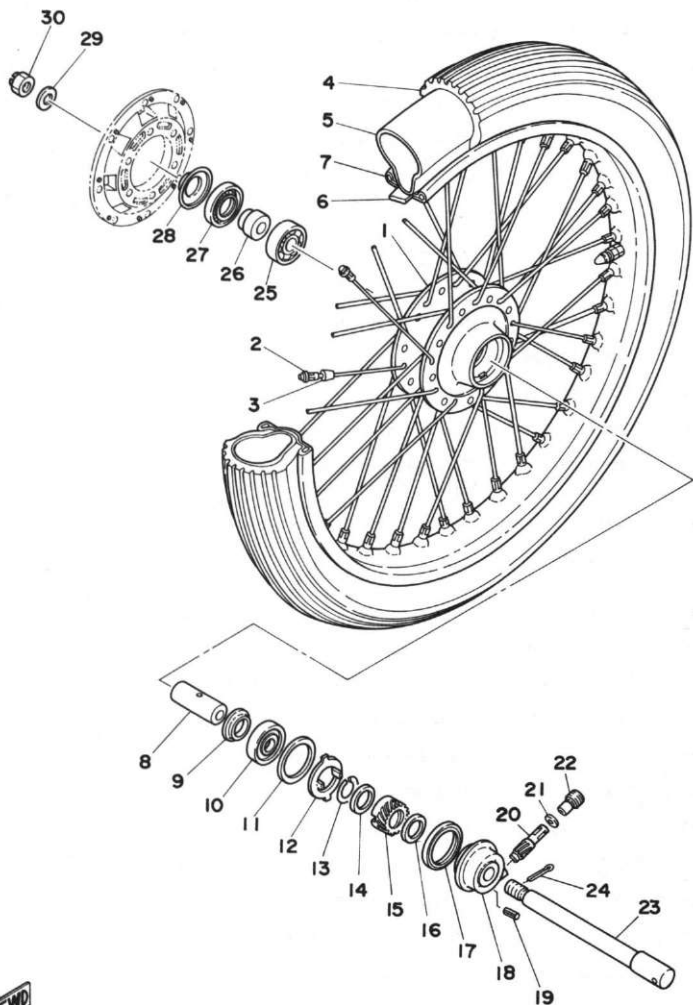
Ref. No.	Parts No.	Description	Q'ty		Applicable Machine No.	Remarks
			250	400		
29- 1	1A1-25168-00	WHEEL, cast front .....	1	1		
29- 2	94130-18225	TIRE, front (3.00-18-4PR) ....	1	1		
29- 3	94227-18093	TUBE (2.75-18) .....	1	1		
29- 4	90560-17125	SPACER (351-25117-00) .....	1	1		
29- 5	1A1-25115-00	FLANGE, spacer .....	1	1		
29- 6	93306-30309	BEARING (B6303ZZ) .....	1	1		
29- 7	341-25846-00	RETAINER, clutch meter .....	1	1		
29- 8	341-25149-00	CLUTCH, meter .....	1	1		
29- 9	341-25137-00	RING, stop .....	1	1		
29-10	90201-25286	WASHER, plate (341-25147-00)..	1	1		
29-11	351-25135-00	GEAR, drive .....	1	1		
29-12	90201-25490	WASHER, plate (152-17226-00)..	1	1		
29-13	93105-45017	OIL SEAL (SDD-45-56-6) .....	1	1		
29-14	341-25191-01	HOUSING, gear unit .....	1	1		
29-15	91609-20014	PIN, spring .....	1	1		
29-16	351-25138-00	GEAR, meter .....	1	1		
29-17	102-18416-00	SHIM, rod (6.2-9.5-0.8) .....	1	1		
29-18	306-25136-00	BUSHING .....	1	1		
29-19	351-25181-00	SHAFT, wheel .....	1	1		
29-20	91401-30030	PIN, cotter .....	1	1		
29-21	93306-30303	BEARING (B6303ZC3) .....	1	1		
29-22	90387-17433	COLLAR (341-25183-00) .....	1	1		
29-23	93102-28022	OIL SEAL (SD-28-47-7) .....	1	1		
29-24	341-25118-00	COVER, hub dust .....	1	1		
29-25	92901-14200	WASHER, plain .....	1	1		Except W. GERMANY
	90209-14136	WASHER .....	1	1		Exclusive for W. GERMANY
29-26	90171-14006	NUT, castle (214-25182-01) ....	1	1		
29-27	1A1-25398-01	BALANCER, wheel (20g) .....	} U.N	U.N		
	1A1-25399-00	BALNCER, wheel (10g) .....				
29-28	521-25188-00	COVER .....	1	1		Exclusive for W. GERMANY

Fig. 30 FRONT WHEEL (Spoke Wheel Type  
ALTERNATE PARTS: ENGLAND Only)



Ref. No.	Parts No.	Description	Q'ty 250 400	Applicable Machine No.	Remarks
30- 1	351-25111-00	HUB, front	1		
30- 2	351-25104-00	SPOKE SET	1s		
30- 3	156-25398-00	BALANCER, wheel	U.N		
30- 4	94130-18225	TIRE, front (3.00-18-4PR)	1		
30- 5	94227-18095	TUBE, front (2.75-18)	1		
30- 6	94327-18008	BAND, rim (2.75-18)	1		
30- 7	94416-18068	RIM (1.60-18)	1		
30- 8	90560-17125	SPACER (351-25117-00)	1		
30- 9	152-25115-00	FLANGE, spacer	1		
30-10	93306-30306	BEARING (B6303ZZ)	1		
30-11	341-25846-00	RETAINER, clutch meter	1		
30-12	341-25149-00	CLUTCH, meter	1		
30-13	341-25137-00	RING, stop	1		
30-14	90201-25286	WASHER, plate (341-25147-00)	1		
30-15	351-25135-00	GEAR, drive	1		
30-16	90201-25490	WASHER, plate (152-17226-00)	1		
30-17	93105-45017	OIL SEAL (SDD-45-56-6)	1		
30-18	341-25191-01	HOUSING, gear unit	1		
30-19	91609-20014	PIN, spring	1		
30-20	351-25138-00	GEAR, meter	1		
30-21	102-18416-00	WASHER (6.2-9.5-0.8)	1		
30-22	306-25136-00	BUSHING	1		
30-23	351-25181-00	SHAFT, wheel	1		
30-24	91401-30030	PIN, cotter	1		
30-25	93306-30307	BEARING (B6303)	1		
30-26	90387-17433	COLLAR (341-25183-00)	1		
30-27	93102-28022	OIL SEAL (SD-28-47-7)	1		

Fig. 30 FRONT WHEEL (Spoke Wheel Type  
(ALTERNATE PARTS: ENGLAND Only))

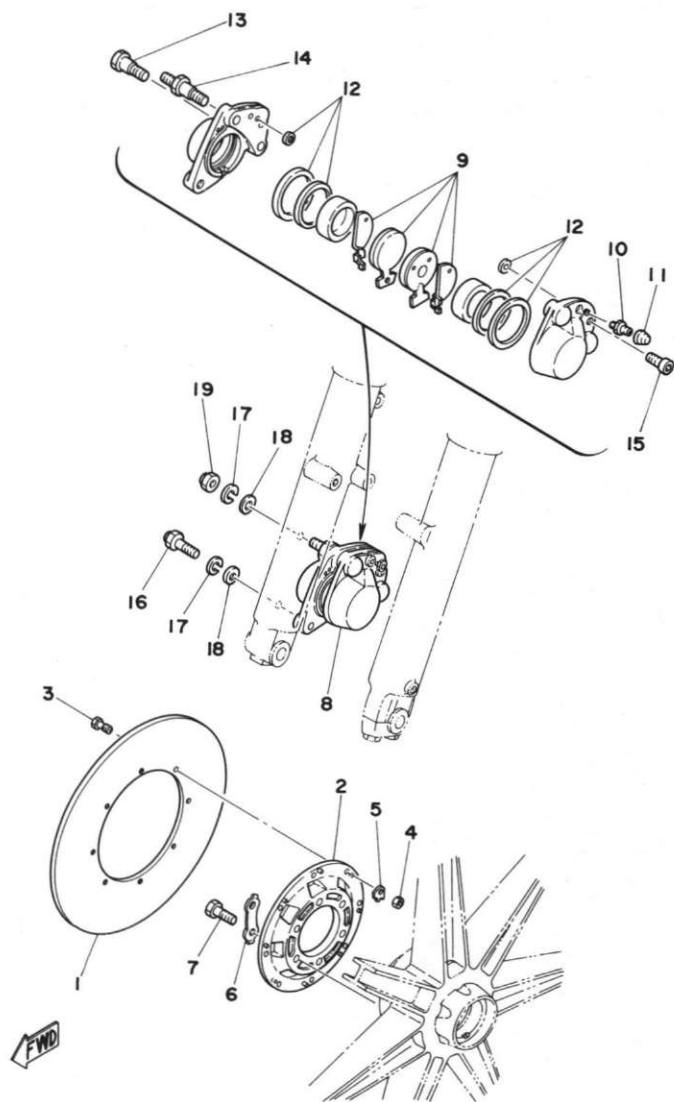


FWD

Ref. No.	Parts No.	Description	Q'ty		Remarks
			250	400	
30-28	341-25118-00	COVER, hub dust .....	1		
30-29	92901-14200	WASHER, plain .....	1		
30-30	90171-14006	NUT, castle (214-25182-01) ....	1		



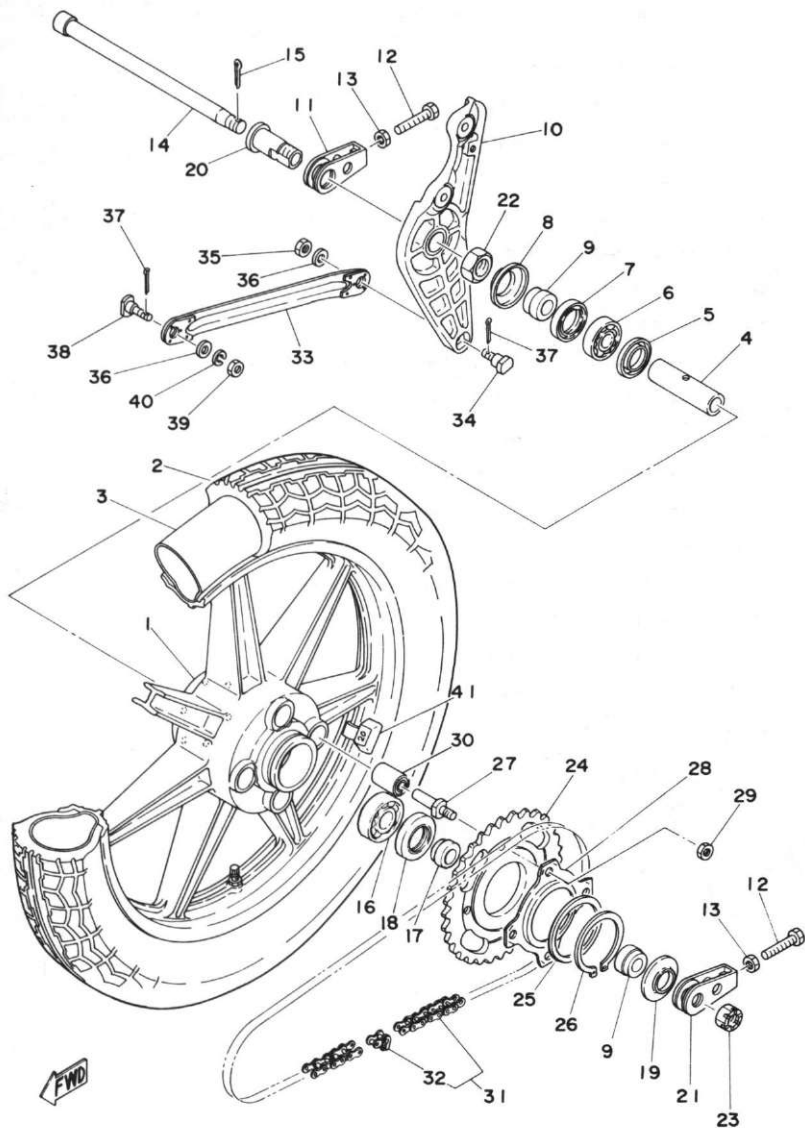
Fig. 31 FRONT DISK BRAKE · CALIPER



Ref. No.	Parts No.	Description	Q'ty		Applicable Machine No.	Remarks
			250	400		
31- 1	351-25831-01	DISK, brake .....	1	1		
31- 2	351-25832-00	BRACKET, disk .....	1	1		
31- 3	90109-06018	BOLT (306-25833-00) .....	8	8		
31- 4	95301-06600	NUT, hexagon .....	8	8		
31- 5	90215-06106	WASHER, lock (306-25834-00) .....	8	8		
31- 6	341-25412-00	WASHER, lock .....	3	3		
31- 7	90101-08352	BOLT .....	6	6		
31- 8	1A2-25810-10	CALIPER ASS'Y .....	1	1		
31- 9	1A1-W0045-00	. PAD KIT CALIPER, front ..	1	1		
31-10	306-25824-00	. SCREW, bleed .....	1	1		
31-11	306-25825-01	. CAP .....	1	1		
31-12	856-20000-50	. CALIPER SEAL KIT .....	1	1		
31-13	306-25821-01	. BOLT, bridge 1 .....	1	1		
31-14	306-25822-01	. BOLT, bridge 2 .....	1	1		
31-15	306-25826-01	. BOLT, bridge 3 .....	2	2		
31-16	90109-10041	BOLT (306-25818-00) .....	1	1		
31-17	92901-10100	WASHER, spring .....	2	2		
31-18	92901-10600	WASHER, plate .....	2	2		
31-19	90176-10013	NUT, cap .....	1	1		

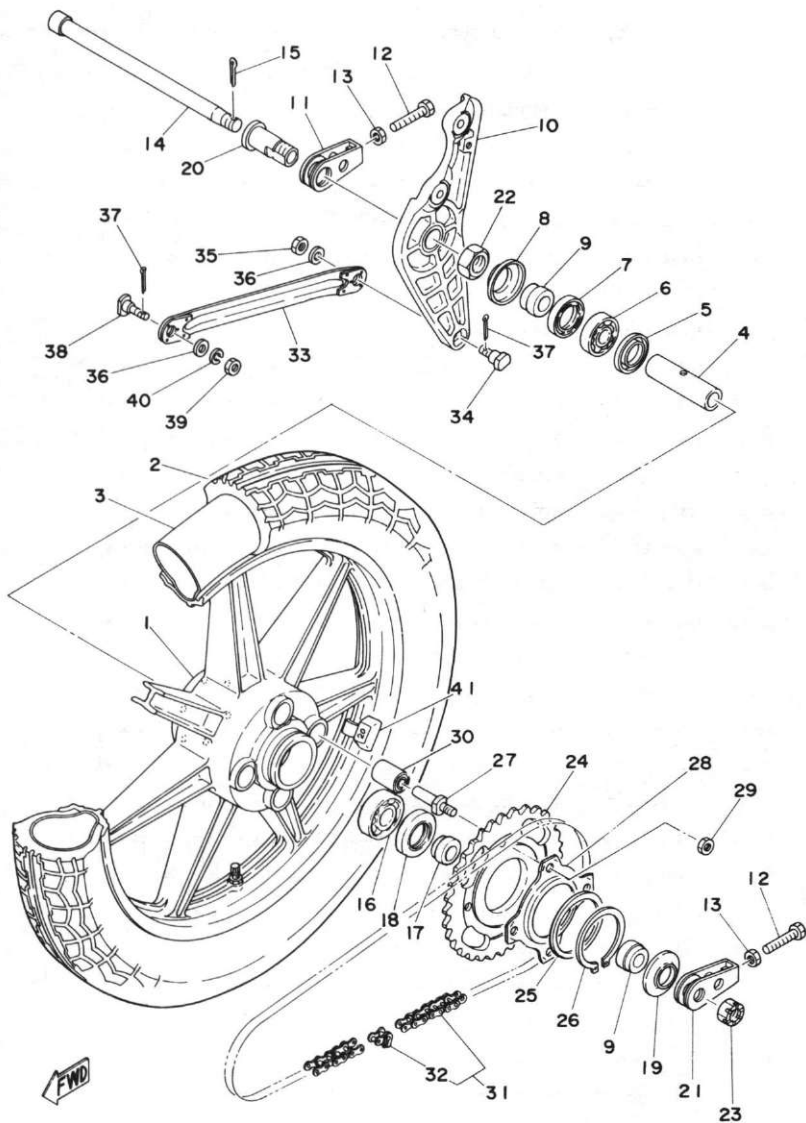


Fig. 32 REAR WHEEL (Casting Wheel Type)



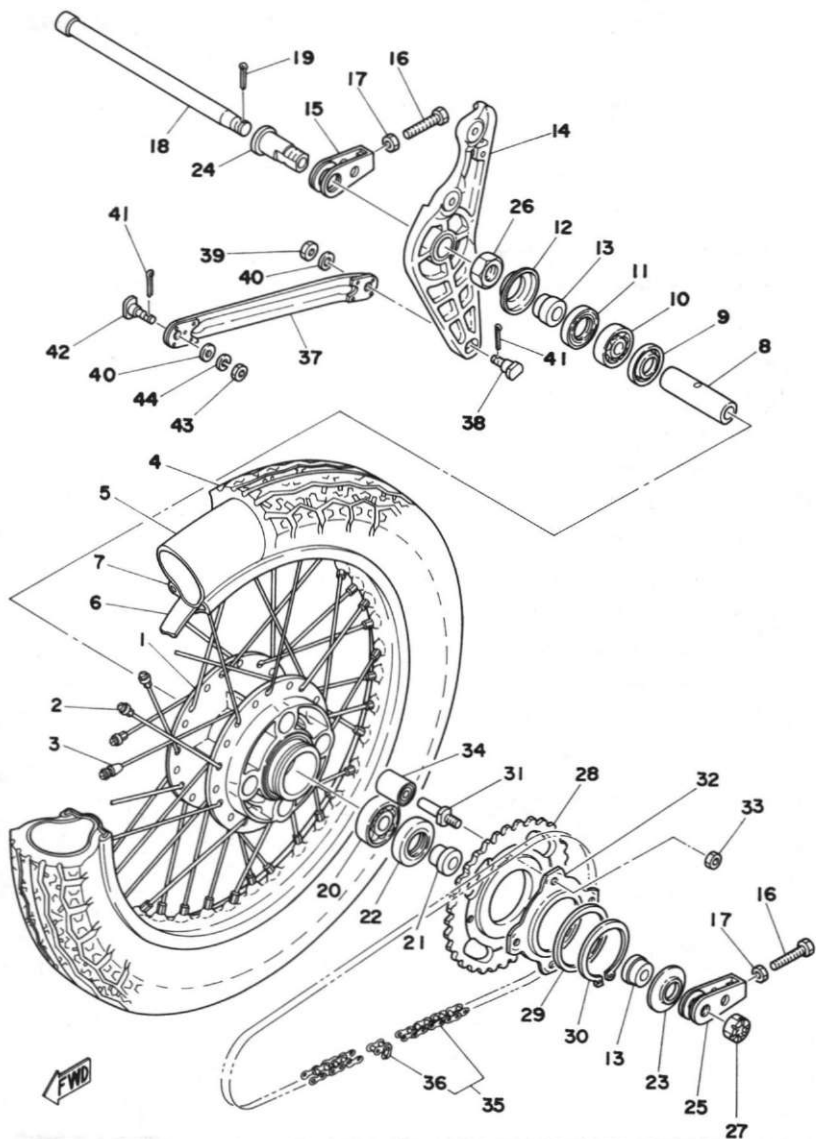
Ref. No.	Parts No.	Description	Q'ty	250 400												Remarks		
				FRANCE	HOLLAND	WEST GERMANY	SWITZERLAND	BELGIUM	SWEDEN	FINLAND	DENMARK	NORWAY	AUSTRIA	ITALY	ENGLAND			
32- 1	1A1-25338-00	WHEEL, cast rear . . . . .	1 1	x	x	x	x	x	x	x	x	x	x	x	x	x	x	
32- 2	94132-18223	TIRE, rear (3.25S-18-4PR)	1	x	x			x									x	
	94135-18224	TIRE, rear (3.50S-18-4PR)	1			x											x	
	94135-18224	TIRE, rear (3.50S-18-4PR)	1	x	x	x		x	x								x	
32- 3	94232-18020	TUBE, rear (3.25-18) . . . .	1	x	x			x	x								x	
	94232-18097	TUBE, rear (3.25-18) . . . .	1			x											x	
	94232-18097	TUBE, rear (3.25-18) . . . .	1	x	x	x		x	x								x	
32- 4	1A1-25317-00	SPACER, bearing . . . . .	1 1	x	x	x	x	x	x								x	
32- 5	1A1-25115-00	FLANGE, spacer . . . . .	1 1	x	x	x	x	x	x								x	
32- 6	93306-30303	BEARING (B6303ZC3) . . . .	1 1	x	x	x	x	x	x								x	
32- 7	93102-28022	OIL SEAL (SD-28-47-7) . . .	1 1	x	x	x	x	x	x								x	
32- 8	341-25118-00	COVER, dust . . . . .	1 1	x	x	x	x	x	x								x	
32- 9	90387-17433	COLLAR (341-25183-00) . .	2 2	x	x	x	x	x	x								x	
32-10	1A1-25819-00-33	BRACKET, caliper . . . . .	1 1	x	x	x	x	x	x								x	
32-11	1A1-25389-00	PULLER, chain right . . . .	1 1	x	x	x	x	x	x								x	
32-12	90101-08034	BOLT (168-25379-00) . . . .	2 2	x	x	x	x	x	x								x	
32-13	95301-08700	NUT . . . . .	2 2	x	x	x	x	x	x								x	
32-14	150-25381-00	SHAFT, rear wheel . . . . .	1 1	x	x	x	x	x	x								x	
32-15	91401-30030	PIN, cotter . . . . .	1 1	x	x	x	x	x	x								x	
32-16	93306-30417	BEARING (B6304Z) . . . . .	1 1	x	x	x	x	x	x								x	
32-17	1A1-25377-00	COLLAR . . . . .	1 1	x	x	x	x	x	x								x	
32-18	93102-28023	OIL SEAL (SD-28-52-6) . . .	1 1	x	x	x	x	x	x								x	
32-19	1A1-25367-00	COVER, hub dust . . . . .	1 1	x	x	x	x	x	x								x	
32-20	1A1-25387-00	SHAFT, bracket caliper . . .	1 1	x	x	x	x	x	x								x	
32-21	168-25389-00	PULLER, chain left . . . . .	1 1	x	x	x	x	x	x								x	
32-22	90170-22097	NUT (168-25385-00) . . . . .	1 1	x	x	x	x	x	x								x	
32-23	90171-16007	NUT, castle (275-25382-00)	1 1	x	x	x	x	x	x								x	
32-24	1A1-25438-20	GEAR, sprocket wheel (38T)	1 1	x	x	x	x	x	x								x	
32-25	90201-66585	WASHER, plate . . . . .	1 1	x	x	x	x	x	x								x	

Fig. 32 REAR WHEEL (Casting Wheel Type)



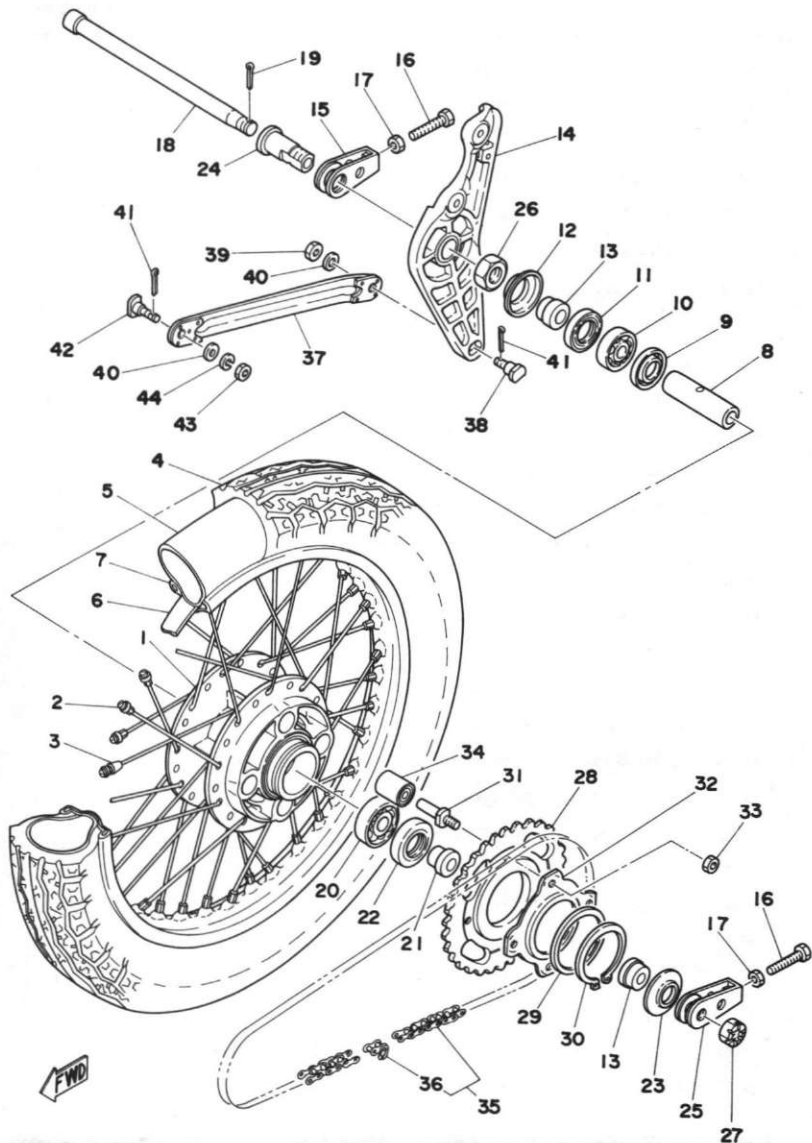
Ref. No.	Parts No.	Description	Q'ty	250 400											Remarks		
				FRANCE	HOLLAND	W. GERMANY	SWITZERLAND	BELGIUM	SWEDEN	FINLAND	DENMARK	NORWAY	AUSTRIA	ENGLAND		ITALY	
32-26	93410-65040	CIRCLIP (S-62) .....	1 1	x	x	x	x	x	x	x	x	x	x	x	x	x	
32-27	90109-12429	BOLT .....	4 4	x	x	x	x	x	x	x	x	x	x	x	x	x	
32-28	1A1-25412-01	WASHER, lock .....	1 1	x	x	x	x	x	x	x	x	x	x	x	x	x	
32-29	95311-12700	NUT, hexagon .....	4 4	x	x	x	x	x	x	x	x	x	x	x	x	x	
32-30	1A1-25363-00	DAMPER, sprocket .....	4 4	x	x	x	x	x	x	x	x	x	x	x	x	x	
32-31	94585-30096	CHAIN (DK530DS-96L)....	1 1	x	x	x	x	x	x	x	x	x	x	x	x	x	
32-32	94685-30011	. JOINT, chain .....	1 1	x	x	x	x	x	x	x	x	x	x	x	x	x	
32-33	171-25371-00	BAR, tension .....	1 1	x	x	x	x	x	x	x	x	x	x	x	x	x	
32-34	90109-08184	BOLT (168-25378-00).....	1 1	x	x	x	x	x	x	x	x	x	x	x	x	x	
32-35	90170-08158	NUT .....	1 1	x	x	x	x	x	x	x	x	x	x	x	x	x	
32-36	92901-08600	WASHER, plate .....	2 2	x	x	x	x	x	x	x	x	x	x	x	x	x	
32-37	91401-20015	PIN, cotter .....	2 2	x	x	x	x	x	x	x	x	x	x	x	x	x	
32-38	90109-08375	BOLT .....	1 1	x	x	x	x	x	x	x	x	x	x	x	x	x	
32-39	90170-08157	NUT .....	1 1	x	x	x	x	x	x	x	x	x	x	x	x	x	
32-40	92901-08100	WASHER, spring .....	1 1	x	x	x	x	x	x	x	x	x	x	x	x	x	
32-41	1A1-25398-01	BALANCER, wheel (20g)	} U.NU.N	x	x	x	x	x	x	x	x	x	x	x	x	x	
	1A1-25399-00	BALANCER, wheel (10g)		x	x	x	x	x	x	x	x	x	x	x	x	x	x

Fig. 33 REAR WHEEL (Spoke Wheel Type  
ALTERNATE PARTS: ENGLAND Only)



Ref. No.	Parts No.	Description	Q'ty	Applicable Machine No.	Remarks
			250 400		
33- 1	1A3-25311-00	HUB, rear .....	1		
33- 2	1A3-25304-00	SPOKE SET .....	1s		
33- 3	156-25398-00	BALANCER, wheel .....	U.N		
33- 4	94132-18223	TIRE, rear (3.25S-18-4PR) ....	1		
33- 5	94232-18020	TUBE (3.25-18) .....	1		
33- 6	94327-18008	BAND, rim (2.75-18) .....	1		
33- 7	94418-18181	RIM (1.85-18) .....	1		
33- 8	1A1-25317-00	SPACER, bearing .....	1		
33- 9	1A1-25115-00	FLANGE, spacer .....	1		
33-10	93306-30307	BEARING (B6303Z) .....	1		
33-11	93102-28022	OIL SEAL (SD-28-47-7) .....	1		
33-12	341-25118-00	COVER, hub dust .....	1		
33-13	90387-17433	COLLAR (341-25183-00) .....	2		
33-14	1A1-25819-00-33	BRACKET, caliper .....	1		Yamaha Black
33-15	1A1-25389-00	PULLER, chain right .....	1		
33-16	90101-08034	BOLT (168-25379-00) .....	2		
33-17	95301-08700	NUT .....	2		
33-18	150-25381-00	SHAFT, rear wheel .....	1		
33-19	91401-30030	PIN, cotter .....	1		
33-20	93306-30404	BEARING (6304Z) .....	1		
33-21	1A1-25377-00	COLLAR .....	1		
33-22	93102-28023	OIL SEAL (SD-28-52-6) .....	1		
33-23	1A1-25367-00	COVER, hub dust .....	1		
33-24	1A1-25387-00	SHAFT, bracket caliper .....	1		
33-25	168-25389-00	PULLER, chain right .....	1		
33-26	90170-22097	NUT (168-25385-00) .....	1		
33-27	90171-16007	NUT, castle (275-25382-00) ....	1		
33-28	1A1-25438-20	GEAR, sprocket wheel (38T) ...	1		
33-29	90201-66585	WASHER, plate .....	1		

Fig. 33 REAR WHEEL (Spoke Wheel Type  
ALTERNATE PARTS: ENGLAND Only)

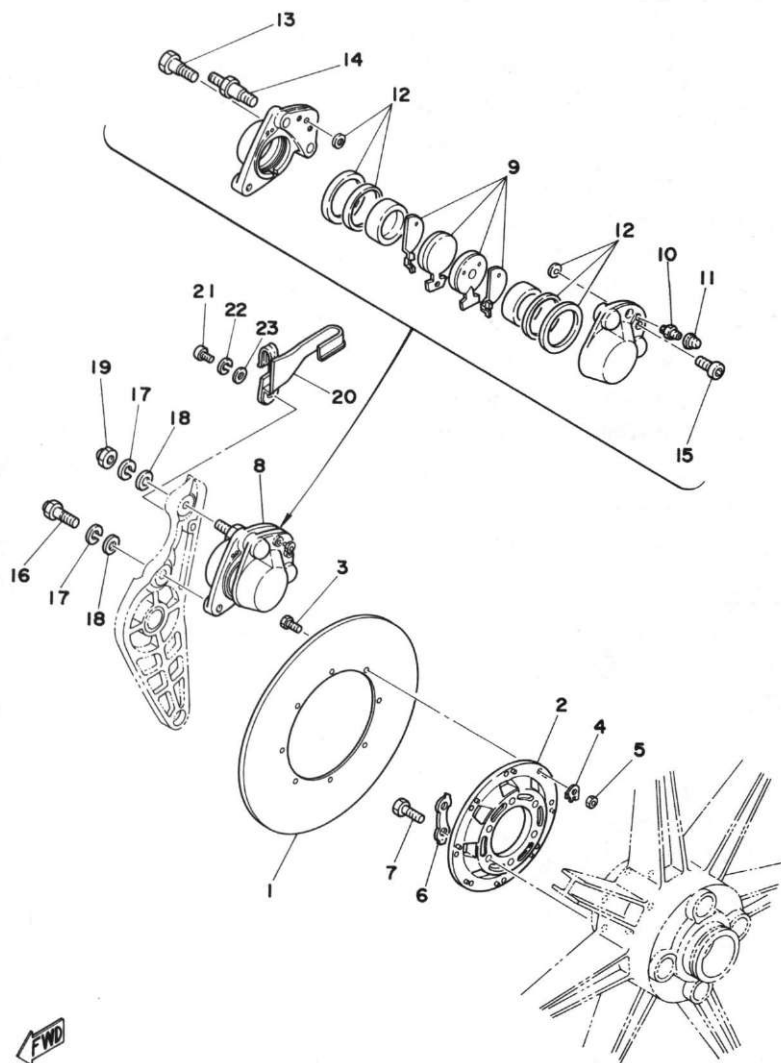


Ref. No.	Parts No.	Description	Q'ty		Remarks
			250	400	
33-30	93410-65040	CIRCLIP (S-65) .....	1		
33-31	90109-12429	BOLT .....	4		
33-32	1A1-25412-01	WASHER, lock .....	1		
33-33	95311-12700	NUT, hexagon .....	4		
33-34	1A1-25363-00	DAMPER, sprocket .....	4		
33-35	94585-30096	CHAIN (DK530DS-96L) .....	1		
33-36	94685-30011	. JOINT, chain .....	1		
33-37	171-25371-00	BAR, tension .....	1		
33-38	90109-08184	BOLT (168-25378-00) .....	1		
33-39	90170-08158	NUT .....	1		
33-40	92901-08600	WASHER, plate .....	2		
33-41	91401-20015	PIN, cotter .....	2		
33-42	90109-08375	BOLT .....	1		
33-43	90170-08157	NUT .....	1		
33-44	92901-08100	WASHER, spring .....	1		



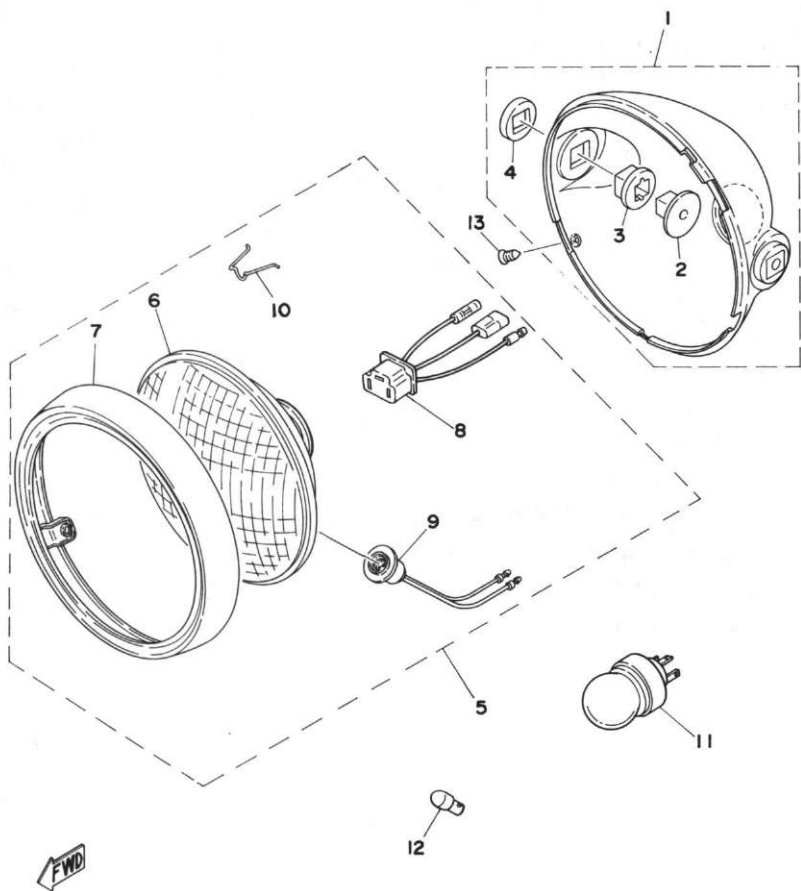


Fig. 34 REAR DISK BRAKE · CALIPER



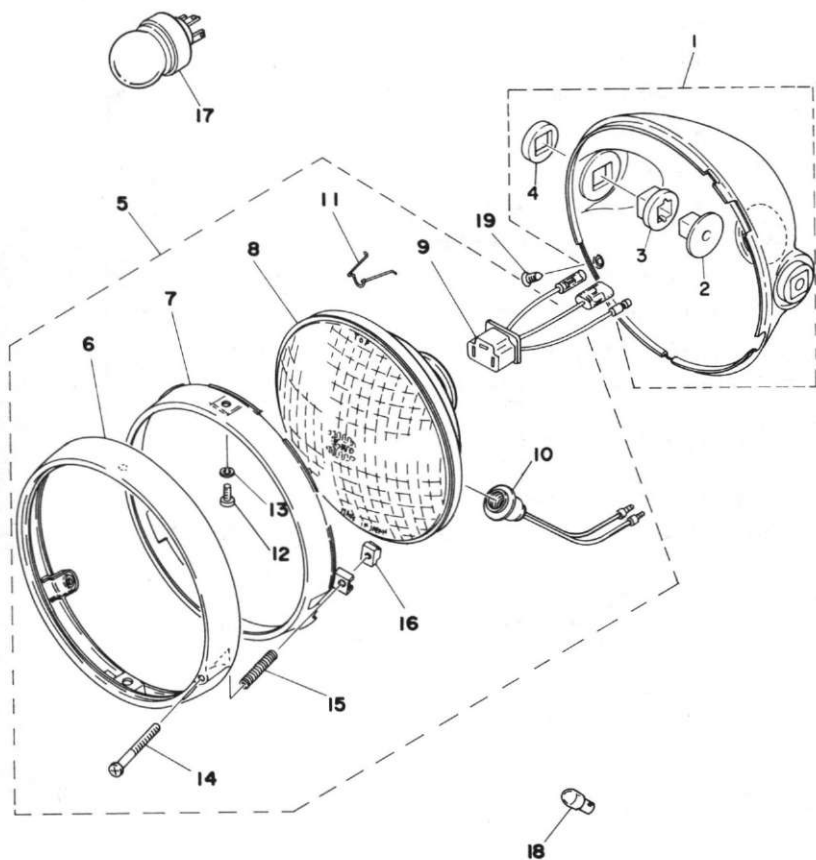
Ref. No.	Parts No.	Description	Q'ty		Remarks
			250	400	
34- 1	351-25831-01	DISK, brake .....	1	1	
34- 2	351-25832-00	BRACKET, disk .....	1	1	
34- 3	90109-06018	BOLT (306-25833-00) .....	8	8	
34- 4	90215-06106	WASHER, lock (306-25834-00) ..	8	8	
34- 5	95301-06600	NUT, hexagon .....	8	8	
34- 6	341-25412-00	WASHER, lock .....	3	3	
34- 7	90101-08352	BOLT .....	6	6	
34- 8	1A2-25810-50	CALIPER ASS'Y .....	1	1	
34- 9	1A1-W0045-00	. PAD KIT CALIPER, rear ..	1	1	
34-10	306-25824-00	. SCREW, bleed .....	1	1	
34-11	306-25825-01	. CAP .....	1	1	
34-12	856-20000-50	. CALIPER SEAL KIT .....	1	1	
34-13	306-25821-01	. BOLT, bridge 1 .....	1	1	
34-14	306-25822-01	. BOLT, bridge 2 .....	1	1	
34-15	306-25826-01	. BOLT, bridge 3 .....	2	2	
34-16	90109-10041	BOLT (306-25818-00) .....	1	1	
34-17	92901-10100	WASHER, spring .....	2	2	
34-18	92901-10600	WASHER, plate .....	2	2	
34-19	90176-10013	NUT, cap .....	1	1	
34-20	1A1-25875-02	HOLDER, brake hose .....	1	1	
34-21	92501-06015	SCREW, panhead .....	1	1	
34-22	92901-06100	WASHER, spring .....	1	1	
34-23	92901-06600	WASHER, plate .....	1	1	

Fig. 35 HEAD LAMP 1



Ref. No.	Parts No.	Description	Q'ty		FRANCE	HOLLAND	WEST GERMANY	BELGIUM	SWITZERLAND	FINLAND	DENMARK	NORWAY	AUSTRIA	ENGLAND	ITALY	Remarks
			250	400												
35- 1	1A0-84330-60-33	HEAD LAMP BODY ASS'Y	1	1	x	x	x	x	x	x	x	x	x	x	x	
35- 2	498-84145-60	. COLLAR .....	2	2	x	x	x	x	x	x	x	x	x	x	x	
35- 3	498-84163-60	. BUSHING .....	2	2	x	x	x	x	x	x	x	x	x	x	x	
35- 4	498-84164-60	. BUSHING .....	2	2	x	x	x	x	x	x	x	x	x	x	x	
35- 5	1A2-84303-41	HEAD LAMP UNIT ASS'Y..	1	1	x	x	x	x	x	x	x	x	x	x	x	
	1A2-84303-21	HEAD LAMP UNIT ASS'Y..	1	1	x											
35- 6	1A2-84320-46	. LENS ASS'Y .....	1	1	x	x	x	x	x	x	x	x	x	x	x	
	1A2-84320-21	. LENS ASS'Y .....	1	1	x											
35- 7	1A2-84315-45	. RIM, head lamp .....	1	1	x	x	x	x	x	x	x	x	x	x	x	
35- 8	371-84312-60	. SOCKET ASS'Y .....	1	1	x	x	x	x	x	x	x	x	x	x	x	
35- 9	1R6-84146-30	. SOCKET ASS'Y .....	1	1	x	x	x	x	x	x	x	x	x	x	x	
35-10	290-84124-21	. SPRING, reflector set ..	3	3	x	x	x	x	x	x	x	x	x	x	x	
35-11	341-84314-40	BULB, head lamp (12V-45/40W) .....	1	1	x	x	x	x	x	x	x	x	x	x	x	o
	341-84314-20	BULB, head lamp (12V-45/40W) .....	1	1	x											*
35-12	169-84347-10	BULB (12V-4W) .....	1	1	x	x	x	x	x	x	x	x	x	x	x	o
35-13	90152-05005	SCREW, rim fitting .....	1	1	x	x	x	x	x	x	x	x	x	x	x	

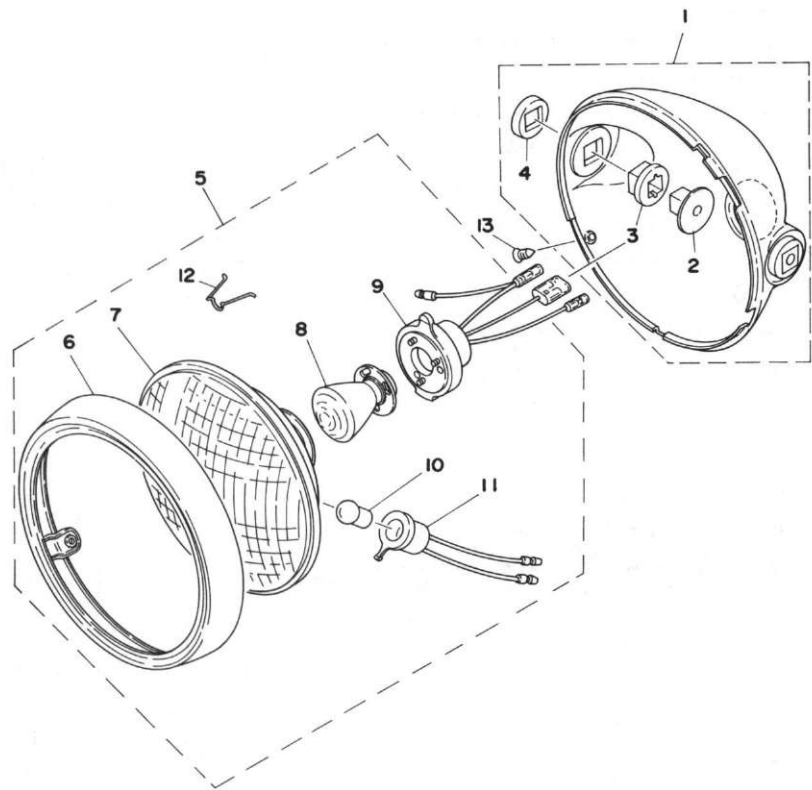
Fig. 36 HEAD LAMP 2



FWD

Ref. No.	Parts No.	Description	Q'ty												Remarks			
				250	400	FRANCE	HOLLAND	GERMANY	SWITZERLAND	BELGIUM	SWEDEN	FINLAND	DENMARK	NORWAY		AUSTRIA	ENGLAND	ITALY
36- 1	1A0-84330-60-33	HEAD LAMP BODY ASS'Y	1 1															Yamaha Black
36- 2	498-84145-60	. COLLAR	2 2															
36- 3	498-84163-60	. BUSHING	2 2															
36- 4	498-84164-60	. BUSHING	2 2															
36- 5	1A2-84303-46	HEAD LAMP UNIT ASS'Y..	1 1															
36- 6	1A0-84315-60	. RIM, head lamp	1 1															
36- 7	1A0-84395-60	. RING, retaining	1 1															
36- 8	1A2-84320-46	. LENS ASS'Y	1 1															
36- 9	371-84312-60	. SOCKET ASS'Y	1 1															
36-10	1R6-84146-30	. SOCKET ASS'Y	1 1															
36-11	195-84324-00	. SPRING, reflector set	3 3															
36-12	438-84392-60	. SCREW	2 2															
36-13	92901-05100	. WASHER, spring	2 2															
36-14	214-84131-61	. SCREW, adjusting	1 1															
36-15	1A0-84332-60	. SPRING, adjusting	1 1															
36-16	198-84334-61	. NUT	1 1															
36-17	341-84314-40	BULB, head lamp (12V-45/40W)	1 1															*
36-18	169-84347-10	BULB (12V-4W)	1 1															*
36-19	90152-05005	SCREW, rim fitting	1 1															

Fig. 37 HEAD LAMP 3

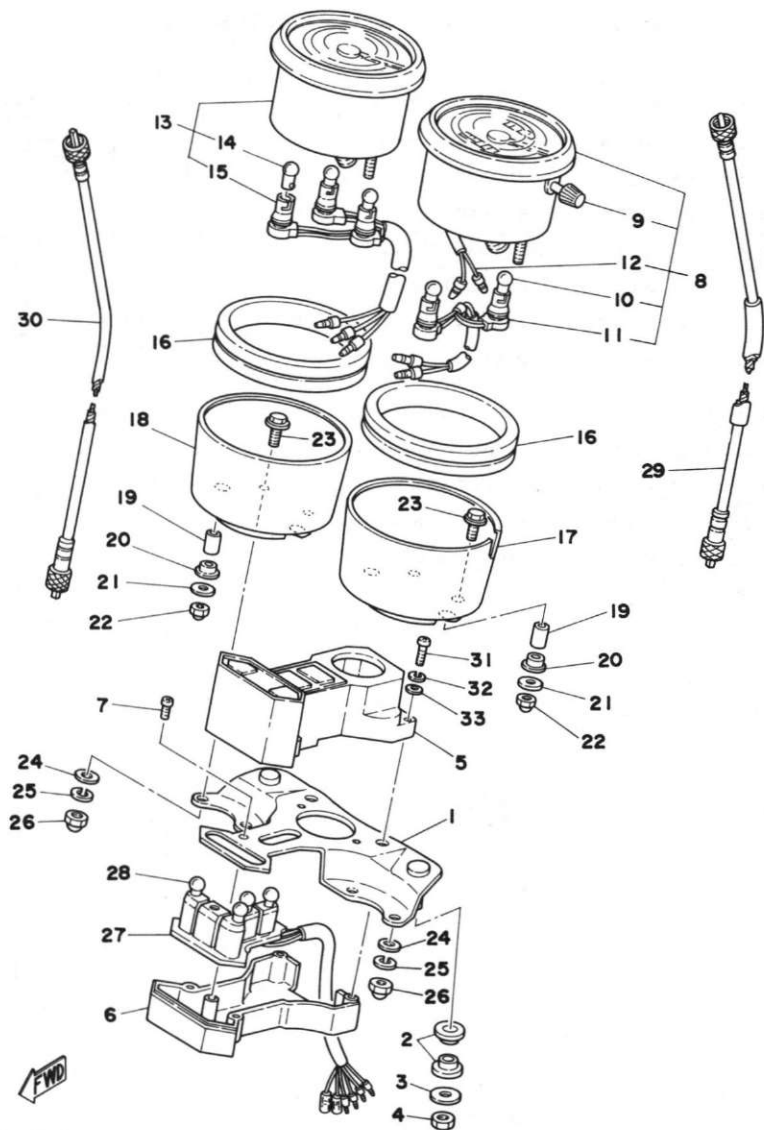


Ref. No.	Parts No.	Description	Q'ty		FRANCE	HOLLAND	SWITZERLAND	W. GERMANY	BELGIUM	SWEDEN	FINLAND	DENMARK	NORWAY	AUSTRIA	ENGLAND	ITALY	Remarks
				250 400													
37- 1	1A0-84330-60-33	HEAD LAMP BODY ASS'Y	1	1													X Yamaha Black
37- 2	498-84145-60	. COLLAR .....	2	2													X
37- 3	498-84163-60	. BUSHING .....	2	2													X
37- 4	498-84164-60	. BUSHING .....	2	2													X
37- 5	1A2-84310-30	HEAD LAMP UNIT ASS'Y	1	1													X
37- 6	1A2-84315-45	. RIM, head lamp .....	1	1													X
37- 7	1A2-84320-30	. LENS ASS'Y .....	1	1													X
37- 8	817-84314-00	. BULB, head lamp (12V-35/35W) .....	1	1													X
37- 9	359-84312-00	. SOCKET ASS'Y .....	1	1													X
37-10	306-84347-30	. BULB (12V-3.4W) .....	1	1													X
37-11	357-84312-00	. SOCKET ASS'Y .....	1	1													X
37-12	1A2-84324-20	. SPRING, reflector set ..	3	3													X
37-13	90152-05005	SCREW, rim fitting ....	1	1													X



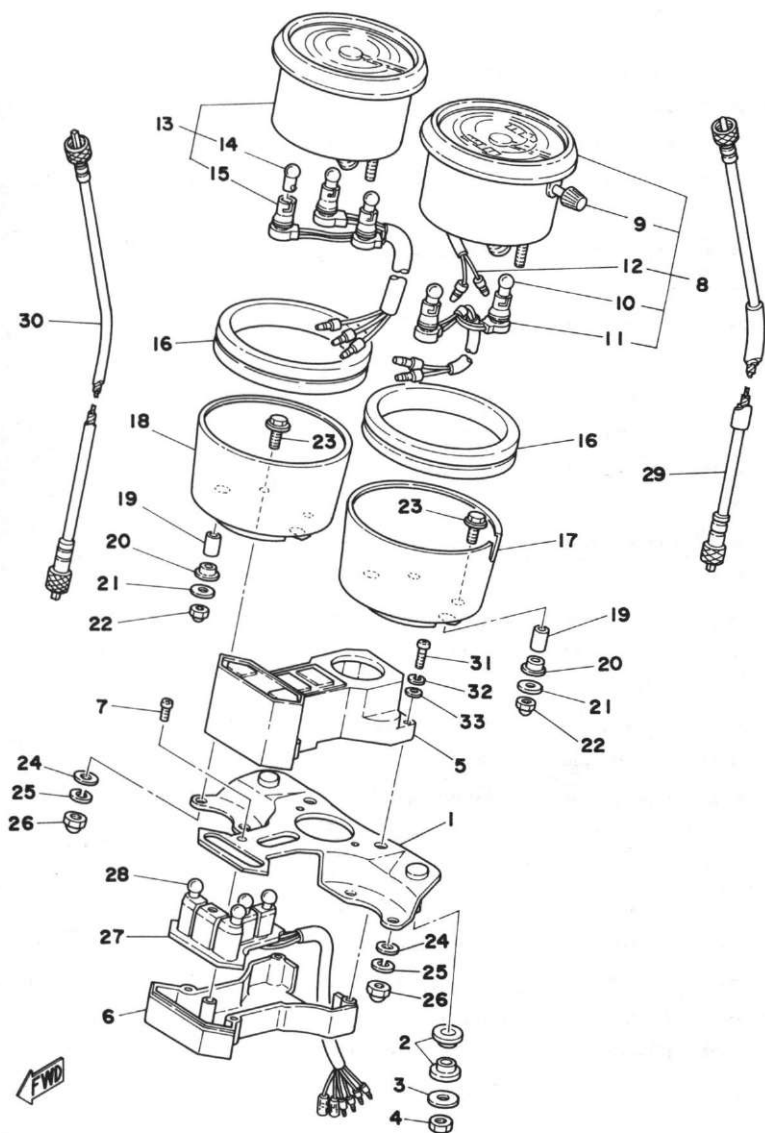


Fig. 38 SPEEDOMETER · TACHOMETER



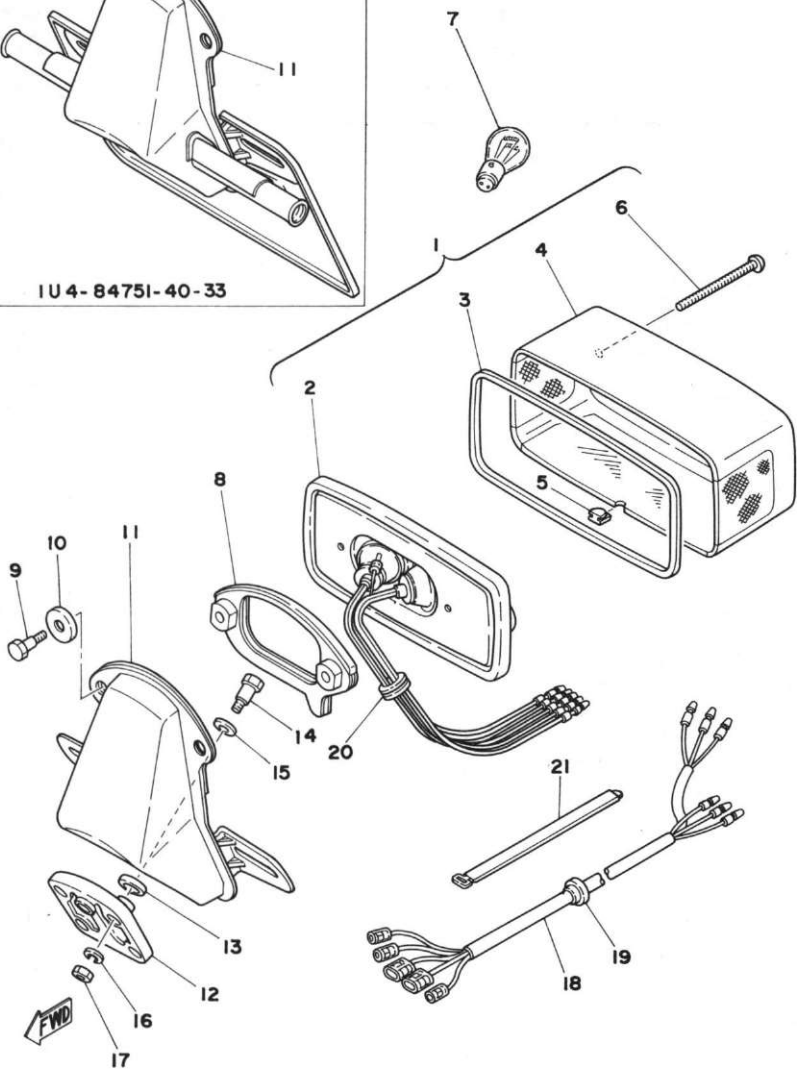
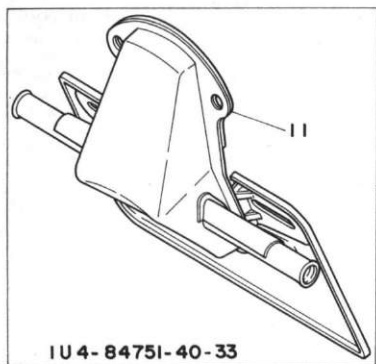
Ref. No.	Parts No.	Description	Q'ty		Applicable Machine No.	Remarks
			250	400		
38- 1	1A0-83519-01	BRACKET, meter	1	1		
38- 2	1A0-83523-00	DAMPER	4	4		
38- 3	90201-06063	WASHER, plate (810-77318-00)	2	2		
38- 4	95301-06600	NUT, hexagon	2	2		
38- 5	1J3-83568-71	PILOT BOX, upper	1	1		
38- 6	1J3-83569-71	PILOT BOX, under	1	1		
38- 7	98501-05010	SCREW, panhead	1	1		
38- 8	1A2-83570-21	SPEEDOMETER ASS'Y	1	1		Km/h
	1A0-83570-41	SPEEDOMETER ASS'Y	1	1		Mile/h STD: England
38- 9	584-83578-71	. KNOB, trip meter	1	1		
38-10	123-83516-21	. BULB (12V-3.4W)	2	2		
38-11	1A0-83536-01	. SOCKET CORD ASS'Y 1	1	1		
38-12	1A0-83556-01	. SOCKET CORD ASS'Y 4	1	1		
38-13	1A0-83540-02	TACHOMETER ASS'Y	1	1		
38-14	123-83516-21	. BULB (12V-3.4W)	3	3		
38-15	1A0-83520-01	. SOCKET CORD ASS'Y 3	1	1		
38-16	1A0-83513-00	DAMPER, meter	2	2		
38-17	1A0-83507-00	COVER, speedometer	1	1		
38-18	1A0-83508-00	COVER, tachometer	1	1		
38-19	1A0-83522-00	COLLAR	4	4		
38-20	584-83523-00	DAMPER, meter cover fitting	4	4		
38-21	92901-05200	WASHER, plain	4	4		
38-22	95303-05800	NUT, crown	4	4		
38-23	584-83546-00	BOLT	4	4		
38-24	92901-06200	WASHER, plain	4	4		
38-25	92901-06100	WASHER, spring	4	4		
38-26	95303-06800	NUT, crown	4	4		
38-27	1J3-83509-70	SOCKET CORD ASS'Y	1	1		
38-28	123-83516-21	BULB (12V-3.4W)	4	4		

Fig. 38 SPEEDOMETER · TACHOMETER



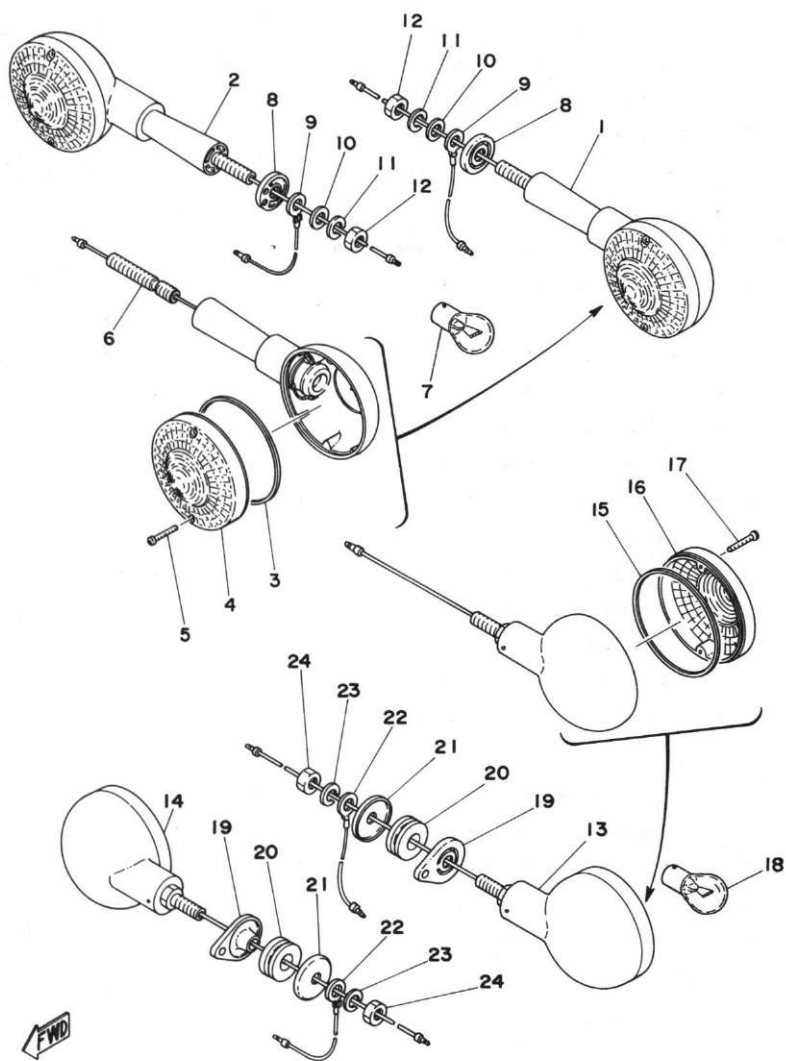
Ref. No.	Parts No.	Description	Q'ty		Applicable Machine No.	Remarks
			250	400		
38-29	351-83550-00	SPEEDOMETER CABLE ASS'Y ..	1	1		
38-30	360-83560-00	TACHOMETER CABLE ASS'Y ...	1	1		
38-31	98506-04020	SCREW, panhead .....	4	4		
38-32	92906-04100	WASHER, spring .....	4	4		
38-33	92906-04600	WASHER, plate .....	4	4		

Fig. 39 TAIL LAMP



Ref. No.	Parts No.	Description	Q'ty	250 400											Remarks		
				HOLLAND	FRANCE	GERMANY	SWITZERLAND	BEIGIUM	SPAIN	DENMARK	NORWAY	AUSTRIA	ENGLAND	ITALY			
39- 1	1U4-84710-40	TAIL LAMP UNIT ASS'Y	1 1			x				x							
	1U4-84710-70	TAIL LAMP UNIT ASS'Y	1 1	x	x		x	x			x	x	x	x			
39- 2	1U4-84711-40	. BASE, tail lamp	1 1	x	x	x	x	x	x		x	x	x	x			
39- 3	1A0-84723-60	. GASKET, tail lamp	1 1	x	x	x	x	x	x		x	x	x	x			
39- 4	1A2-84721-40	. LENS, tail lamp	1 1			x				x							
	1A2-84721-70	. LENS, tail lamp	1 1	x	x		x	x			x	x	x	x			
39- 5	1A2-84718-40	. GROMMET	1 1			x				x							
39- 6	98581-04054	. SCREW, panhead	2 2	x	x	x	x	x	x		x	x	x	x			
39- 7	1A2-84714-40	BULB, tail lamp(12V-21/5W)	2 2	x	x	x	x	x	x		x	x	x	x			
39- 8	1A0-84712-60	SEAT, base	1 1	x	x	x	x	x	x		x	x	x	x			
39- 9	1A0-84726-60	SCREW	2 2	x	x	x	x	x	x		x	x	x	x			
39-10	437-84525-60	WASHER, special	2 2	x	x	x	x	x	x		x	x	x	x			
39-11	1U4-84751-20-33	BRACKET, licence	1 1	x	x					x					x	x	x
	1U4-84751-40-33	BRACKET, licence	1 1			x	x				x						
39-12	1A2-84753-00	DAMPER	1 1	x	x	x	x	x	x		x	x	x	x			
39-13	1A2-84753-10	DAMPER	4 4	x	x	x	x	x	x		x	x	x	x			
39-14	90109-06022	BOLT	4 4	x	x	x	x	x	x		x	x	x	x			
39-15	92901-08200	WASHER, plain	4 4	x	x	x	x	x	x		x	x	x	x			
39-16	92901-06100	WASHER, spring	4 4	x	x	x	x	x	x		x	x	x	x			
39-17	95301-06600	NUT, hexagon	4 4	x	x	x	x	x	x		x	x	x	x			
39-18	1A0-84717-00	CORD, tail lamp	1 1	x	x					x					x	x	x
	1A2-84717-40	CORD, tail lamp	1 1			x	x			x	x						
39-19	90480-12013	GROMMET (152-84158-00)	1 1	x	x	x	x	x	x		x	x	x	x			
39-20	90480-12067	GROMMET	1 1	x	x	x	x	x	x		x	x	x	x			
39-21	341-26397-01	BAND	1 1	x	x	x	x	x	x		x	x	x	x			

Fig. 40 FLASHER LAMP 1

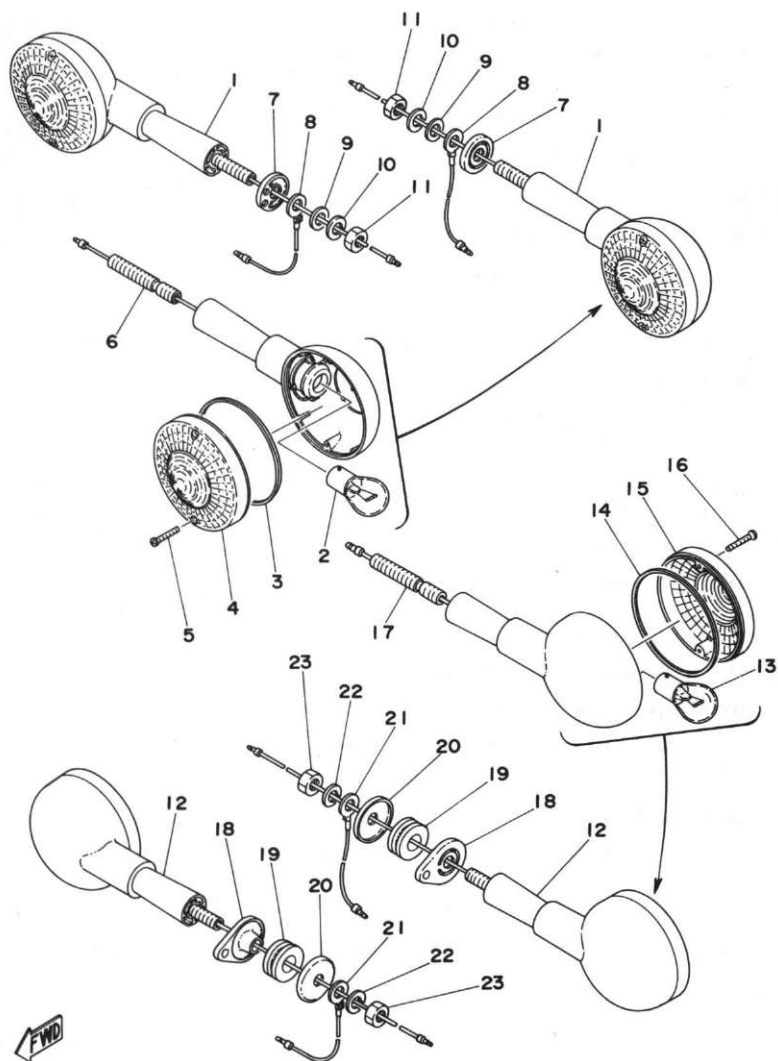


FWD

Ref. No.	Parts No.	Description	Q'ty												Remarks		
				FRANCE	HOLLAND	WEST GERMANY	SWITZERLAND	BEELGIUM	SWEDEN	FINLAND	DENMARK	NORWAY	AUSTRIA	ENGLAND		ITALY	
			250 400														
40- 1	366-83310-41-93	FRONT FLASHER LAMP ASS'Y, left .....	1 1			x x								x			
40- 2	366-83320-41-93	FRONT FLASHER LAMP ASS'Y, right .....	1 1			x x								x			
40- 3	341-83313-70	. GASKET, flasher lens ..	2 2			x x								x			
40- 4	341-83312-70	. LENS, flasher .....	2 2			x x								x			
40- 5	341-83333-70	. SCREW, lens fitting ...	4 4			x x								x			
40- 6	341-83367-00	. BOLT, stud .....	2 2			x x								x			
40- 7	306-83311-40	BULB, flasher (12V-21W) .	2 2			x x								x			*
40- 8	360-83316-00	COLLAR, flasher front ..	2 2			x x								x			
40- 9	371-82519-00	WIRE, earth lead .....	2 2			x x								x			
40-10	92901-08200	WASHER, plain .....	2 2			x x								x			
40-11	92901-08100	WASHER, spring .....	2 2			x x								x			
40-12	95301-08600	NUT, hexagon .....	2 2			x x								x			
40-13	533-83330-40-93	REAR FLASHER LAMP ASS'Y, left .....	1 1			x x								x			
40-14	533-83340-40-93	REAR FLASHER LAMP ASS'Y, right .....	1 1			x x								x			
40-15	341-83313-70	. GASKET, flasher lens...	2 2			x x								x			
40-16	366-83312-40	. LENS, flasher .....	2 2			x x								x			
40-17	341-83333-70	. SCREW, lens fitting ....	4 4			x x								x			
40-18	306-83311-40	BULB, flasher (12V-21W) .	2 2			x x								x			*
40-19	360-83326-00	COLLAR, flasher rear ..	2 2			x x								x			
40-20	90480-18128	GROMMET (360-83321-00)	2 2			x x								x			
40-21	90201-08612	WASHER, plate .....	2 2			x x								x			
40-22	256-83336-01	CORD .....	2 2			x x								x			
40-23	92901-08100	WASHER, spring .....	2 2			x x								x			
40-24	95301-08600	NUT, hexagon .....	2 2			x x								x			

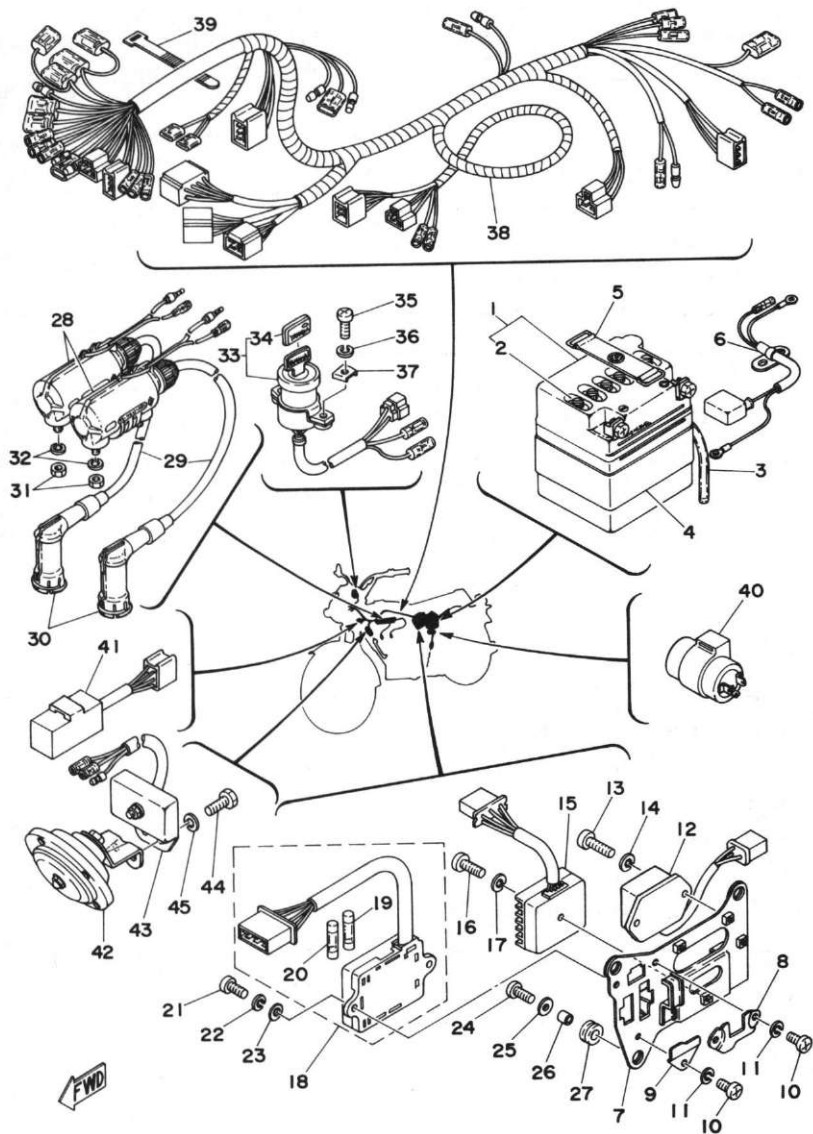


Fig. 41 FLASHER LAMP 2



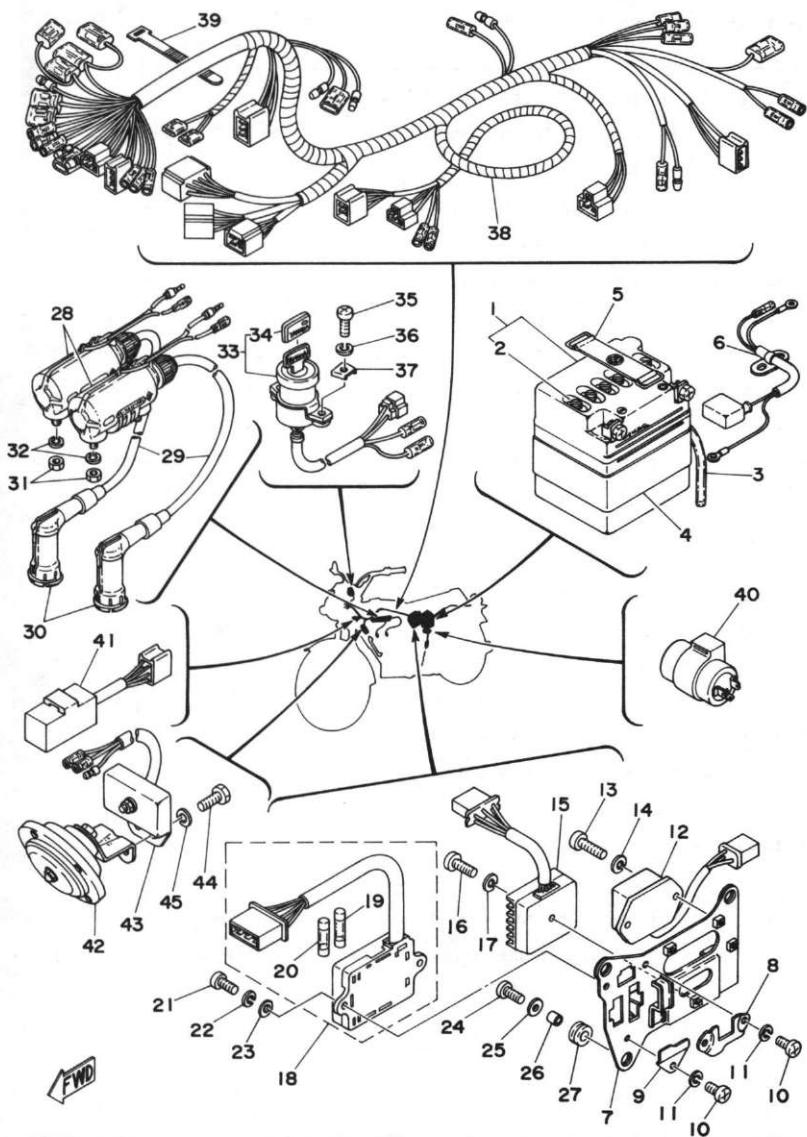
Ref. No.	Parts No.	Description	Q'ty	250 400											Remarks
				FRANCE	HOLLAND	W. GERMANY	SWITZERLAND	BEIJING	SWEDEN	FINLAND	DENMARK	NORWAY	ENGLAND	AUSTRIA	
41- 1	360-83310-71-93	FRONT FLASHER LAMP ASS'Y .....	2 2	x x				x x					x x x		
41- 2	256-83311-70	. BULB, flasher (12V-32CP)	2 2	x x				x x					x x x		
41- 3	341-83313-70	. GASKET, flasher lens	2 2	x x				x x					x x x		
41- 4	341-83312-70	. LENS, flasher .....	2 2	x x				x x					x x x		
41- 5	341-83333-70	. SCREW, lens fitting ..	4 4	x x				x x					x x x		
41- 6	360-83367-00	. BOLT, stud .....	4 4	x x				x x					x x x		
41- 7	360-83316-00	COLLAR, flasher front ..	2 2	x x				x x					x x x		
41- 8	371-82519-00	WIRE, earth lead .....	2 2	x x				x x					x x x		
41- 9	92901-08200	WASHER, plain .....	2 2	x x				x x					x x x		
41-10	92901-08100	WASHER, spring .....	2 2	x x				x x					x x x		
41-11	95301-08600	NUT, hexagon .....	2 2	x x				x x					x x x		
41-12	360-83330-21-93	REAR FLASHER LAMP ASS'Y .....	2 2	x x				x x					x x		
	521-83330-50-93	REAR FLASHER LAMP ASS'Y .....	2 2										x		
41-13	256-83311-70	. BULB, flasher (12V-32CP) .....	2 2	x x				x x					x x x		
41-14	341-83313-70	. GASKET, flasher lens	2 2	x x				x x					x x x		
41-15	341-83312-70	. LENS, flasher .....	2 2	x x				x x					x x		
	366-83312-40	. LENS, flasher .....	2 2										x		
41-16	341-83333-70	. SCREW, lens fitting ..	4 4	x x				x x					x x x		
41-17	360-83367-00	. BOLT, stud .....	2 2	x x				x x					x x x		
41-18	360-83326-00	COLLAR, flasher rear ..	2 2	x x				x x					x x x		
41-19	90480-18128	GROMMET (360-83321-00)	2 2	x x				x x					x x x		
41-20	90201-08612	WASHER, plate .....	2 2	x x				x x					x x x		
41-21	256-83336-01	CORD .....	2 2	x x				x x					x x x		
41-22	92901-08100	WASHER, spring .....	2 2	x x				x x					x x x		
41-23	95301-08600	NUT, hexagon .....	2 2	x x				x x					x x x		

Fig. 42 ELECTRICAL



Ref. No.	Parts No.	Description	Q'ty		FRANCE	HOLLAND	W. GERMANY	SWITZERLAND	BELGIUM	SWEDEN	FINLAND	DENMARK	NORWAY	ENGLAND	AUSTRIA	ITALY	Remarks
				250 400													
42- 1	118-82110-71	BATTERY ASS'Y	.....	} U.R.U.R 1 1													
	118-82110-80	BATTERY ASS'Y	.....														
42- 2	104-82111-20	. CAP, battery	.....	6 6													
42- 3	90445-08047	HOSE (168-82112-00 5-580)	.....	1 1													
42- 4	235-82124-00	BAND, battery	.....	1 1													
42- 5	122-82131-00	BAND, battery	.....	1 1													
42- 6	1A0-82117-00	WIRE, lead	.....	1 1													
42- 7	1A0-21543-01	PLATE 1	.....	1 1													
42- 8	1A0-21544-00	PLATE 2	.....	1 1													
42- 9	1A0-21545-00	PLATE 3	.....	1 1													
42-10	92501-06010	SCREW, panhead	.....	3 3													
42-11	92901-06100	WASHER, spring	.....	3 3													
42-12	1A0-81910-11	VOLTAGE REGULATOR ASS'Y	.....	1 1													
42-13	92501-06030	SCREW, panhead	.....	2 2													
42-14	92901-06100	WASHER, spring	.....	2 2													
42-15	1A0-81970-20	RECTIFIER ASS'Y	.....	} U.R.U.R 1 1													
	1A0-81970-60	RECTIFIER ASS'Y	.....														
42-16	92501-06020	SCREW, panhead	.....	1 1													
42-17	92901-06100	WASHER, spring	.....	1 1													
42-18	1A0-82170-00	FUSE BOX ASS'Y	.....	1 1													
42-19	1A0-82151-00	. FUSE (10A)	.....	4 4													
42-20	1A0-82161-00	. FUSE (20A)	.....	2 2													
42-21	98501-05015	SCREW, panhead	.....	2 2													
42-22	92901-05100	WASHER, spring	.....	2 2													
42-23	92901-05600	WASHER, plate	.....	2 2													
42-24	92501-06018	SCREW, panhead	.....	3 3													

Fig. 42 ELECTRICAL



Ref. No.	Parts No.	Description	Q'ty	250 400											Remarks			
				FRANCE	ENGLAND	IRELAND	NETHERLANDS	GERMANY	FINLAND	DENMARK	SPAIN	AUSTRIA	ITALY	INDONESIA				
42-25	90201-06053	WASHER, plate (811-77728-00)	3 3	x	x	x	x	x	x	x	x	x	x	x	x	x	x	
42-26	90387-07389	COLLAR (256-21544-00)	3 3	x	x	x	x	x	x	x	x	x	x	x	x	x	x	
42-27	90480-13018	GROMMET	3 3	x	x	x	x	x	x	x	x	x	x	x	x	x	x	
42-28	1A0-82310-10	IGNITION COIL ASS'Y	2 2	x	x	x	x	x	x	x	x	x	x	x	x	x	x	
42-29	183-82341-00	CORD, high tension	2 2	x	x	x	x	x	x	x	x	x	x	x	x	x	x	
42-30	808-82370-10	PLUG CAP ASS'Y	2 2	x	x	x	x	x	x	x	x	x	x	x	x	x	x	
	1A2-82370-10	PLUG CAP ASS'Y	2 2	x	x	x	x	x	x	x	x	x	x	x	x	x	x	
42-31	95301-06600	NUT, hexagon	4 4	x	x	x	x	x	x	x	x	x	x	x	x	x	x	
42-32	92901-06100	WASHER, spring	4 4	x	x	x	x	x	x	x	x	x	x	x	x	x	x	
42-33	1A2-82508-40	MAIN SWITCH ASS'Y	1 1	x	x		x	x	x	x	x	x	x	x	x	x	x	
	1A2-82508-45	MAIN SWITCH ASS'Y	1 1				x											
42-34	526-82579-00	. CAP, key	1 1				x											
42-35	98501-05018	SCREW, panhead	2 2	x	x	x	x	x	x	x	x	x	x	x	x	x	x	
42-36	92901-05100	WASHER, spring	2 2	x	x	x	x	x	x	x	x	x	x	x	x	x	x	
42-37	533-82517-00	WASHER, special	2 2	x	x	x	x	x	x	x	x	x	x	x	x	x	x	
42-38	1A0-82590-63	WIRE HARNESS ASS'Y	1 1	x	x			x	x									
	1A2-82590-41	WIRE HARNESS ASS'Y	1 1				x	x										
42-39	803-82591-00	BAND	2 2	x	x	x	x	x	x	x	x	x	x	x	x	x	x	
42-40	1E7-83350-40	FLASHER RELAY ASS'Y	1 1				x	x										
	1A0-83350-70	FLASHER RELAY ASS'Y	1 1	x	x				x	x								
42-41	1A0-83395-02	FLASHER CANCELLING UNIT	1 1	x	x				x	x								
	1E7-83395-02	FLASHER CANCELLING UNIT	1 1				x	x										
42-42	1A0-83371-21	HORN	1 1	x			x	x	x									
	1A2-83371-51	HORN	1 1				x											
42-43	1A0-85370-10	RESISTOR ASS'Y	1 1	x	x	x	x	x	x	x	x	x	x	x	x	x	x	
42-44	97321-06016	BOLT, hexagon	2 2	x	x	x	x	x	x	x	x	x	x	x	x	x	x	
42-45	92901-06100	WASHER, spring	2 2	x	x	x	x	x	x	x	x	x	x	x	x	x	x	



# REPAIR KIT





Fig. 4.3 REPAIR KIT

Ref. No.	Parts No.	Description	Q'ty		Applicable Machine No.	Remarks	
			250	400			
43- 1	1A0-11630-00	PISTON ASS'Y (STD) .....	2s				
	1A0-11630-10	PISTON ASS'Y (1st O.S) .....	2s				
	1A0-11630-20	PISTON ASS'Y (2nd O.S) .....	2s				
	1A0-11630-30	PISTON ASS'Y (3rd O.S) .....	2s				
	1A0-11630-40	PISTON ASS'Y (4th O.S) .....	2s				
	1A1-11630-00	PISTON ASS'Y (STD) .....		2s			
	1A1-11630-10	PISTON ASS'Y (1st O.S) .....		2s			
	1A1-11630-20	PISTON ASS'Y (2nd O.S) .....		2s			
	1A1-11630-30	PISTON ASS'Y (3rd O.S) .....		2s			
	1A1-11630-40	PISTON ASS'Y (4th O.S) .....		2s			
43- 2	1A0-11631-00-96	. PISTON (STD) .....	} U.R	2	} Ref. No. 4-14		
	1A0-11631-00-98	. PISTON (STD) .....					
	1A0-11635-00	. PISTON (1st O.S) .....		2			
	1A0-11636-00	. PISTON (2nd O.S) .....		2			
	1A0-11637-00	. PISTON (3rd O.S) .....		2			
	1A0-11638-00	. PISTON (4th O.S) .....		2			
	1A1-11631-00-96	. PISTON (STD) .....	} U.R	2			
	1A1-11631-00-98	. PISTON (STD) .....					
	1A1-11635-00	. PISTON (1st O.S) .....		2			
	1A1-11636-00	. PISTON (2nd O.S) .....		2			
	1A1-11637-00	. PISTON (3rd O.S) .....		2			
	1A1-11638-00	. PISTON (4th O.S) .....		2			

Ref. No.	Parts No.	Description	Q'ty		Applicable Machine No.	Remarks
			250	400		
43- 3	1A0-11610-00	. PISTON RING SET (STD) . . . . .	2s			} Ref. No. 4-15
	1A0-11610-10	. PISTON RING SET (1st O.S)...	2s			
	1A0-11610-20	. PISTON RING SET (2nd O.S) ..	2s			
	1A0-11610-30	. PISTON RING SET (3rd O.S) ..	2s			
	1A0-11610-40	. PISTON RING SET (4th O.S) ..	2s			
	1A1-11610-00	. PISTON RING SET (STD) . . . . .	2s			
	1A1-11610-10	. PISTON RING SET (1st O.S)...	2s			
	1A1-11610-20	. PISTON RING SET (2nd O.S) ..	2s			
	1A1-11610-30	. PISTON RING SET (3rd O.S) ..	2s			
1A1-11610-40	. PISTON RING SET (4th O.S) ..	2s				
43- 4	280-11633-00	. PIN, piston . . . . .	2			4-16
	278-11633-00	. PIN, piston . . . . .	2			4-16
43- 5	93450-17025	. CIRCLIP (137-11634-00) . . . . .	4	4		4-17
43- 6	1A0-11650-00	CONNECTING ROD ASS'Y . . . . .	2s			
	1A1-11650-00	CONNECTING ROD ASS'Y . . . . .	2s			
43- 7	278-11681-00	. PIN, crank . . . . .	2			4-6
	1A1-11681-00	. PIN, crank . . . . .	2			4-6
43- 8	360-11651-00	. ROD, connecting . . . . .	2			4-7
	1A1-11651-00	. ROD, connecting . . . . .	2			4-7
43- 9	93310-42231	. BEARING, con-rod big end ...	2	2		4-8
43-10	90209-22071	. WASHER (164-11685-00) . . . . .	4	2		4-9
43-11	93310-216A3	. BEARING, con-rod small end	2			4-13
	93310-216E1	. BEARING, con-rod small end	2			4-13
43-12	1A2-W0001-00	GASKET KIT . . . . .	1s			
	1N9-W0001-00	GASKET KIT . . . . .	1s			Exclusive for W. Germany
	1A3-W0001-00	GASKET KIT . . . . .	1s			
43-13	1A2-11181-00	. GASKET, cylinder head . . . . .	2			1-2
	1N9-11181-00	. GASKET, cylinder head . . . . .	2			Exclusive for W. Germany
	1A3-11181-00	. GASKET, cylinder head . . . . .	2			1-2

Fig. 43 REPAIR KIT

Ref. No.	Parts No.	Description	Q'ty		Applicable Machine No.	Remarks
			250	400		
43-14	278-11351-01	. GASKET, cylinder	2	2		Ref. No. 1-5
43-15	137-15353-00	. GASKET, drain plug	1	1		2-14
43-16	1A0-15455-00	. GASKET, generator cover	1	1		3-7
43-17	1A0-15457-00	. GASKET, cap cover	1	1		3-11
43-18	1A0-15461-00	. GASKET, crankcase cover right	1	1		3-16
43-19	1A0-15456-00	. GASKET, oil pump cover	1	1		3-20
43-20	93210-27194	. O-RING (2.5-27)	1	1		3-23
43-21	360-11526-00	. SEAL, crank shaft	1	1		4-26
43-22	93211-10232	. O-RING(5.7-109.6)	1	1		5-11
43-23	137-15353-00	. GASKET, drain plug	1	1		7-31
43-24	93210-29147	. O-RING (2.4-29.4)	1	1		7-33
43-25	93210-13016	. O-RING (1.8-13)	1	1		10-11
43-26	93210-07100	. O-RING (2.2-7.2)	1	1		10-13
43-27	314-13621-02	. PACKING, valve seat	2			11-38
	1A1-13621-00	. PACKING, valve seat		2		11-38
43-28	360-14184-01	. GASKET, float chamber	2	2		12-10
43-29	360-14714-00	. GASKET, muffler joint	2			13-6
	1A1-14714-02	. GASKET, muffler joint		2		13-6
43-30	1A0-14613-00	. GASKET, exhaust	2	2		13-11
43-31	126-13116-00	. GASKET, pump case	1	1		14-1
43-32	90430-04004	. GASKET (137-13187-00)	1	1		14-20
43-33	1A0-W0003-00	OIL SEAL KIT		1s		
	1A1-W0003-00	OIL SEAL KIT			1s	
43-34	93103-20076	. OIL SEAL (SW-20-40-10 special)	1	1		4-18
43-35	93103-40077	. OIL SEAL (SW-40-62-10 special)	1	1		4-21
43-36	237-15389-00	. SEAL, push rod	1	1		5-19
43-37	214-16347-01	. SEAL, dust	1	1		5-21
43-38	93102-35054	. OIL SEAL (SD-35-62-6)	1	1		6-34
43-39	93101-12004	. OIL SEAL (S-12-22-5)	1	1		8-18

Ref. No.	Parts No.	Description	Q'ty		Applicable Machine No.	Remarks
			250	400		
43-40	93104-11056	. OIL SEAL (S-12-17-2.5) . . . . .		1		8-20
43-41	93104-20007	. OIL SEAL (SO-20-30-4.5) . . . . .	1	1		9-9
43-42	93101-10002	. OIL SEAL (S-10-22-7) . . . . .	1	1		14-5
43-43	351-25196-90	SPOKE SET, inner (10PCS) . . . . .	1s	1s		Alternate Parts
43-44	351-25197-90	SPOKE SET, outer (10PCS) . . . . .	1s	1s		Alternate Parts
43-45	1A3-25396-90	SPOKE SET, inner left (10PCS) . . . . .	1s	1s		Alternate Parts
43-46	1A3-25397-90	SPOKE SET, outer left (10PCS) . . . . .	1s	1s		Alternate Parts
43-47	1A3-25391-90	SPOKE SET, inner right (10PCS) . . . . .	1s	1s		Alternate Parts
43-48	1A3-25392-90	SPOKE SET, outer right (10PCS) . . . . .	1s	1s		Alternate Parts





# NUMERICAL INDEX



# NUMERICAL INDEX

Ref No.	Parts No.	Ref No.	Parts No.	Ref No.	Parts No.
43-33	1A0-W0003-00	11- 8	1A0-14419-01	17-12	1A0-21107-00
1-10	1A0-11162-02	11- 9	1A0-14431-00	17- 5	1A0-21170-01-33
4-15	1A0-11610-00	11-20	1A0-14435-01	16- 8	1A0-21315-00
4-15	1A0-11610-10	11-19	1A0-14437-00	16- 9	1A0-21316-00
4-15	1A0-11610-20	11-10	1A0-14441-00	16- 2	1A0-21317-00-33
4-15	1A0-11610-30	11- 2	1A0-14451-01	20-11	1A0-21445-01-33
4-15	1A0-11610-40	11-27	1A0-14453-01	20-12	1A0-21446-01-33
43- 1	1A0-11630-00	11- 4	1A0-14457-01	21- 1	1A0-21510-02-93
43- 1	1A0-11630-10	11-11	1A0-14467-01	21- 4	1A0-21518-00
43- 1	1A0-11630-20	13- 8	1A0-14611-00	42- 7	1A0-21543-01
43- 1	1A0-11630-30	13-10	1A0-14612-01	42- 8	1A0-21544-00
43- 1	1A0-11630-40	13-11	1A0-14613-00	42- 9	1A0-21545-00
4-14	1A0-11631-00-96	13- 9	1A0-14621-00	21- 5	1A0-21610-10-93
4-14	1A0-11631-00-98	13- 1	1A0-14710-00	21- 6	1A0-21629-00
4-14	1A0-11635-00	13- 2	1A0-14720-00	16-19	1A0-21645-10
4-14	1A0-11636-00	12-22	1A0-14991-00	27-20	1A0-21745-01
4-14	1A0-11637-00	2- 1	1A0-15100-01	17-10	1A0-21746-01
4-14	1A0-11638-00	3- 1	1A0-15411-00	27- 1	1A0-21751-00-E8
43- 6	1A0-11650-00	3- 6	1A0-15415-00	27- 1	1A0-21751-00-20
14-10	1A0-13101-01	3-19	1A0-15416-00	27- 1	1A0-21751-00-26
14- 8	1A0-13178-00	3-10	1A0-15417-00	27- 1	1A0-21751-00-29
11-31	1A0-13610-00	3-13	1A0-15421-00	27- 4	1A0-21771-00
11-32	1A0-13613-00	3- 8	1A0-15435-00	27- 3	1A0-21792-00
11-37	1A0-13624-00	3-14	1A0-15435-00	18- 6	1A0-22128-00
12-25	1A0-14112-25	3- 7	1A0-15455-00	18- 8	1A0-22149-00
12-26	1A0-14113-25	3-20	1A0-15456-00	18-15	1A0-22311-00-33
12-50	1A0-14169-00	3-11	1A0-15457-00	22-19	1A0-23116-00
12-38	1A0-14171-00	3-16	1A0-15461-00	22-35	1A0-23121-01-33
12-41	1A0-14175-00	3-24	1A0-15491-00	22-17	1A0-23122-00
12-43	1A0-14179-00	3-25	1A0-15497-00	22-14	1A0-23124-01
12-11	1A0-14183-00	4-22	1A0-16111-00	22- 2	1A0-23126-01
12- 8	1A0-14185-00	5- 2	1A0-16150-01	22-36	1A0-23131-01-33
12-48	1A0-14193-00	5- 1	1A0-16301-01	22- 7	1A0-23136-01
12-47	1A0-14196-00	5- 8	1A0-16351-00	22-37	1A0-23164-00
12-46	1A0-14197-00	5- 4	1A0-16371-00	22-13	1A0-23170-02
12-29	1A0-14243-00	6- 1	1A0-17411-00	22-25	1A0-23340-00-33
12-30	1A0-14253-00	6-18	1A0-17420-00	16-22	1A0-23408-00
11- 1	1A0-14411-00	8-12	1A0-18111-00-93	23- 9	1A0-23435-01-98
11- 3	1A0-14412-00	25- 2	1A0-20000-10	26- 4	1A0-24161-00

# NUMERICAL INDEX

Ref No.	Parts No.	Ref No.	Parts No.	Ref No.	Parts No.
26-15	1A0-24181-00	15-27	1A0-81627-10	39-18	1A0-84717-00
26-14	1A0-24186-00	15-30	1A0-81627-10	39- 3	1A0-84723-60
26-16	1A0-24500-02	15-24	1A0-81632-10	39- 9	1A0-84726-60
26-21	1A0-24512-00	15- 2	1A0-81650-10	42-23	1A0-85370-10
26-19	1A0-24521-00	15- 3	1A0-81651-10	27-16	1A0-85720-02
26-22	1A0-24524-01	15- 8	1A0-81661-10	43-33	1A1-W0003-00
26-20	1A0-24529-01	42-12	1A0-81910-11	31- 9	1A1-W0045-00
26-23	1A0-24535-00	42-15	1A0-81970-20	34- 9	1A1-W0045-00
26- 5	1A0-24602-00	42-15	1A0-81970-60	4- 1	1A1-11400-01
28-20	1A0-24705-00	42- 6	1A0-82117-00	4- 2	1A1-11412-01
28-15	1A0-24726-00	42-19	1A0-82151-00	4- 3	1A1-11422-01
25- 6	1A0-25824-01	42-20	1A0-82161-00	4- 4	1A1-11432-01
25- 1	1A0-25850-02	42-18	1A0-82170-00	4- 5	1A1-11442-01
25- 3	1A0-25854-01	42-28	1A0-82310-10	4-15	1A1-11610-00
25- 4	1A0-25855-01	42-38	1A0-82590-63	4-15	1A1-11610-10
25-25	1A0-25871-00	42-40	1A0-83350-70	4-15	1A1-11610-20
25-20	1A0-25872-02	42-42	1A0-83371-21	4-15	1A1-11610-30
25-21	1A0-25876-00	42-41	1A0-83395-02	4-15	1A1-11610-40
25- 5	1A0-25893-01	38-17	1A0-83507-00	43- 1	1A1-11630-00
24-12	1A0-26242-01	38-18	1A0-83508-00	43- 1	1A1-11630-10
24-14	1A0-26243-01	38-16	1A0-83513-00	43- 1	1A1-11630-20
24-15	1A0-26260-00	38- 1	1A0-83519-01	43- 1	1A1-11630-30
24-16	1A0-26335-00	38-15	1A0-83520-01	43- 1	1A1-11630-40
13-24	1A0-27114-00	38-19	1A0-83522-00	4-14	1A1-11631-00-96
20- 1	1A0-27211-00-33	38- 2	1A0-83523-00	4-14	1A1-11631-00-98
19- 7	1A0-27311-00-33	38-11	1A0-83536-01	4-14	1A1-11635-00
19-17	1A0-27412-01	38-13	1A0-83540-02	4-14	1A1-11636-00
19-20	1A0-27413-00	38-12	1A0-83556-01	4-14	1A1-11637-00
19-26	1A0-27414-00	38- 8	1A0-83570-41	4-14	1A1-11638-00
19-25	1A0-27416-00	25-10	1A0-83922-00	4- 7	1A1-11651-00
19-18	1A0-27451-00	24-11	1A0-83975-00-98	4- 6	1A1-11681-00
19-19	1A0-27461-00	25-26	1A0-83980-30	43- 6	1A1-11650-00
15- 1	1A0-81600-10	36- 6	1A0-84315-60	14-10	1A1-13101-01
15- 4	1A0-81610-10	35- 1	1A0-84330-60-33	14- 8	1A1-13178-00
15- 6	1A0-81611-10	36- 1	1A0-84330-60-33	11-31	1A1-13610-00
15- 7	1A0-81612-10	37- 1	1A0-84330-60-33	11-38	1A1-13621-00
15- 5	1A0-81613-10	36-15	1A0-84332-60	13- 8	1A1-14611-00
15-13	1A0-81623-10	36- 7	1A0-84395-60	13- 7	1A1-14615-02
15-20	1A0-81625-10	39- 8	1A0-84712-60	13- 9	1A1-14621-00



# NUMERICAL INDEX

Ref No.	Parts No.	Ref No.	Parts No.	Ref No.	Parts No.
13- 1	1A1-14710-00	32-20	1A1-25387-00	22- 1	1A2-23101-32
13- 6	1A1-14714-02	33-24	1A1-25387-00	22-25	1A2-23340-30-33
13- 2	1A1-14720-00	32-11	1A1-25389-00	26- 1	1A2-24110-00-X5
2- 1	1A1-15100-01	33-15	1A1-25389-00	26- 1	1A2-24110-00-X6
2-21	1A1-15316-00	29-27	1A1-25398-01	26- 1	1A2-24110-00-X7
2-23	1A1-15317-00	32-41	1A1-25398-01	26- 1	1A2-24110-00-X8
2-22	1A1-15326-00	29-27	1A1-25399-00	26- 2	1A2-24244-21
2-24	1A1-15336-00	32-41	1A1-25399-00	26- 3	1A2-24245-21
3- 1	1A1-15411-00	32-28	1A1-25412-01	28- 1	1A2-24730-W0
9- 5	1A1-15621-00	33-32	1A1-25412-01	28- 1	1A2-24730-Y0
4-22	1A1-16111-00	32-24	1A1-25438-20	28- 2	1A2-24731-00
5- 2	1A1-16150-00	33-28	1A1-25438-20	28- 3	1A2-24756-00-E8
5- 1	1A1-16301-00	32-10	1A1-25819-00-33	28- 3	1A2-24756-00-20
6- 8	1A1-17121-00	33-14	1A1-25819-00-33	28- 3	1A2-24756-00-26
6- 5	1A1-17131-00	20-31	1A1-25852-00	28- 3	1A2-24756-00-29
6-36	1A1-17461-70	20-40	1A1-25872-52	28- 9	1A2-24773-00
8-12	1A1-18111-00-93	34-20	1A1-25875-02	28-29	1A2-24785-10-E8
16- 1	1A1-21110-00-33	20-28	1A1-25894-01	28-29	1A2-24785-10-20
16- 8	1A1-21315-00	20-38	1A1-25895-00	28-29	1A2-24785-10-26
16- 9	1A1-21315-00	20-25	1A1-25898-50	28-29	1A2-24785-10-29
17- 1	1A1-21721-00-E8	20-24	1A1-25899-50	28-28	1A2-24785-20-E8
17- 1	1A1-21721-00-20	20- 2	1A1-27212-01	28-28	1A2-24785-20-20
17- 1	1A1-21721-00-26	20- 6	1A1-27222-01	28-28	1A2-24785-20-26
17- 1	1A1-21721-00-29	20- 7	1A1-27231-01	28-28	1A2-24785-20-29
20-32	1A1-21798-00	17-17	1A1-28100-10	28- 4	1A2-24786-00
18- 1	1A1-22110-01-33	20-45	1A1-82531-00	31- 8	1A2-25810-10
29- 5	1A1-25115-00	43-12	1A2-W0001-00	34- 8	1A2-25810-50
32- 5	1A1-25115-00	1- 1	1A2-11111-00	25-25	1A2-25871-40
33- 9	1A1-25115-00	1- 2	1A2-11181-00	25-20	1A2-25872-22
29- 1	1A1-25168-00	1- 3	1A2-11311-00	24-15	1A2-26260-20
32- 4	1A1-25317-00	1- 4	1A2-11321-00	19- 1	1A2-27111-00
33- 8	1A1-25317-00	12- 1	1A2-14101-00	19- 7	1A2-27311-00-33
32- 1	1A1-25338-00	12- 2	1A2-14102-00	19-12	1A2-27315-00
32-30	1A1-25363-00	11- 8	1A2-14419-00	19-13	1A2-27315-10
33-34	1A1-25363-00	11- 2	1A2-14451-00	19- 8	1A2-27317-00
32-19	1A1-25367-00	21- 5	1A2-21610-10-93	42-30	1A2-82370-10
33-23	1A1-25367-00	21-19	1A2-21638-00	42-33	1A2-82508-40
32-17	1A1-25377-00	17- 2	1A2-21783-11	42-33	1A2-82508-45
33-21	1A1-25377-00	27- 2	1A2-21784-11	42-38	1A2-82590-41

# NUMERICAL INDEX

Ref No.	Parts No.	Ref No.	Parts No.	Ref No.	Parts No.
42-42	1A2-83371-51	33- 2	1A3-25304-00	20-15	120-27431-00
38- 8	1A2-83570-21	33- 1	1A3-25311-00	20-16	120-27433-00
24- 3	1A2-83972-01-98	43-47	1A3-25391-90	22-33	122-23119-01
35- 5	1A2-84303-21	43-48	1A3-25392-90	22-34	122-23129-00
35- 5	1A2-84303-41	43-45	1A3-25396-90	42- 5	122-82131-00
36- 5	1A2-84303-46	43-46	1A3-25397-90	38-10	123-83516-21
37- 5	1A2-84310-30	20-22	1A3-25850-50	38-14	123-83516-21
35- 7	1A2-84315-45	24- 2	1E6-26241-00	38-28	123-83516-21
37- 6	1A2-84315-45	42-40	1E7-83350-40	14- 1	126-13116-00
35- 6	1A2-84320-21	42-41	1E7-83395-02	12-21	127-14134-00
37- 7	1A2-84320-30	38-27	1J3-83509-70	12- 9	127-14186-00
35- 6	1A2-84320-46	38- 5	1J3-83568-71	5-30	132-16346-00
36- 8	1A2-84320-46	38- 6	1J3-83569-71	8-13	132-18113-01
37-12	1A2-84324-20	28-32	1J7-24722-00	15-21	132-81225-10
39- 7	1A2-84714-40	28-31	1J7-24735-00	15-17	133-81131-10
39-18	1A2-84717-40	28-33	1J7-24777-00	16-25	134-23483-10
39- 5	1A2-94718-40	28-30	1J7-24789-00	16-23	134-23484-10
39- 4	1A2-84721-40	24-23	1J7-26290-01	16-26	134-23485-10
39- 4	1A2-84721-70	24-22	1J7-26290-11	16-24	134-23488-10
39-12	1A2-84753-00	43-12	1N9-W0001-00	9-23	136-17417-00-09
39-13	1A2-84753-10	1- 2	1N9-11181-00	23- 7	136-23415-00
43-12	1A3-W0001-00	13- 8	1N9-14611-00	14-11	137-13137-00-03
1- 1	1A3-11111-01	13- 9	1N9-14621-00	14-11	137-13137-00-05
1-12	1A3-11161-10	35- 9	1R6-84146-30	14-12	137-13138-01
1- 2	1A3-11181-00	36-10	1R6-84146-30	14- 4	137-13176-00
1- 3	1A3-11311-00	28-22	1T4-24741-00	12- 4	137-14143-22
1- 4	1A3-11321-00	28-10	1T4-24742-00	12- 4	137-14143-22
12- 1	1A3-14101-00	28-11	1T4-24796-00	12- 4	137-14143-23
12- 2	1A3-14102-00	39- 1	1U4-84710-40	12- 4	137-14143-24
20-23	1A3-20000-50	39- 1	1U4-84710-70	12- 4	137-14143-24
16- 1	1A3-21110-20-33	39- 2	1U4-84711-40	12- 4	137-14143-26
16- 1	1A3-21110-30-33	39-11	1U4-84751-20-33	12- 5	137-14153-00
16- 1	1A3-21110-41-33	39-11	1U4-84751-40-33	2-16	137-15353-00
16- 1	1A3-21110-80-33	29-17	102-18416-00	7-31	137-15353-00
17- 2	1A3-21783-11	30-21	102-18416-00	17-11	141-21717-00
27- 2	1A3-21784-11	4- 2	104-82111-20	32-14	150-25381-00
18-11	1A3-22210-20	17-13	116-82131-00	33-18	150-25381-00
22- 1	1A3-23101-01	42- 1	118-82110-71	30- 9	152-25115-00
22-15	1A3-23141-00	42- 1	118-82110-80	9- 2	156-15618-01

# NUMERICAL INDEX

Ref No.	Parts No.	Ref No.	Parts No.	Ref No.	Parts No.
18- 2	156-22141-00	10-16	214-17812-00	14-24	278-13174-00
23- 2	156-23411-00	10-12	214-17841-01	2-19	278-15492-01
23- 4	156-23412-00	10-14	214-17847-00	9- 1	278-15611-00-93
30- 3	156-25398-00	8- 5	214-18178-00	9- 5	278-15621-00
33- 3	156-25398-00	22-23	214-23114-00	9-21	278-15641-01
12-28	164-14137-00	22- 5	214-23146-00	6-40	278-15650-00
6-41	164-17417-00-10	22- 9	214-23146-00	9-22	278-15660-01
23- 1	164-23462-00	22- 6	214-23156-00	9-14	278-15666-00
12- 6	168-14190-25	22-10	214-23156-00	9-16	278-15671-01
6-13	168-17428-01-03	26-17	214-24512-00	9-15	278-15676-00
6-31	168-17428-01-03	28-23	214-24724-00	5-16	278-16181-01
6-13	168-17428-01-05	24- 6	214-83912-00	5- 5	278-16367-00
6-31	168-17428-01-05	24- 8	214-83913-00	4-20	278-17424-00
13-21	168-21639-00	36-14	214-84131-61	6-32	278-17424-00
21-13	168-21639-00	42- 4	235-82124-00	6-30	278-17425-00
32-21	168-25389-00	5-19	237-15389-00	10- 8	278-17812-00
33-25	168-25389-00	18- 7	240-22127-00	10- 6	278-17831-00
24-19	168-83936-01	12-34	246-14126-00	10- 2	278-17851-00
16-22	169-23408-10	9-11	248-15668-00	10- 1	278-17861-00
35-12	169-84347-10	28-14	248-24726-00-33	8-19	278-18101-01
36-18	169-84347-10	12-39	256-14135-00	8-10	278-18127-00
12-42	170-14178-00	12-23	256-14956-01	8-15	278-18131-00
21-28	170-21746-00	5-22	256-16396-01	7-24	278-18531-00
32-33	171-25371-00	22-21	256-23142-60	7-25	278-18535-00
33-37	171-25371-00	23-19	256-23442-00-98	7-13	278-18542-00
5-12	174-16356-00	41- 2	256-83311-70	7-28	278-18547-02
23- 6	183-23411-00	41-13	256-83311-70	7-11	278-18566-00
23- 5	183-23412-00	40-22	256-83336-01	18-16	278-22332-00
42-29	183-82341-00	41-21	256-83336-01	22- 3	278-23128-51
12- 3	193-14142-25	12-13	266-14126-00	22- 4	278-23145-51
36-11	195-84324-00	12-12	266-14191-00	22- 8	278-23145-51
36-16	198-84334-61	1- 5	278-11351-01	22-31	278-23181-50
14- 2	214-13175-02	4- 2	278-11412-00	26-10	278-24181-00
12-18	214-14147-00	4- 3	278-11422-00	24- 1	278-26111-01
12- 7	214-14195-00	4- 4	278-11432-00	24-13	278-26249-00
5-15	214-16119-00	4- 5	278-11442-00	19- 1	278-27111-00
5-21	214-16347-01	4-10	278-11515-00	19- 2	278-27112-00
5-26	214-16389-00	4-16	278-11633-00	28-24	278-27114-00
10-10	214-17811-02	4- 6	278-11681-00	19- 7	278-27311-01

# NUMERICAL INDEX

Ref No.	Parts No.	Ref No.	Parts No.	Ref No.	Parts No.
19-16	278-27314-00	30-28	341-25118-00	30- 2	351-25104-00
7-32	278-82540-01	32- 8	341-25118-00	30- 1	351-25111-00
4-16	280-11633-00	33-12	341-25118-00	29-11	351-25135-00
10- 2	280-17851-00	29- 9	341-25137-00	30-15	351-25135-00
35-10	290-84124-21	30-13	341-25137-00	29-16	351-25138-00
22-18	291-23163-61	31- 6	341-25412-00	30-20	351-25138-00
22-22	306-23118-60	34- 6	341-25412-00	29-19	351-25181-00
22-28	306-23167-60	29- 8	341-25149-00	30-23	351-25181-00
22-26	306-23346-60	30-12	341-25149-00	43-43	351-25196-90
29-18	306-25136-00	29-14	341-25191-01	43-44	351-25197-90
30-22	306-25136-00	30-18	341-25191-01	31- 1	351-25831-01
31-13	306-25821-01	29- 7	341-25846-00	34- 1	351-25831-01
34-13	306-25821-01	30-11	341-25846-00	31- 2	351-25832-00
31-14	306-25822-01	25- 7	341-25867-00	34- 2	351-25832-00
34-14	306-25822-01	24-22	341-26290-20	38-29	351-83550-00
31-10	306-25824-00	24-23	341-26290-70	14-17	353-13552-01
34-10	306-25824-00	39-21	341-26397-01	12-20	354-14147-00
31-11	306-25825-01	28-25	341-28185-00	37-11	357-84312-00
34-11	306-25825-01	28-27	341-28188-00	37- 9	359-84312-00
31-15	306-25826-01	24- 5	341-82911-00	4- 1	360-11400-00
34-15	306-25826-01	40- 4	341-83312-70	4-26	360-11526-00
25-22	306-25881-00	41- 4	341-83312-70	4- 7	360-11651-00
40- 7	306-83311-40	41-15	341-83312-70	12-37	360-14124-20
40-18	306-83311-40	40- 3	341-83313-70	12-33	360-14131-00
37-10	306-84347-30	40-15	341-83313-70	12-24	360-14141-38
11-38	314-13621-02	41- 3	341-83313-70	12-24	360-14141-42
23-18	315-23441-00-98	41-14	341-83313-70	12-10	360-14184-01
22-20	321-23115-50	40- 5	341-83333-70	13- 7	360-14713-00
5-18	328-16357-00	40-17	341-83333-70	13- 6	360-14714-00
8- 1	328-18128-00	41- 5	341-83333-70	3-22	360-15363-00
8- 2	328-18151-00	41-16	341-83333-70	5- 3	360-16154-00
7-17	328-18179-00	40- 6	341-83367-00	5-17	360-16154-00
7- 5	328-18185-00	20-43	341-83980-30	5- 6	360-16321-00
7- 7	328-18352-10	35-11	341-84314-20	5-20	360-16340-00
7-20	328-18511-00	35-11	341-84314-40	6-27	360-17211-00
7-21	328-18512-00	36-17	341-84314-40	6-19	360-17221-00
7- 3	328-18561-00	11-30	345-13565-71	6-23	360-17231-00
7-15	328-18562-00	11-33	345-13613-70	6-16	360-17471-00
29-24	341-25118-00	11-34	345-13616-70	7- 9	360-18141-01

# NUMERICAL INDEX

Ref No.	Parts No.	Ref No.	Parts No.	Ref No.	Parts No.
7- 1	360-18541-00	12-16	493-14122-00	12-35	802-14158-00
27- 6	360-21752-00	12-17	493-14133-00	12-36	802-14161-00
27- 8	360-21753-00	2-17	498-15371-00	12-45	802-14173-00
20-29	360-25854-00	5- 7	498-16325-00	42-39	803-82591-00
20-30	360-25855-01	26-18	498-24522-00	42-30	808-82370-10
25-19	360-25862-00	35- 2	498-84145-60	37- 8	817-84314-00
24- 4	360-82910-00	36- 2	498-84145-60	31-12	856-20000-50
41- 1	360-83310-71-93	37- 2	498-84145-60	34-12	856-20000-50
40- 8	360-83316-00	35- 3	498-84163-60	20-20	90101-06288
41- 7	360-83316-00	36- 3	498-84163-60	28-19	90101-06304
40-19	360-83326-00	37- 3	498-84163-60	32-12	90101-08034
41-18	360-83326-00	35- 4	498-84164-60	33-16	90101-08034
41-12	360-83330-21-93	36- 4	498-84164-60	21- 2	90101-08253
41- 6	360-83367-00	37- 4	498-84164-60	31- 7	90101-08352
41-17	360-83367-00	12-44	500-14174-00	34- 7	90101-08352
38-30	360-83560-00	22-32	509-25158-10	13-17	90101-10257
22-24	366-23111-60	1- 9	521-11161-01	16-13	90101-10297
24-20	366-82591-00	1- 9	521-11161-01	16- 3	90105-08033
40- 1	366-83310-41-93	13- 3	521-14753-00	31- 3	90109-06018
40-16	366-83312-40	6- 2	521-17141-00	34- 3	90109-06018
41-15	366-83312-40	6-10	521-17151-00	39-14	90109-06022
40- 2	366-83320-41-93	6- 7	521-17161-00	25-11	90109-06465
28-18	371-24728-00	6-24	521-17241-00	19- 8	90109-08034
15-12	371-81622-10	6-22	521-17261-00	32-34	90109-08184
40- 9	371-82519-00	29-28	521-25188-00	33-38	90109-08184
41- 8	371-82519-00	41-12	521-83330-50-93	32-38	90109-08375
35- 8	371-84312-60	14- 2	522-13175-01	33-42	90109-08375
36- 9	371-84312-60	12-27	522-14116-01	19- 8	90109-08415
11-32	401-13613-00	12-27	522-14116-03	31-16	90109-10041
21-21	413-21621-90	12-19	525-14123-00	34-16	90109-10041
21-22	413-21622-90	42-34	526-82579-00	32-27	90109-12429
21-20	413-21641-00	42-37	533-82517-00	33-31	90109-12429
24- 1	413-26111-21	40-13	533-83330-40-93	5-24	90113-08021
22-12	434-23171-00	40-14	533-83340-40-93	2- 8	90116-08064
27-21	437-21776-00	22-16	584-23144-50	1- 6	90116-08065
16-28	437-83936-10	16-23	584-23484-00	13-12	90116-08166
39-10	437-84525-60	38-20	584-83523-00	1- 6	90116-08232
36-12	438-84392-60	38-23	584-83546-00	2- 7	90116-08232
21-29	449-85131-01	38- 9	584-83578-71	11- 5	90122-06002



# NUMERICAL INDEX

Ref No.	Parts No.	Ref No.	Parts No.	Ref No.	Parts No.
24-17	90123-08046	11-22	90201-06053	21-18	90202-15105
15-31	90143-07022	42-25	90201-06053	16-24	90206-04003
25-13	90146-06008	38- 3	90201-06063	6-39	90206-15055
26-24	90149-06011	21-17	90201-06073	9-20	90206-25059
8- 6	90149-06017	17- 7	90201-06380	9-12	90208-20022
7-30	90149-14031	27-13	90201-06380	18-18	90209-06034
35-13	90152-05005	20- 9	90201-08083	26-13	90209-06139
36-19	90152-05005	23-13	90201-08083	29-25	90209-14136
37-13	90152-05005	21- 3	90201-08097	23-10	90209-17057
5- 9	90159-06010	40-21	90201-08612	6- 6	90209-21105
25-14	90170-06010	41-20	90201-08612	6-20	90209-21105
32-39	90170-08157	19-15	90201-08569	4- 9	90209-22071
33-43	90170-08157	14- 7	90201-08624	31- 5	90215-06106
19- 9	90170-08158	20-42	90201-10118	34- 4	90215-06106
32-35	90170-08158	25-18	90201-10118	8-11	90215-08015
33-39	90170-08158	20-44	90201-10128	4-24	90215-18131
18- 9	90170-14174	10- 4	90201-10135	6-37	90215-21121
4-25	90170-16182	13-20	90201-10140	5-27	90240-06005
5-14	90170-18089	18-13	90201-10140	20- 8	90240-08013
32-22	90170-22097	23-22	90201-10146	19-23	90243-08006
33-26	90170-22097	23-20	90201-12195	26- 8	90249-03123
29-26	90171-14006	1- 7	90201-12362	7-22	90250-08017
30-30	90171-14006	8-17	90201-12575	16-25	90269-04003
32-23	90171-16007	18-12	90201-14218	4-19	90280-04005
33-27	90171-16007	13-22	90201-15239	4-23	90282-07006
18-14	90176-10013	9- 7	90201-15340	16-27	90338-04010
31-19	90176-10013	6- 9	90201-20266	21-26	90338-07043
34-19	90176-10013	6-25	90201-20276	24-21	90338-09012
23-11	90176-16016	20-18	90201-20279	25-16	90338-09012
1- 8	90179-08026	29-10	90201-25286	16-29	90338-18054
24-18	90179-08148	30-14	90201-25286	7-27	90338-22009
5-25	90179-08179	6- 3	90201-25490	2-15	90340-14034
13-23	90179-10123	9-19	90201-25490	2- 5	90380-14040
21-14	90179-10220	29-12	90201-25490	2- 4	90381-08002
6-38	90179-18020	30-16	90201-25490	10-15	90383-10005
23- 8	90179-25033	32-25	90201-66585	27-24	90385-10026
22-29	90185-08054	33-29	90201-66585	23-21	90385-12027
19-24	90201-06042	11- 7	90202-05101	18- 4	90386-22018
20-33	90201-06050	26-25	90202-06010	18-17	90387-07389

# NUMERICAL INDEX

Ref No.	Parts No.	Ref No.	Parts No.	Ref No.	Parts No.
42-26	90387-07389	2-29	90465-06094	19- 5	90507-32028
11-23	90387-07390	11-26	90467-08003	8- 3	90508-08007
17- 8	90387-07390	26-28	90467-08003	19-21	90508-20154
27-14	90387-07390	27-19	90467-08003	19-22	90508-20155
19-14	90387-10255	26-30	90467-09006	9-10	90508-30051
16-10	90387-10516	14-22	90468-02033	8- 9	90508-32055
16-11	90387-12101	14-23	90468-02033	19-11	90508-32177
18- 3	90387-16128	17-16	90468-10050	20- 5	90508-40348
18- 5	90387-16226	28-17	90468-10050	29- 4	90560-17125
29-22	90387-17433	23-25	90468-12006	30- 8	90560-17125
30-26	90387-17433	9-17	90468-26045	11-39	91316-06025
32- 9	93087-17433	17- 4	90480-01141	5-28	91401-10010
33-13	90387-17433	2-30	90480-01148	20-10	91401-16012
6-35	90387-25192	28-26	90480-06007	20-19	91401-16012
25-17	90401-10034	29-19	90480-12013	32-37	91401-20015
20-41	90401-10034	17- 3	90480-12053	33-41	91401-20015
14-15	90430-04004	39-20	90480-12067	19-10	91401-20018
27- 5	90430-27124	42-27	90480-13018	7-23	91401-25020
14-21	90445-05301	11-24	90480-14102	19- 3	91401-30025
14-20	90445-05302	17- 9	90480-14102	29-20	91401-30030
42- 3	90445-08047	27-15	90480-14102	30-24	91401-30030
12-49	90445-09056	13-25	90480-14153	32-15	91401-30030
11-25	90445-09078	40-20	90480-18128	33-19	91401-30030
26-27	90445-09082	41-19	90480-18128	28-16	91501-05055
26-26	90445-09094	14-18	90501-02018	20-17	91501-06035
27-17	90445-09122	7-12	90501-06022	29-15	91609-20014
26-29	90445-10308	27-18	90501-08410	30-19	91609-20014
19- 6	90445-19307	7-29	90501-10062	1-13	91609-30010
19-29	90445-19307	25-15	90501-10312	17-14	91701-05120
2-18	90446-07008	20-46	90501-10406	2- 2	91830-22016
20-39	90460-16068	9- 3	90501-12081	3- 3	91830-22016
27- 9	90460-26007	5-10	90501-23138	3-15	91830-22016
27- 7	90460-30009	9-24	90502-07025	13- 4	92501-06010
11-29	90460-43053	16-26	90502-09024	42-10	92501-06010
11-28	90460-49058	5-29	90506-10069	20-35	92501-06015
2-26	90462-05004	19- 4	90506-35058	34-21	92501-06015
2-27	90462-06025	19-11	90507-25023	11-16	92501-06018
21-27	90464-08020	19-11	90507-25023	18-20	92501-06018
2-28	90465-06093	19- 4	90507-32027	20-34	92501-06018

# NUMERICAL INDEX

Ref No.	Parts No.	Ref No.	Parts No.	Ref No.	Parts No.
42-24	92501-06018	17-15	92901-05600	16-21	92901-08100
18-19	92501-06020	42-23	92901-05600	20-14	92901-08100
27-10	92501-06020	8- 8	92901-06100	20-27	92901-08100
42-16	92501-06020	11-17	92901-06100	23-17	92901-08100
17- 6	92501-06025	13- 5	92901-06100	28-13	92901-08100
42-13	92501-06030	15-34	92901-06100	32-40	92901-08100
15-33	92501-06070	18-21	92901-06100	33-44	92901-08100
3- 5	92506-06020	20- 4	92901-06100	40-11	92901-08100
3-12	92506-06020	20-36	92901-06100	40-23	92901-08100
3-18	92506-06030	21- 8	92901-06100	41-10	92901-08100
3- 4	92506-06035	21-16	92901-06100	41-22	92901-08100
3-17	92506-06040	21-25	92901-06100	2-10	92901-08200
3-21	92506-06045	22-39	92901-06100	16- 7	92901-08200
3- 9	92506-06070	24-10	92901-06100	39-15	92901-08200
6-17	92701-06015	25-24	92901-06100	40-10	92901-08200
7-16	92701-06015	25- 9	92901-06100	41- 9	92901-08200
28-21	92706-06012	26-12	92901-06100	22-30	92901-08600
11-36	92901-03100	34-22	92901-06100	32-36	92901-08600
12-32	92901-03100	38-25	92901-06100	33-40	92901-08600
12-15	92901-04100	39-16	92901-06100	13-18	92901-10100
15-10	92901-04100	42-11	92901-06100	16-15	92901-10100
15-15	92901-04100	42-14	92901-06100	19-28	92901-10100
15-19	92901-04100	42-17	92901-06100	21-11	92901-10100
15-23	92901-04100	42-32	92901-06100	23-23	92901-10100
15-29	92901-04100	42-45	92901-06100	31-17	92901-10100
15-11	92901-04200	2-14	92901-06200	34-17	92901-10100
15-16	92901-04200	11- 6	92901-06200	13-19	92901-10200
15-26	92901-04200	20-37	92901-06200	21-12	92901-10600
11-13	92901-05100	38-24	92901-06200	31-18	92901-10600
14-13	92901-05100	11-18	92901-06600	34-18	92901-10600
21-30	92901-05100	21- 9	92901-06600	22-27	92901-12100
26- 7	92901-05100	27-11	92901-06600	29-25	92901-14200
28- 6	92901-05100	27-23	92901-06600	30-29	92901-14200
36-13	92901-05100	34-23	92901-06600	23-14	92903-08100
42-22	92901-05100	13-14	92901-08100	38-32	92906-04100
42-36	92901-05100	13-16	92901-08100	38-33	92906-04600
11-14	92901-05200	15-32	92901-08100	14- 5	93101-10002
28- 7	92901-05200	16- 6	92901-08100	8-18	93101-12004
38-21	92901-05200	16-18	92901-08100	29-23	93102-28022



# NUMERICAL INDEX

Ref No.	Parts No.	Ref No.	Parts No.	Ref No.	Parts No.
30-27	93102-28022	6-11	93410-20009	30- 5	94227-18095
32- 7	93102-28022	6-28	93410-20009	32- 2	94232-18020
33-11	93102-28022	9-13	93410-20009	33- 5	94232-18020
32-18	93102-28023	7-10	93410-30012	32- 3	94232-18097
33-22	93102-28023	32-26	93410-65040	32- 3	94232-18097
6-34	93102-35054	33-30	93410-65040	30- 6	94327-18008
4-18	93103-20076	26- 9	93430-02001	33- 6	94327-18008
4-21	93103-40077	8- 4	93430-07012	30- 7	94416-18068
8-20	93104-11056	10- 5	93430-08006	33- 7	94418-18181
9- 9	93104-20007	14- 6	93430-08006	32-31	94585-30096
29-13	93105-45017	7-26	93430-10016	33-35	94585-30096
30-17	93105-45017	8-16	93430-10016	32-32	94685-30011
10-13	93210-07100	9- 8	93430-10016	33-36	94685-30011
2-25	93210-11073	10- 7	93430-10016	1-11	94701-00044
10-11	93210-13016	6- 4	93440-25019	1-11	94701-00045
3-23	93210-27194	6-21	93440-25019	28-34	95301-04600
7-33	93210-29147	9-18	93440-25019	11-15	95301-05600
5-11	93211-10232	6-15	93440-52009	14-14	95301-05600
12-40	93220-09001	4-17	93450-17025	21-31	95301-05600
6-14	93305-20502	22-11	93450-30033	28- 8	95301-05600
4-11	93306-20604	23- 3	93501-04011	24- 9	95301-06100
29-21	93306-30303	5-13	93505-16006	8- 7	95301-06600
32- 6	93306-30303	14-19	93505-32002	21-15	95301-06600
30-10	93306-30306	9- 4	93507-32009	21-24	95301-06600
30-25	93306-30307	2- 6	93603-14026	31- 4	95301-06600
33-10	93306-30307	10- 3	93603-22028	34- 5	95301-06600
29- 6	93306-30309	14- 3	93603-22028	38- 4	95301-06600
33-20	93306-30404	7-19	93604-08071	39-17	95301-06600
32-16	93306-30417	7- 6	93604-14012	42-31	95301-06600
6-33	93306-30504	7- 2	93604-22050	20-21	95301-06700
4-12	93306-30508	3- 2	93700-06004	2- 9	95301-08600
4-13	93310-216A3	18-10	93700-06004	40-12	95301-08600
4-13	93310-216E1	29- 2	94130-18225	40-24	95301-08600
6-26	93310-22057	30- 4	94130-18225	41-11	95301-08600
4- 8	93310-42231	32- 2	94132-18223	41-23	95301-08600
6-12	93311-22005	33- 4	94132-18223	20-47	95301-08700
6-29	93311-42006	32- 2	94135-18224	32-13	95301-08700
7- 8	93315-23612	32- 2	94135-18224	33-17	95301-08700
6-42	93410-15005	29- 3	94227-18093	19- 9	95301-08900

# NUMERICAL INDEX

Ref No.	Parts No.	Ref No.	Parts No.	Ref No.	Parts No.
23-24	95301-10700	2-11	97321-06090		
38-22	95303-05800	20-13	97321-08020		
38-26	95303-06800	9- 6	97321-08030		
13-13	95303-08600	23-16	97323-08030		
23-15	95303-08800	23-12	97323-08055		
32-29	95311-12700	12-31	98501-03010		
33-33	95311-12700	15-18	98501-04008		
25-12	95601-06100	15-28	98501-04008		
16- 5	95701-08100	15-14	98501-04010		
16-17	95701-08100	15-22	98501-04010		
16-14	95701-10100	15-25	98501-04010		
19-27	95701-10100	26- 6	98501-05008		
16- 4	98521-08055	2-20	98501-05010		
16-16	95821-08070	7-18	98501-05010		
16-12	98521-10070	38- 7	98501-05010		
16-12	95821-10080	5-23	98501-05012		
58- 5	97301-05015	14- 9	98501-05015		
10-17	97301-06010	42-21	98501-05015		
22-38	97301-06012	42-35	98501-05018		
26-11	97301-06012	11-12	98501-05025		
21- 7	97301-06016	11-35	98502-03010		
21-23	97301-06016	12-14	98503-04015		
11-21	97301-06020	15- 9	98503-04015		
24- 7	97301-06022	38-31	98506-04020		
25- 8	97301-06025	3-26	98506-05012		
25-23	97301-06025	11-35	98512-03008		
27-22	97301-06050	39- 6	98581-04054		
28-12	97301-08014	7-14	98701-05012		
13-15	97301-08016	7-34	98701-05012		
28-26	97301-08016	10- 9	98701-05012		
16-20	97301-08020	7- 4	98701-05020		
21-10	97301-10035	14-16	98901-04008		
27-12	97302-06025				
8-14	97311-06020				
42-44	97321-06016				
20- 3	97321-06030				
3-13	97321-06045				
2- 3	97321-06055				
2-12	97321-06055				



**YAMAHA MOTOR CO., LTD.**

PRINTED IN JAPAN  
First edition Nov., 1976  
(1N9-28198-E5)